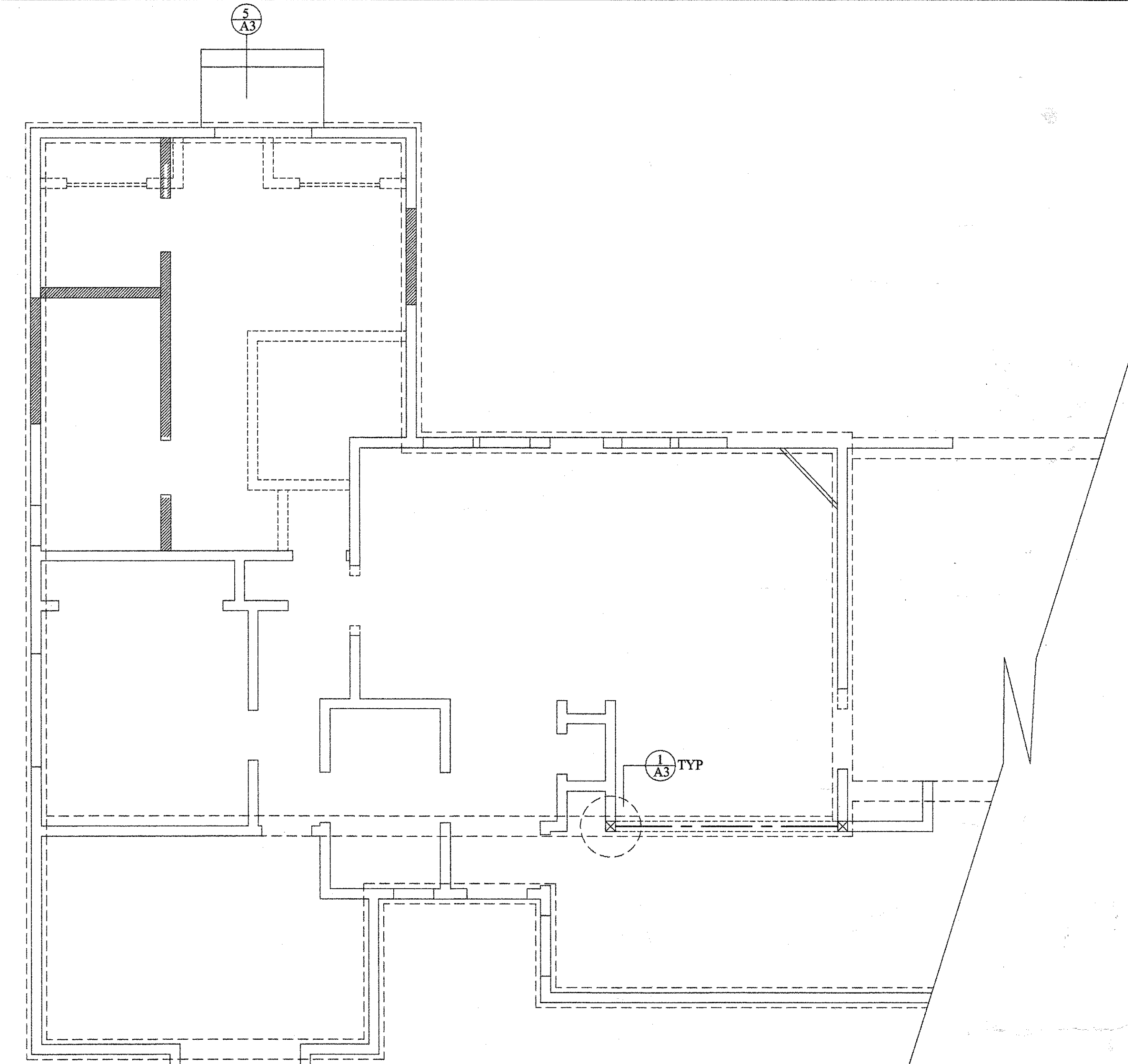
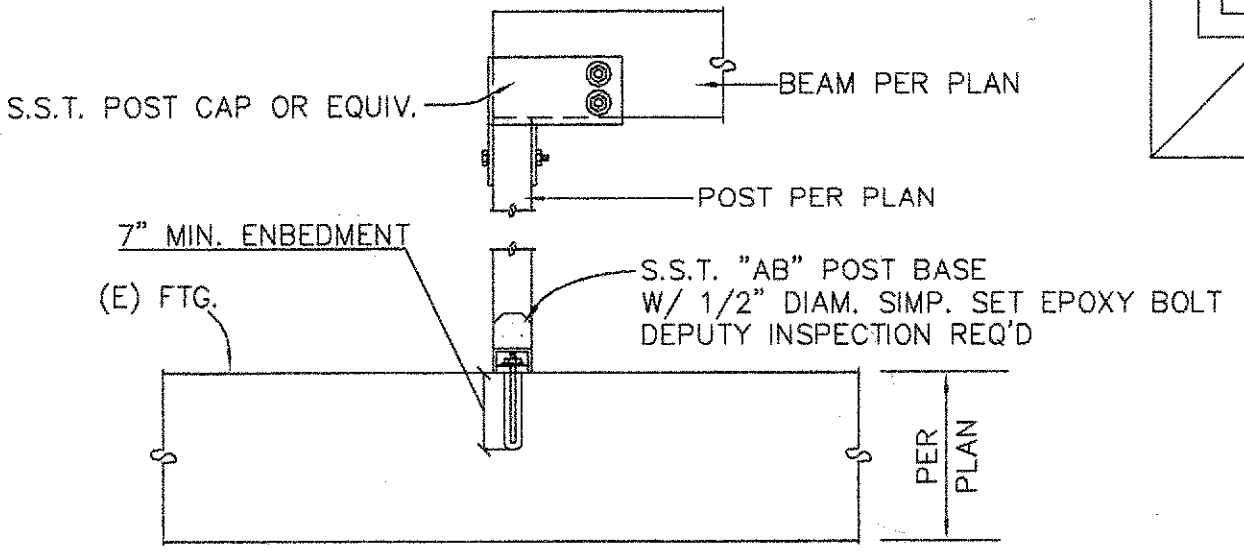


ROOF FRAMING PLAN
Scale: 1/4" = 1'-0"

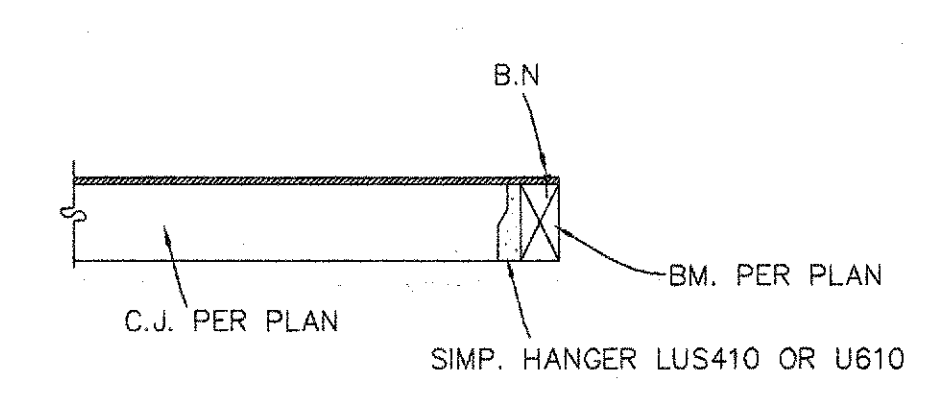


FOUNDATION PLAN

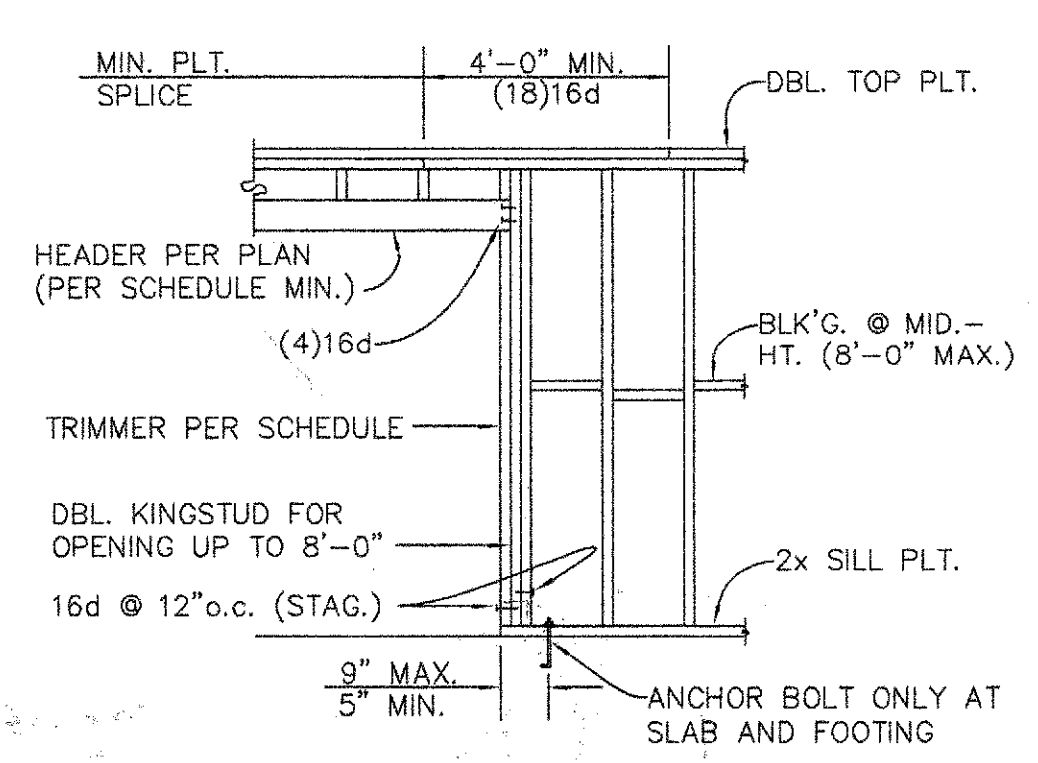
CITY OF LOS ANGELES
DEPT. OF BUILDING & SAFETY
APPROVED
FOR RECORD
BY: **TB**



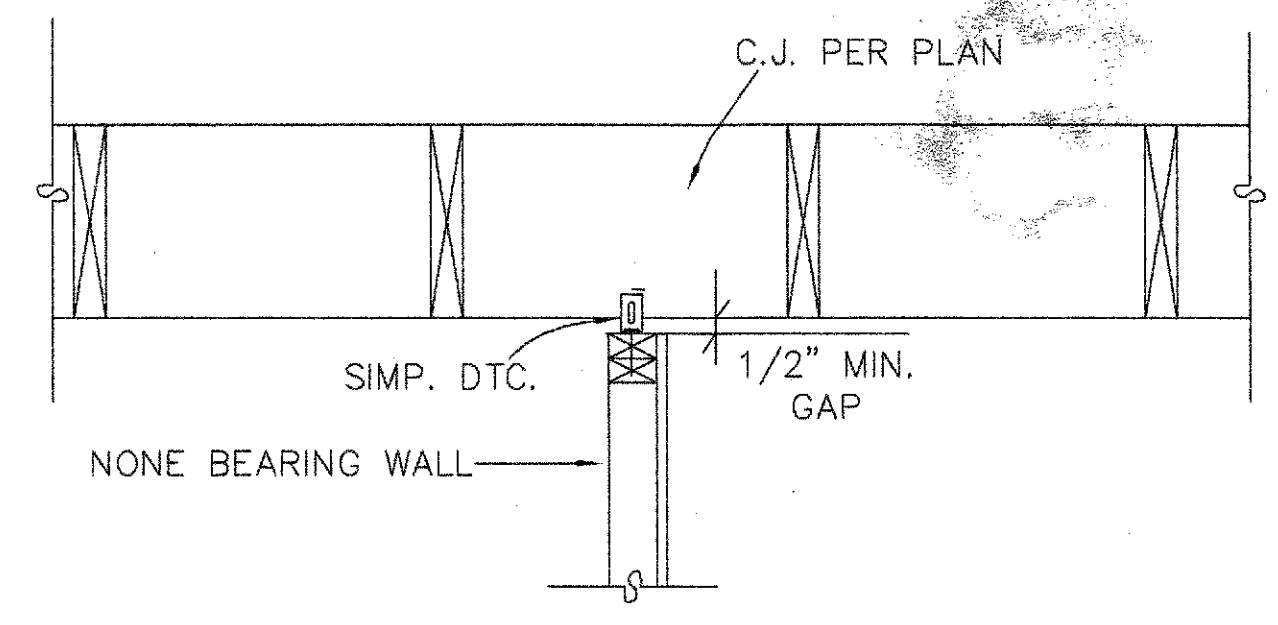
POST CONNECTIONS
NOT TO SCALE



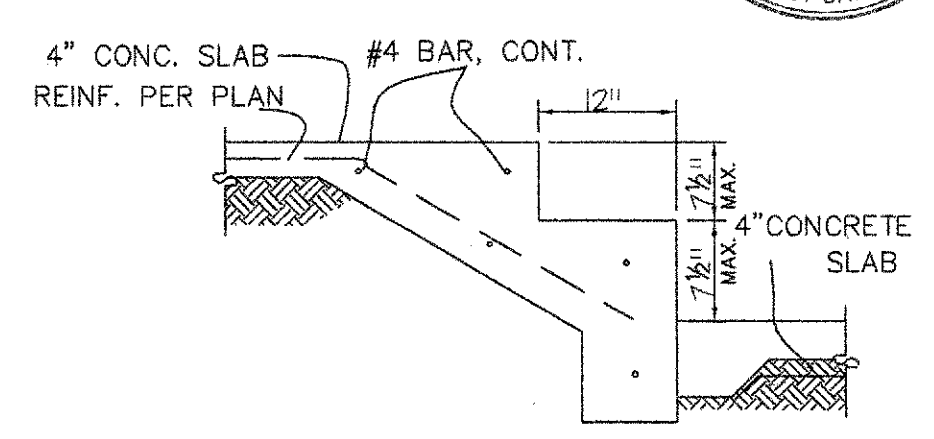
BEAM TO C.J. CONNECTION
NOT TO SCALE



STUD WALL FRAMING
NOT TO SCALE



C.J. AT NONE BEARING WALL DETAIL
NOT TO SCALE



CONCRETE STEPS

INDICATES EXISTING FOOTING FIELD VERIFY

This set of plans and specifications are to be used in conjunction with the City of Los Angeles Building Code, and the City of Los Angeles Building Department. It is the responsibility of the contractor to verify all conditions on the job site and to make any necessary adjustments to the plans and specifications. The contractor shall be held responsible for any errors or omissions on the part of the contractor.



TRITEK ENGINEERING, INC.
CIVIL AND STRUCTURAL DESIGN
A.J. BASMA
REGISTERED PROFESSIONAL ENGINEER
CALIFORNIA
712 S. DOWNEY AVE.
DOWNEY, CA 91704
TEL: 818-988-1388
FAX: 818-988-1386

D. DESIGN, INC.
19562 VENTURA BLVD. #217
TARZANA, CA 91356
PHONE 818-344-4449

GRIFFIN FAMILY TRUST
7803 PURITAN ST.
DOWNEY, CA 90242

DATE: 12/06/07
SCALE: 1/4" = 1'-0"
DRAWN: MF
JOB: 07-290
SHEET: **A3**