

TB007 (Rev2) - SVGA Monitor Repair & Return Policies

Overview

This document describes options available for repairing the CRT monitors in the M10, M20, M40, M50, and M60 type of Centroid Control.

Option 1 - Purchase an LCD Replacement Kit

This kit will directly replace your SVGA monitor with a flat color LCD display

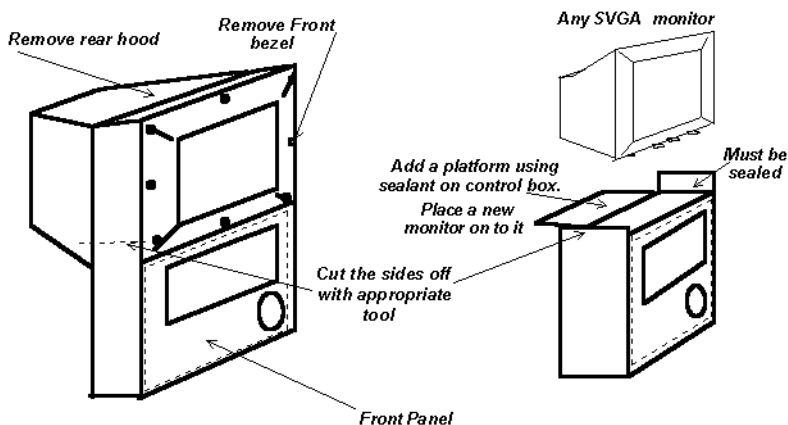
- Contact Technical Support for pricing.
- 90-day warranty on the replacement kit parts.
- A Centroid Technical Representative can install this kit on-site.

Option 2 - Replace console with our new M39 pendant, arm, and your own SVGA Monitor and keyboard

- Contact Technical Support for more information on this option.
- This will require some minor rewiring of the E-Stop switch. Centroid will provide you with an M39 jog pendant, wiring harness, and bracket. You provide the SVGA monitor and keyboard. More information is available.

Option 3 - Retrofit the console yourself for an after market SVGA Monitor

- Although this is not considered the best solution, it still is considered a viable solution that is cost effective and field expedient.
- Remove the top section of the console that houses the computer monitor, and add a metal platform (of your own design). Seal the modified control and platform with silicon-based sealant. Mount any brand SVGA computer monitor to the platform.
- Plug the new computer monitor cables where the existing cables are presently connected.
- Future monitor replacements will be easier, just buy a new monitor at a local store.



Note: Always have your control serial number when calling Centroid Tech Support.

Document History

Rev2 Created on **2008-10-27** by **#297**

[Rev1](#) Created on **1998-03-01**