

TB073 (Rev1) - M39 E-Stop Protection Bracket Retrofit

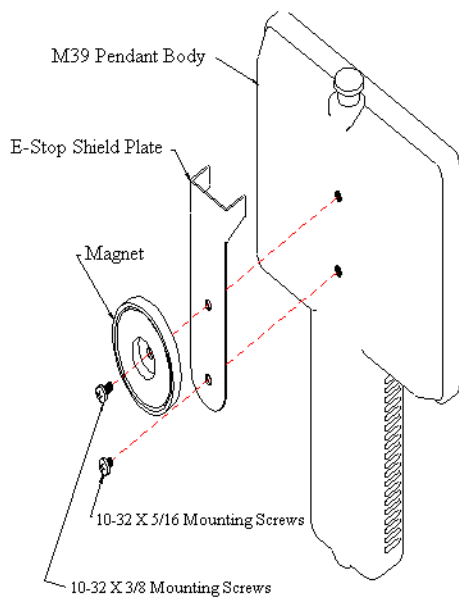
Overview

This document describes the proper installation of the E-stop protection bracket on the M-39 pendant.

This bracket is designed to prevent damage to the M-39 pendant E-stop.

Procedure:

1. Remove the two Allen head screws and the magnet from the backside of the M-39 pendant.
2. Place the bracket on the back of the pendant as indicated in the illustration below and install the provided Phillips head screws as indicated. Be sure not to over torque these screws or the inserts could strip out of the plastic housing.



Document History

Rev1 Created on **1999-07-19**