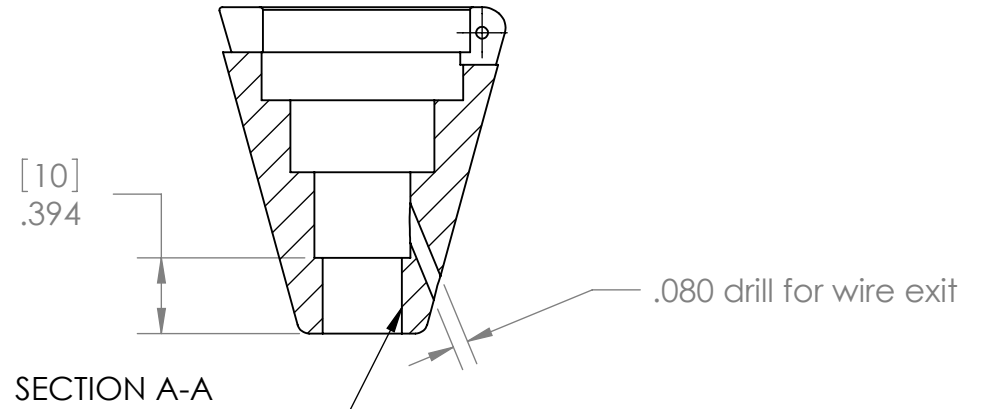
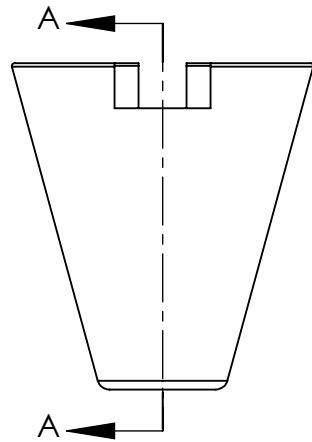
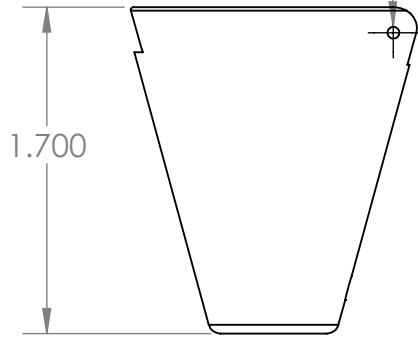


ream
 $\phi .0615$ diameter
hole for press fit on
1/16" dowel pin



insert M10 x 1.5 x 10mm length helicoil
through bottom of knob
McMaster 91732A648 or equivalent

