

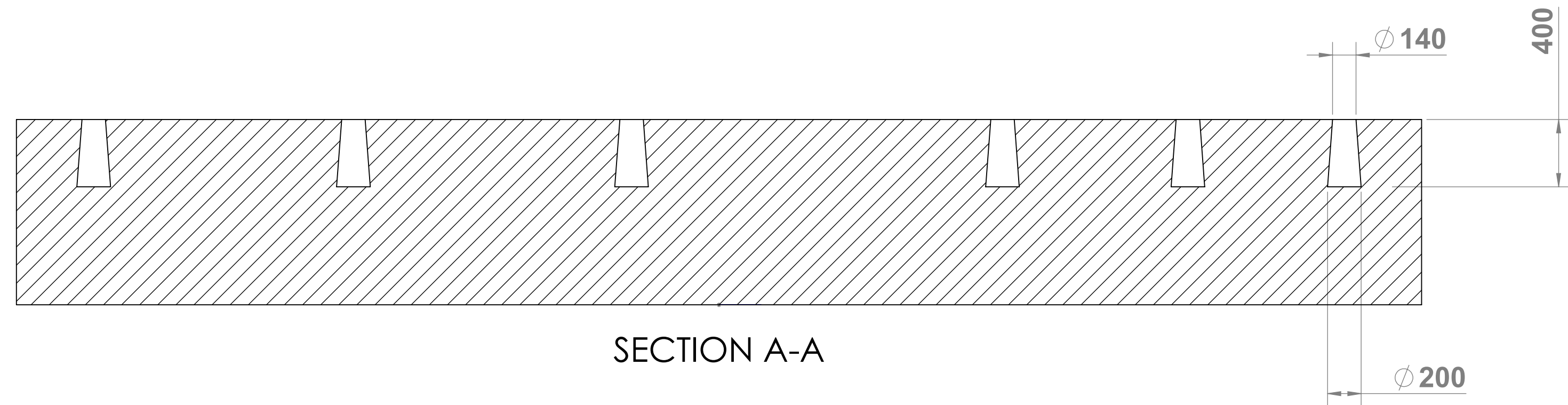
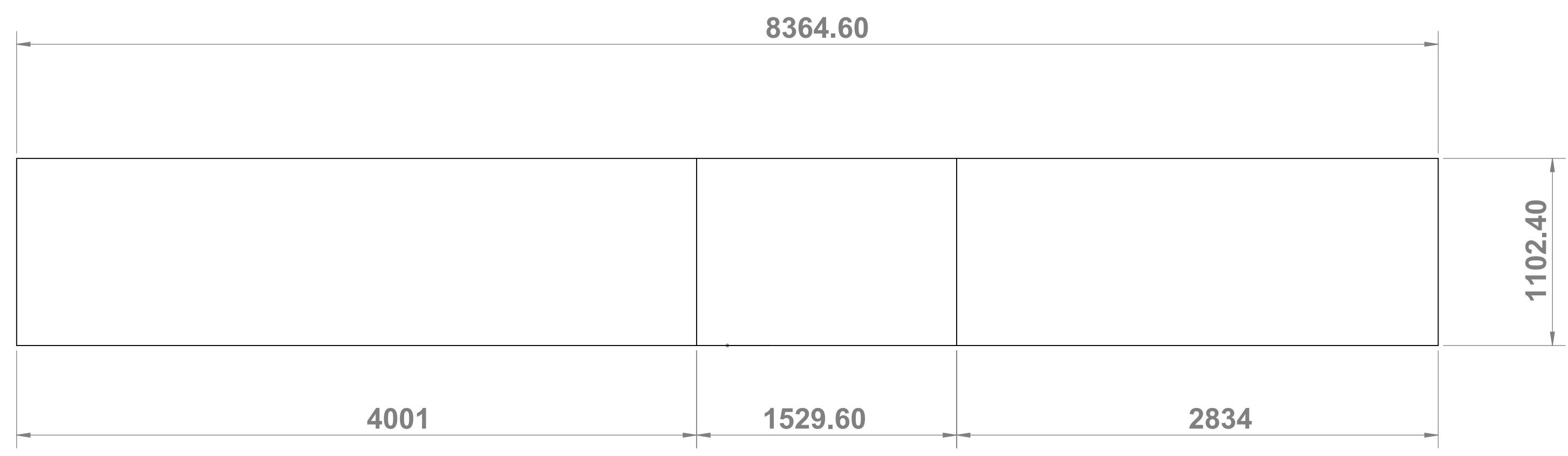
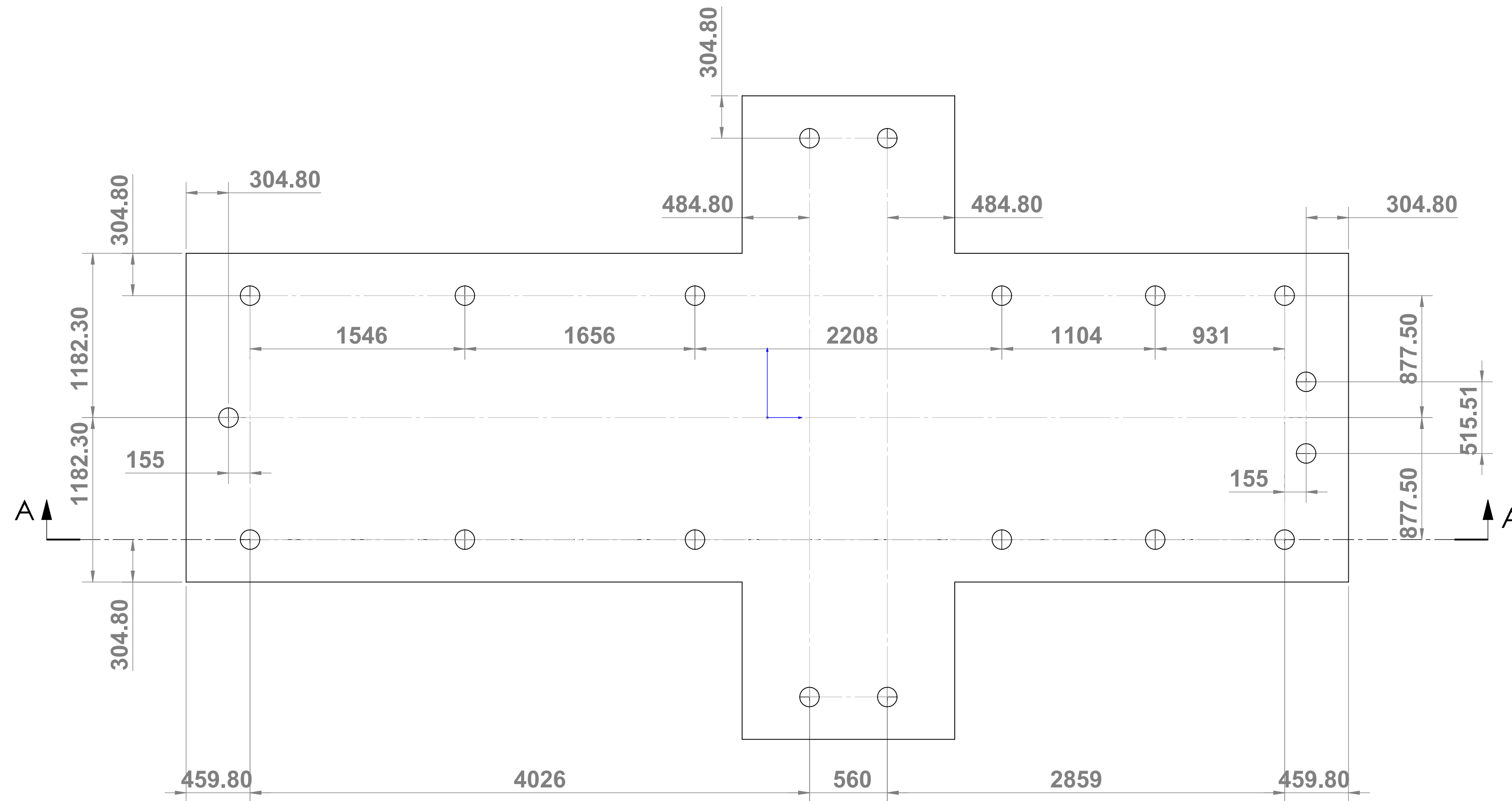
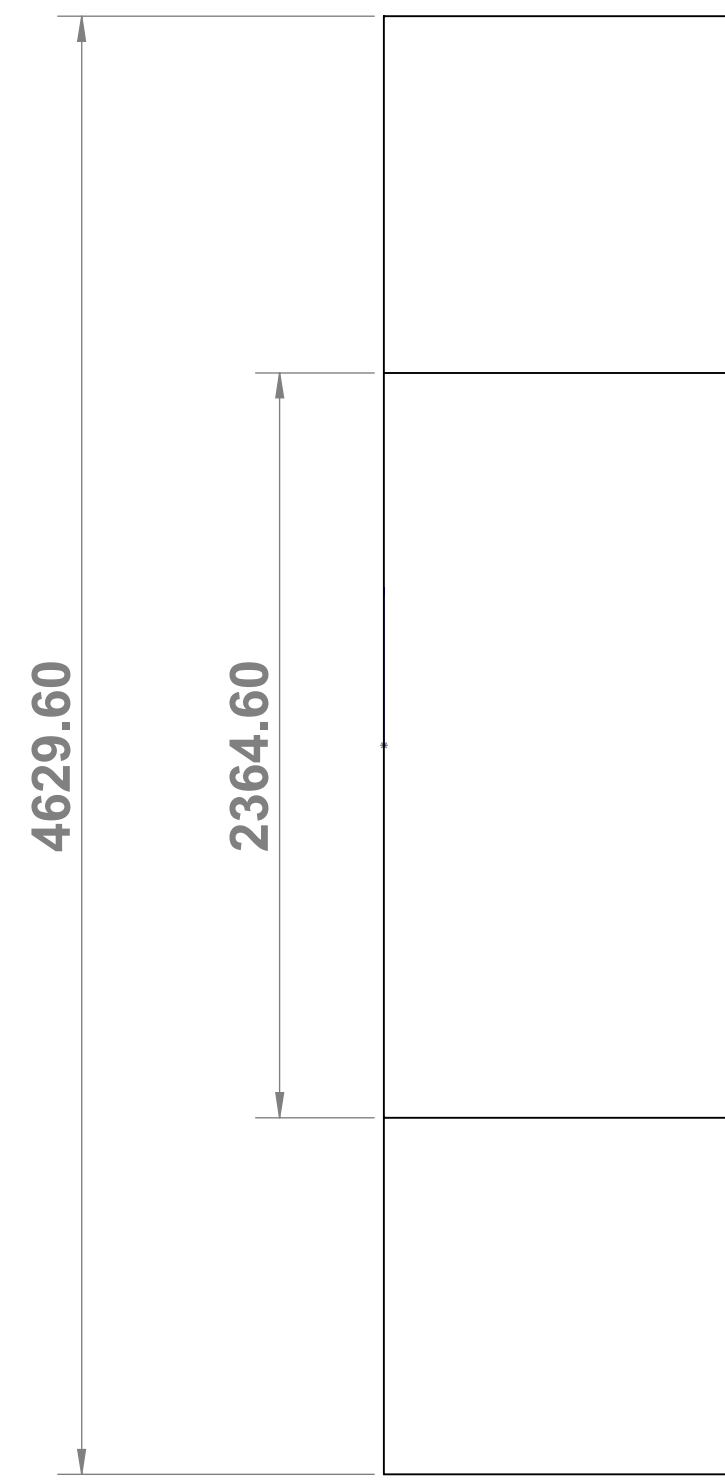
DIN LIMITS: INCHES	DATE	Drawn Date	TITLE:
TOLERANCE: XX ± XXX ± ANGLES ±	DRAWN BY	Drawn By	
MATERIAL:	DESIGNED BY	Designed By	
	CHECKED BY:	Checked By	
	PROPRIETARY AND CONFIDENTIAL		
FINISH:			SIZE
			PART NO.
			DWG NO.
			DWG REV :
			SHEET 1 OF 1

SECTION A-A

DO NOT SCALE DRAWING

SCALE: 1:24

**D**



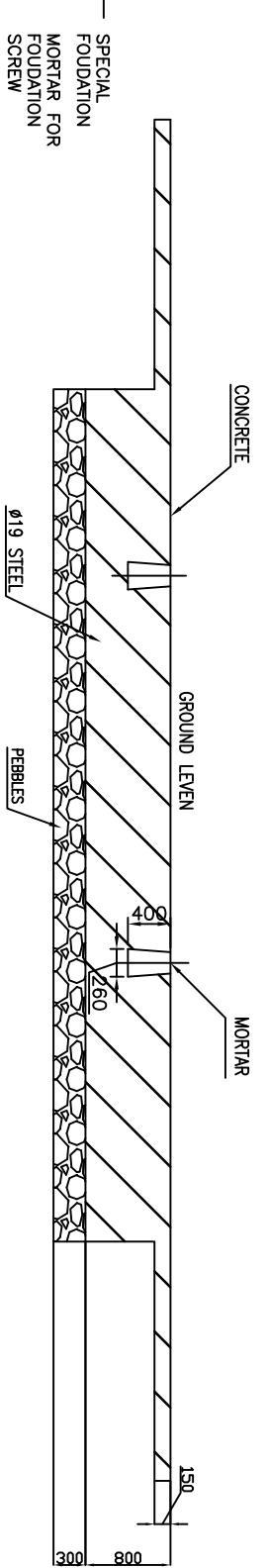
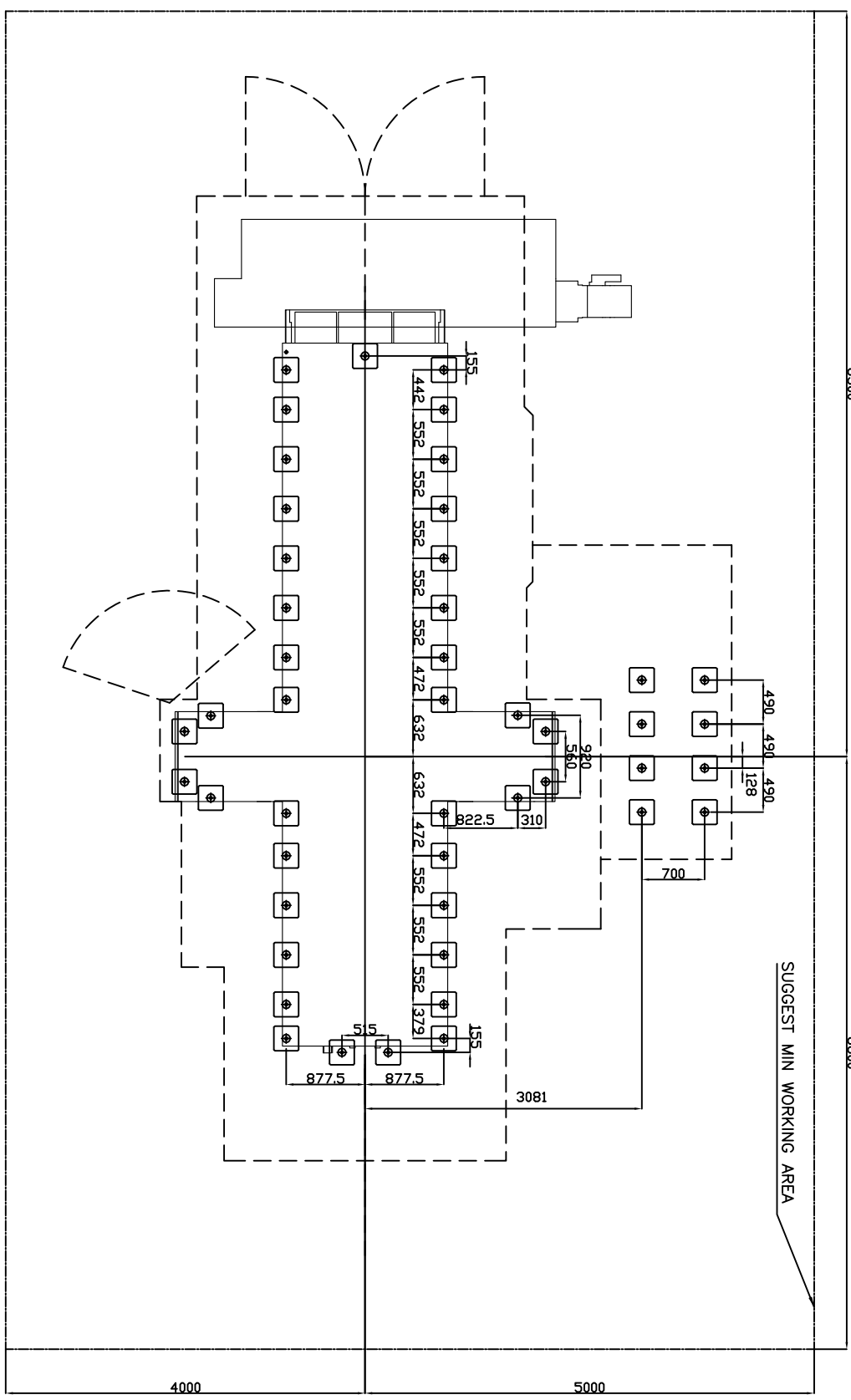
SECTION A-A

DIN LIMITS: INCHES	DATE	Drawn Date	TITLE:
TOLERANCE: XX ± .XX ± .XXX ± ANGLES ±	DRAWN BY	Drawn By	
MATERIAL:	DESIGNED BY	Designed By	SIZE <b>D</b>
FINISH:	CHECKED BY	Checked By	
DO NOT SCALE DRAWING	SCALE: 1:24		PART NO. DWG NO. DWG REV : SHEET 1 OF 1

8300

6600

SUGGEST MIN WORKING AREA



SPECIAL FOUNDATION MORTAR FOR FOUNDATION SCREW

AREA OF MACHINE BASE

SUGGEST MIN WORKING AREA