

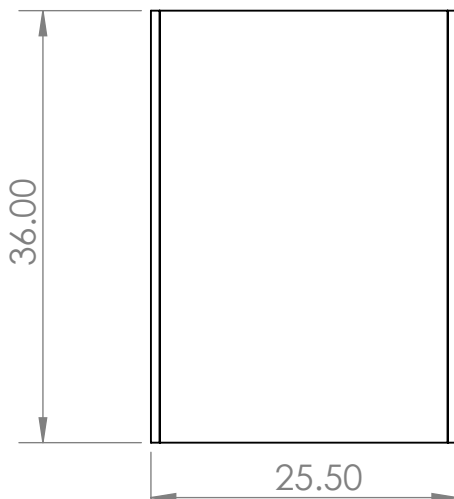
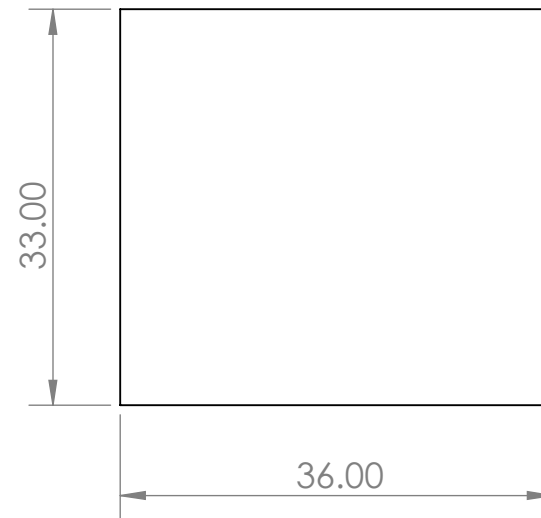
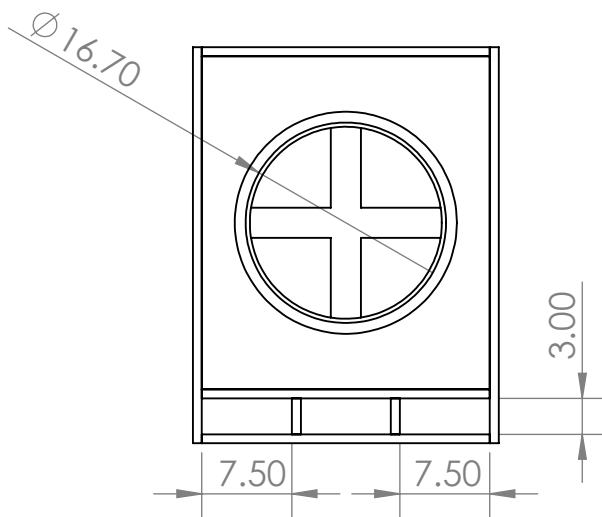
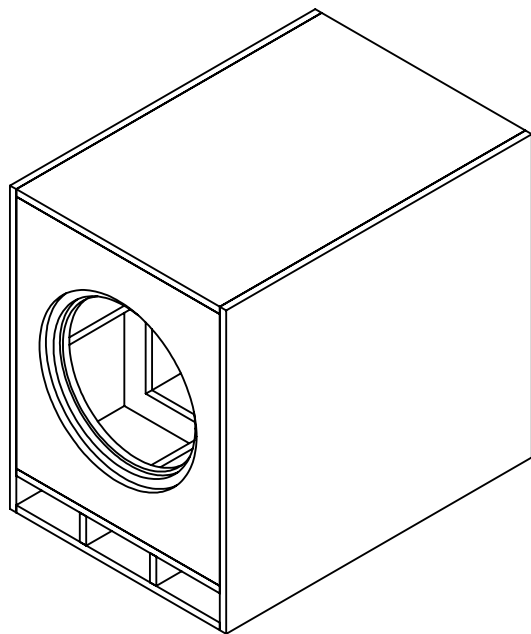
5

4

3

2

1



DIM UNITS:	DATE
TOLERANCE:	DRAWN BY
.X ±	DESIGNED BY
.XX ±	CHECKED BY:
.XXX ±	
ANGLES ±	
MATERIAL:	<b>PROPRIETARY AND CONFIDENTIAL</b> THE INFORMATION CONTAINED IN THIS DRAWING IS THE SOLE PROPERTY OF MAGTEK. ANY REPRODUCTION IN PART OR AS A WHOLE WITHOUT THE WRITTEN PERMISSION OF MAGTEK IS PROHIBITED.
FINISH:	<b>MUST BE ROHS COMPLIANT, SEE EUROPEAN DIRECTIVE 2002/95/EC</b>
<b>DO NOT SCALE DRAWING</b>	<b>SCALE: 1:16</b>

DATE	
DRAWN BY	
DESIGNED BY	
CHECKED BY:	
<b>PROPRIETARY AND CONFIDENTIAL</b> THE INFORMATION CONTAINED IN THIS DRAWING IS THE SOLE PROPERTY OF MAGTEK. ANY REPRODUCTION IN PART OR AS A WHOLE WITHOUT THE WRITTEN PERMISSION OF MAGTEK IS PROHIBITED.	
<b>MUST BE ROHS COMPLIANT, SEE EUROPEAN DIRECTIVE 2002/95/EC</b>	
<b>SCALE: 1:16</b>	

<b>MAGTEK</b> <sup>®</sup> 1710 Apollo Court, Seal Beach, CA 90740	
TITLE:	
SIZE	PART NO.
<b>A</b>	DWG NO.
DWG REV :	SHEET 1 OF 1

5

4

3

2

1

D

D

C

C

B

B

A

A