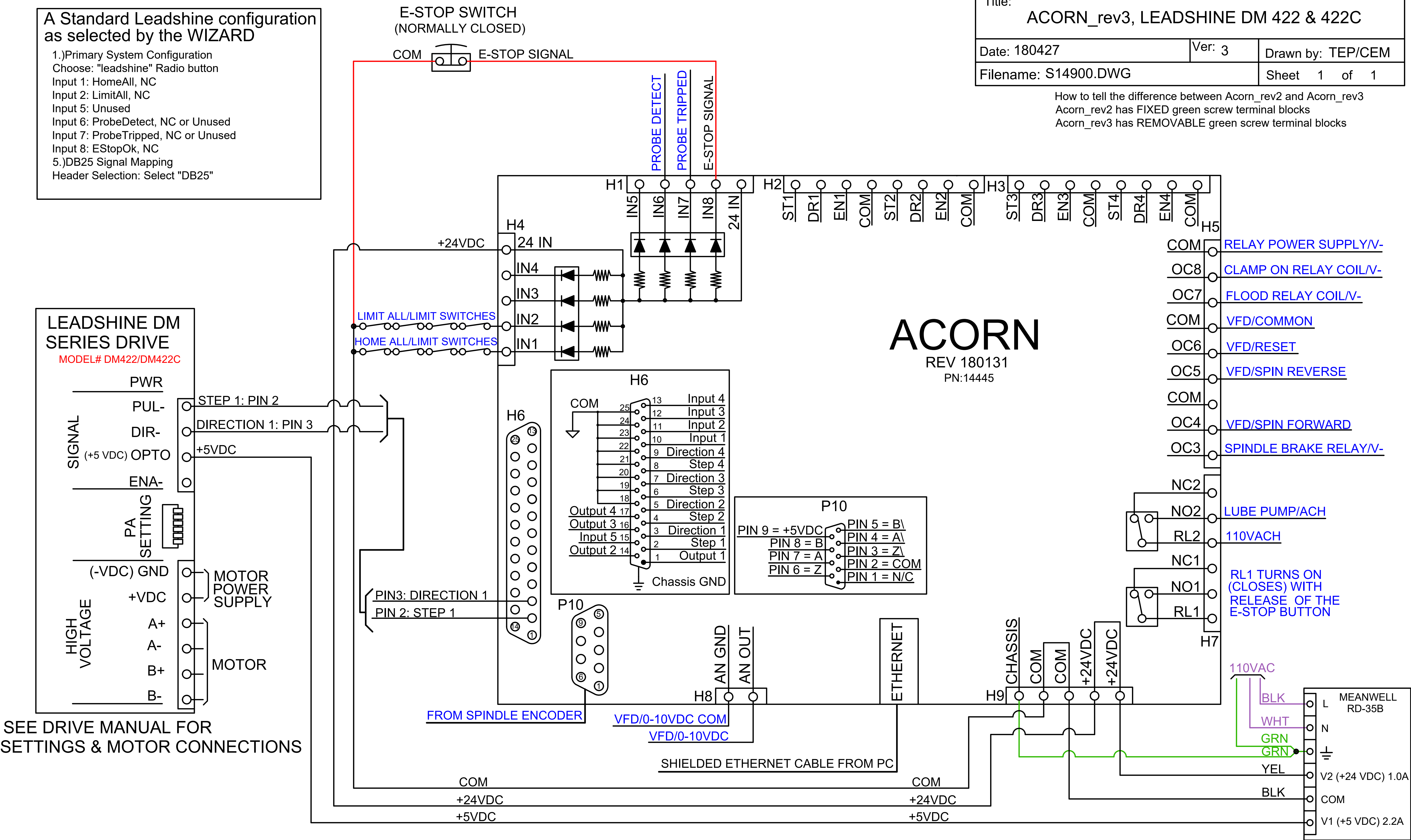


A Standard Leadshine configuration as selected by the WIZARD

- 1.) Primary System Configuration
- Choose: "leadshine" Radio button
- Input 1: HomeAll, NC
- Input 2: LimitAll, NC
- Input 5: Unused
- Input 6: ProbeDetect, NC or Unused
- Input 7: ProbeTripped, NC or Unused
- Input 8: EStopOk, NC
- 5.) DB25 Signal Mapping
- Header Selection: Select "DB25"

How to tell the difference between Acorn_rev2 and Acorn_rev3
 Acorn_rev2 has FIXED green screw terminal blocks
 Acorn_rev3 has REMOVABLE green screw terminal blocks



E-STOP CIRCUITS ARE RED
 OPTIONAL CONNECTIONS ARE BLUE
 GROUNDS ARE GREEN
 110VAC IS VIOLET