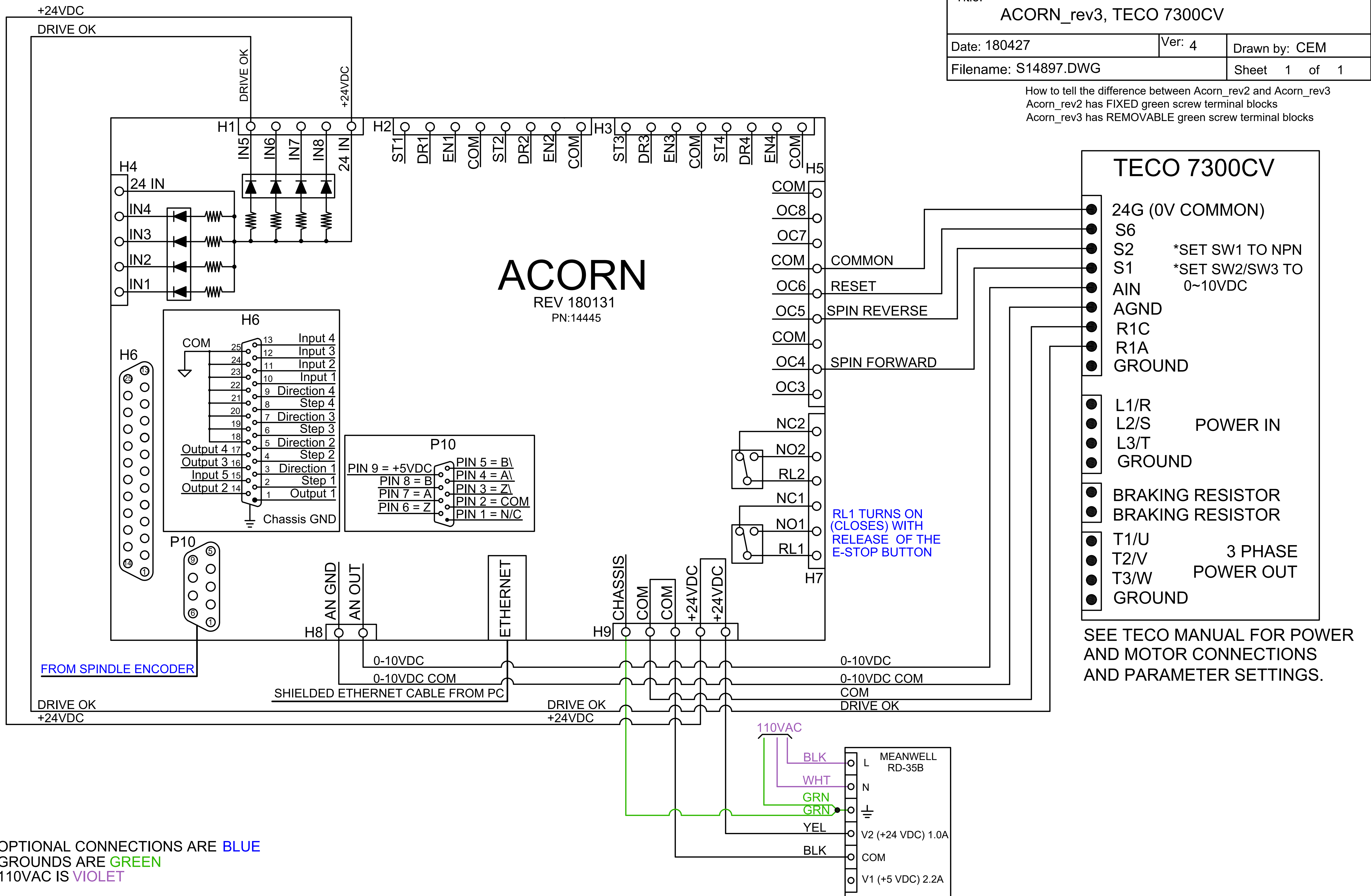


Title: ACORN_rev3, TECO 7300CV		
Date: 180427	Ver: 4	Drawn by: CEM
Filename: S14897.DWG	Sheet 1 of 1	

How to tell the difference between Acorn\_rev2 and Acorn\_rev3  
 Acorn\_rev2 has FIXED green screw terminal blocks  
 Acorn\_rev3 has REMOVABLE green screw terminal blocks



OPTIONAL CONNECTIONS ARE BLUE  
 GROUNDS ARE GREEN  
 110VAC IS VIOLET