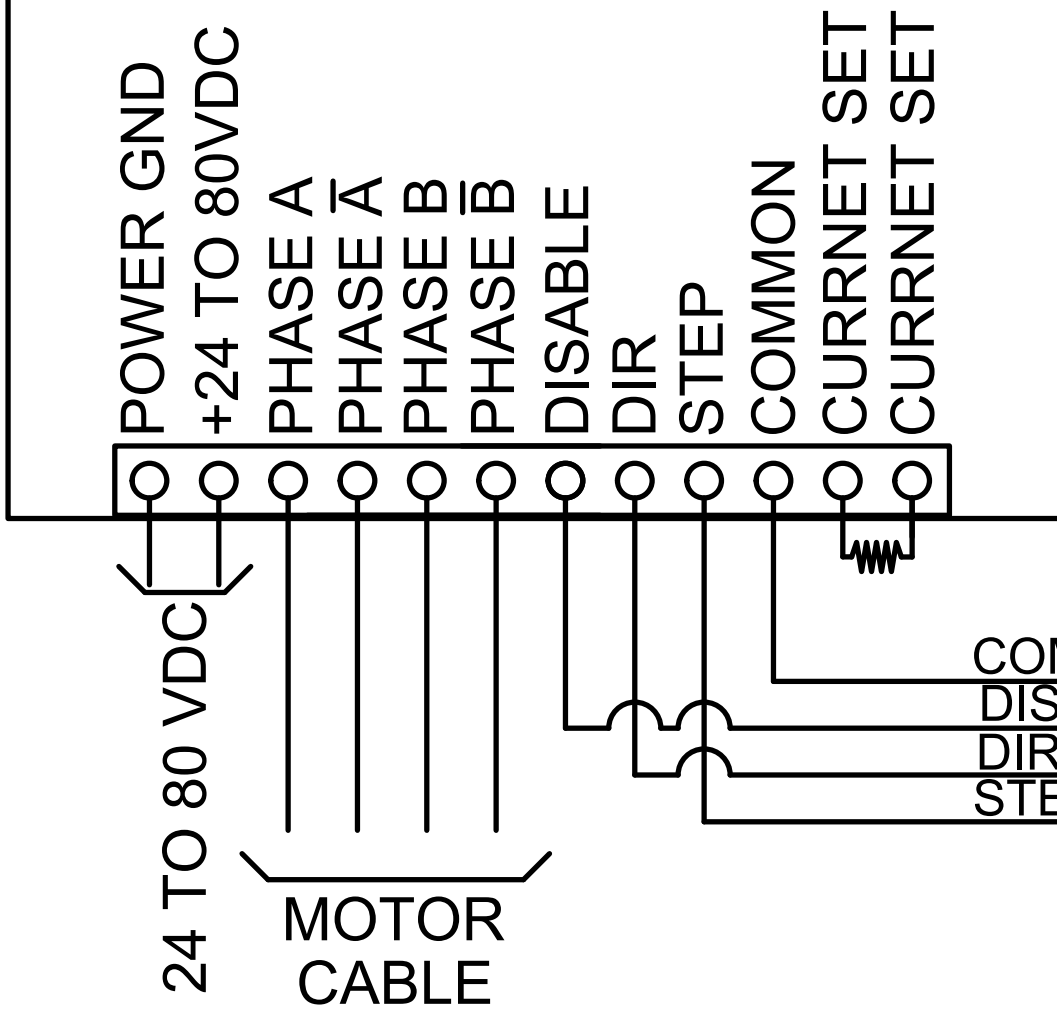


STEP AND DIRECTION SIGNALS SHOULD BE INVERTED USING THE ACORN SETUP WIZARD

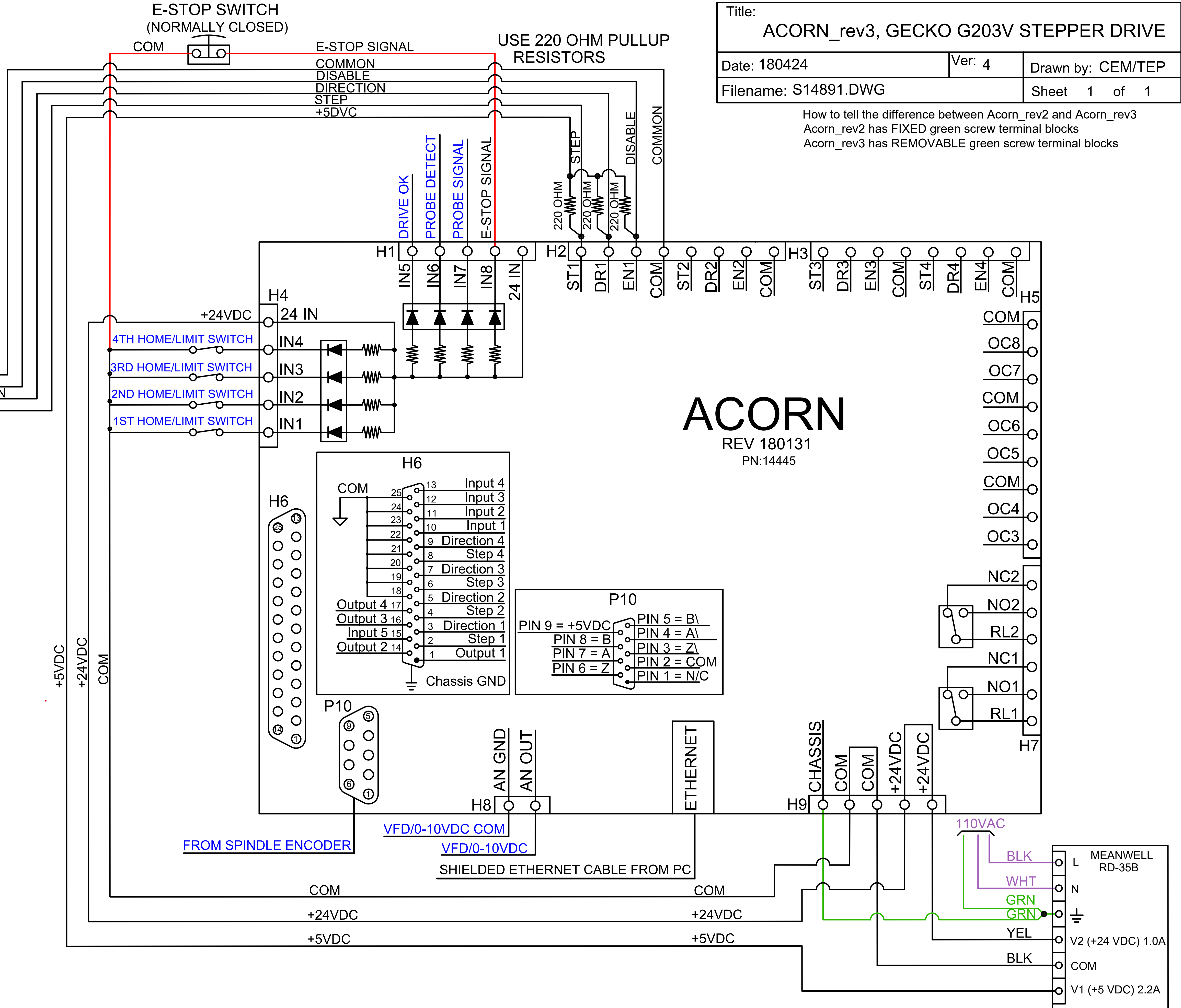


E-STOP SWITCH (NORMALLY CLOSED)

USE 220 OHM PULLUP RESISTORS

Title: ACORN_rev3, GECKO G203V STEPPER DRIVE		
Date: 180424	Ver: 4	Drawn by: CEM/TEP
Filename: S14891.DWG		Sheet 1 of 1

How to tell the difference between Acorn_rev2 and Acorn_rev3
 Acorn_rev2 has FIXED green screw terminal blocks
 Acorn_rev3 has REMOVABLE green screw terminal blocks



ACORN
 REV 180131
 PN:14445

E-STOP CIRCUITS ARE RED
 OPTIONAL CONNECTIONS ARE BLUE
 GROUNDS ARE GREEN
 110VAC IS VIOLET