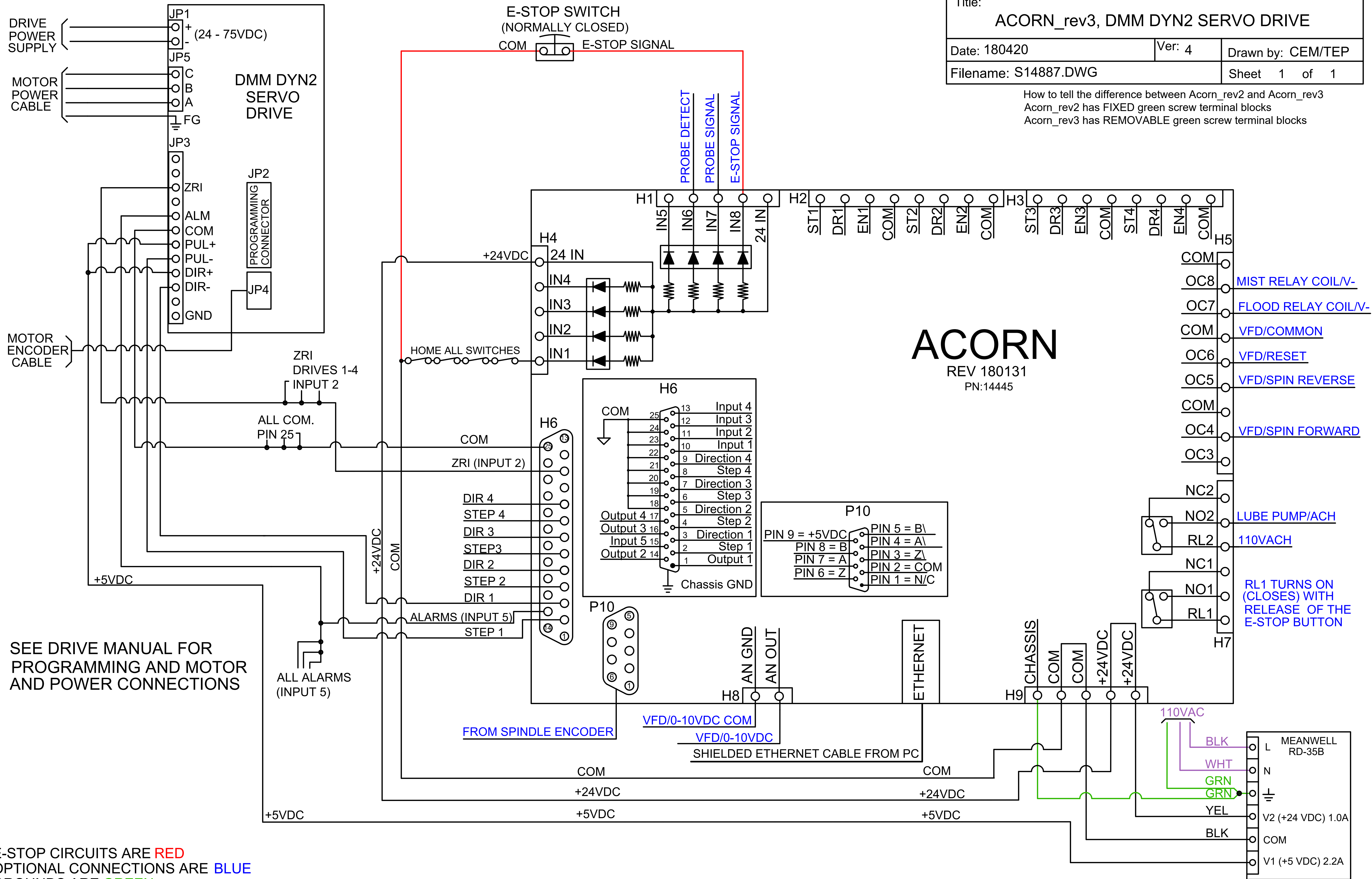


Title: ACORN_rev3, DMM DYN2 SERVO DRIVE		
Date: 180420	Ver: 4	Drawn by: CEM/TEP
Filename: S14887.DWG		Sheet 1 of 1

How to tell the difference between Acorn_rev2 and Acorn_rev3
 Acorn_rev2 has FIXED green screw terminal blocks
 Acorn_rev3 has REMOVABLE green screw terminal blocks



E-STOP CIRCUITS ARE RED
 OPTIONAL CONNECTIONS ARE BLUE
 GROUNDS ARE GREEN
 110VAC IS VIOLET