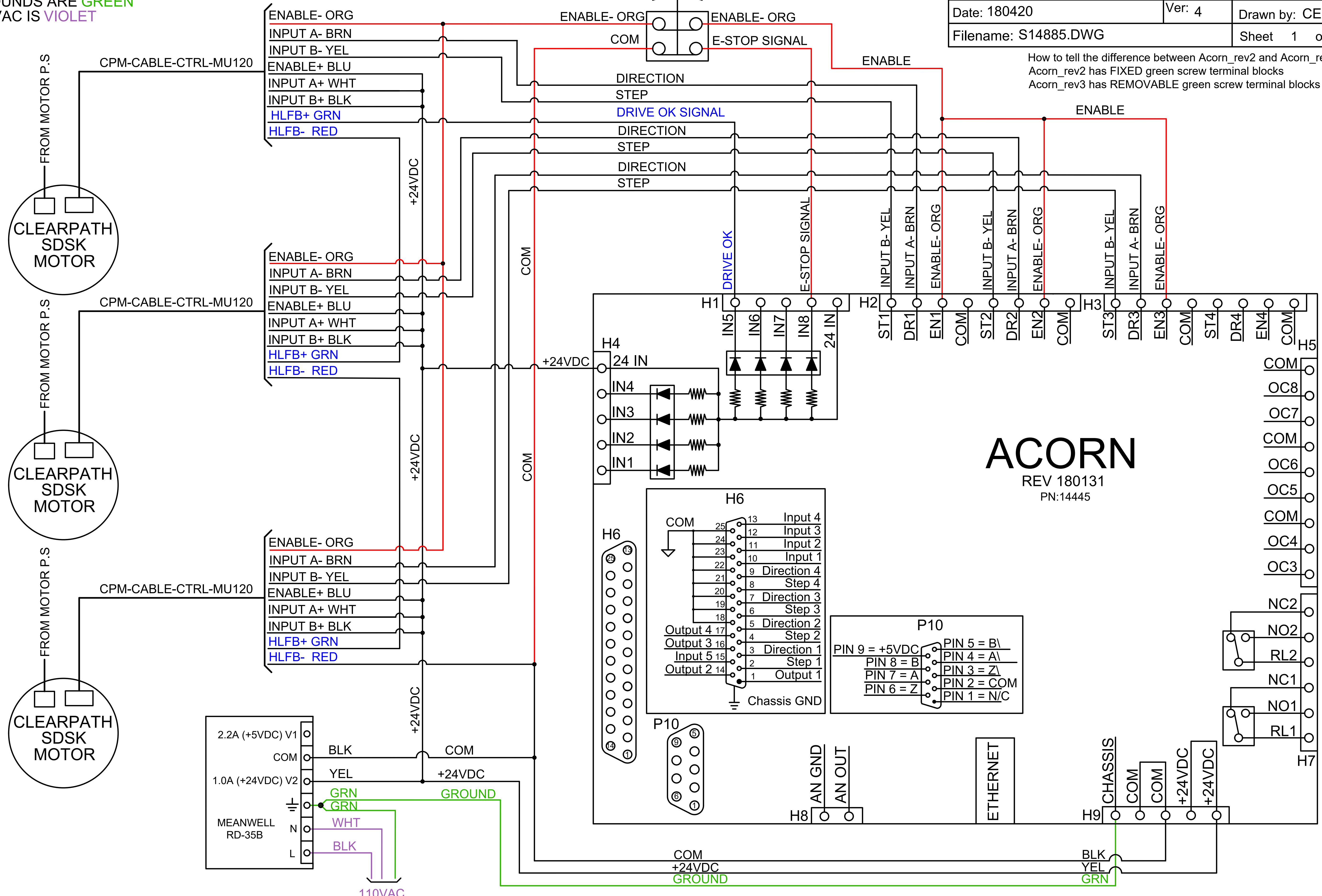


E-STOP CIRCUITS ARE **RED**
 OPTIONAL CONNECTIONS ARE **BLUE**
 GROUNDS ARE **GREEN**
 110VAC IS **VIOLET**

Title: ACORN_rev3 MULTIPLE CLEARPATH SDSK SERIES MOTORS		
Date: 180420	Ver: 4	Drawn by: CEM/TEP
Filename: S14885.DWG	Sheet 1 of 1	

How to tell the difference between Acorn_rev2 and Acorn_rev3
 Acorn_rev2 has FIXED green screw terminal blocks
 Acorn_rev3 has REMOVABLE green screw terminal blocks



ACORN
 REV 180131
 PN:14445