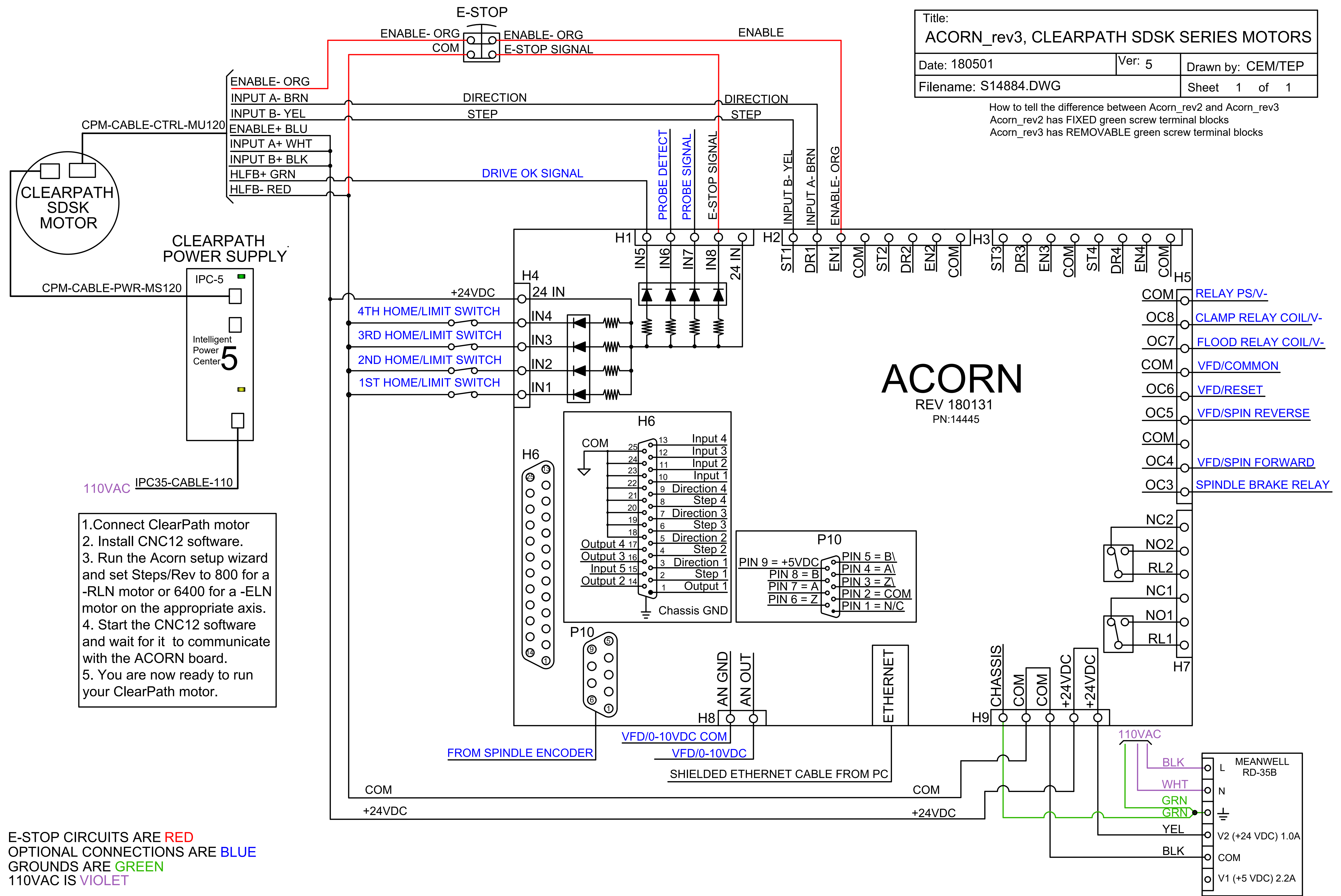


|  |        |                   |
|--|--------|-------------------|
| Title:<br>ACORN_rev3, CLEARPATH SDSK SERIES MOTORS |        |                   |
| Date: 180501                                       | Ver: 5 | Drawn by: CEM/TEP |
| Filename: S14884.DWG                               |        | Sheet 1 of 1      |

How to tell the difference between Acorn\_rev2 and Acorn\_rev3  
 Acorn\_rev2 has FIXED green screw terminal blocks  
 Acorn\_rev3 has REMOVABLE green screw terminal blocks



1. Connect ClearPath motor
2. Install CNC12 software.
3. Run the Acorn setup wizard and set Steps/Rev to 800 for a -RLN motor or 6400 for a -ELN motor on the appropriate axis.
4. Start the CNC12 software and wait for it to communicate with the ACORN board.
5. You are now ready to run your ClearPath motor.

E-STOP CIRCUITS ARE RED  
 OPTIONAL CONNECTIONS ARE BLUE  
 GROUNDS ARE GREEN  
 110VAC IS VIOLET

