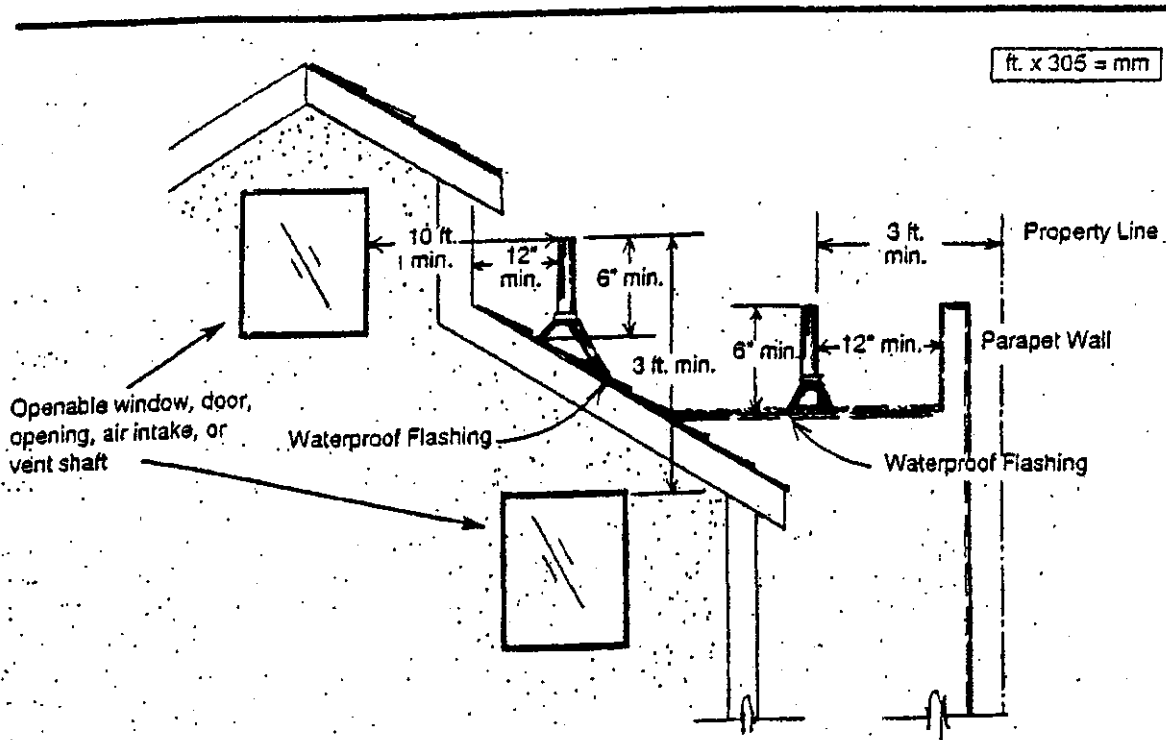
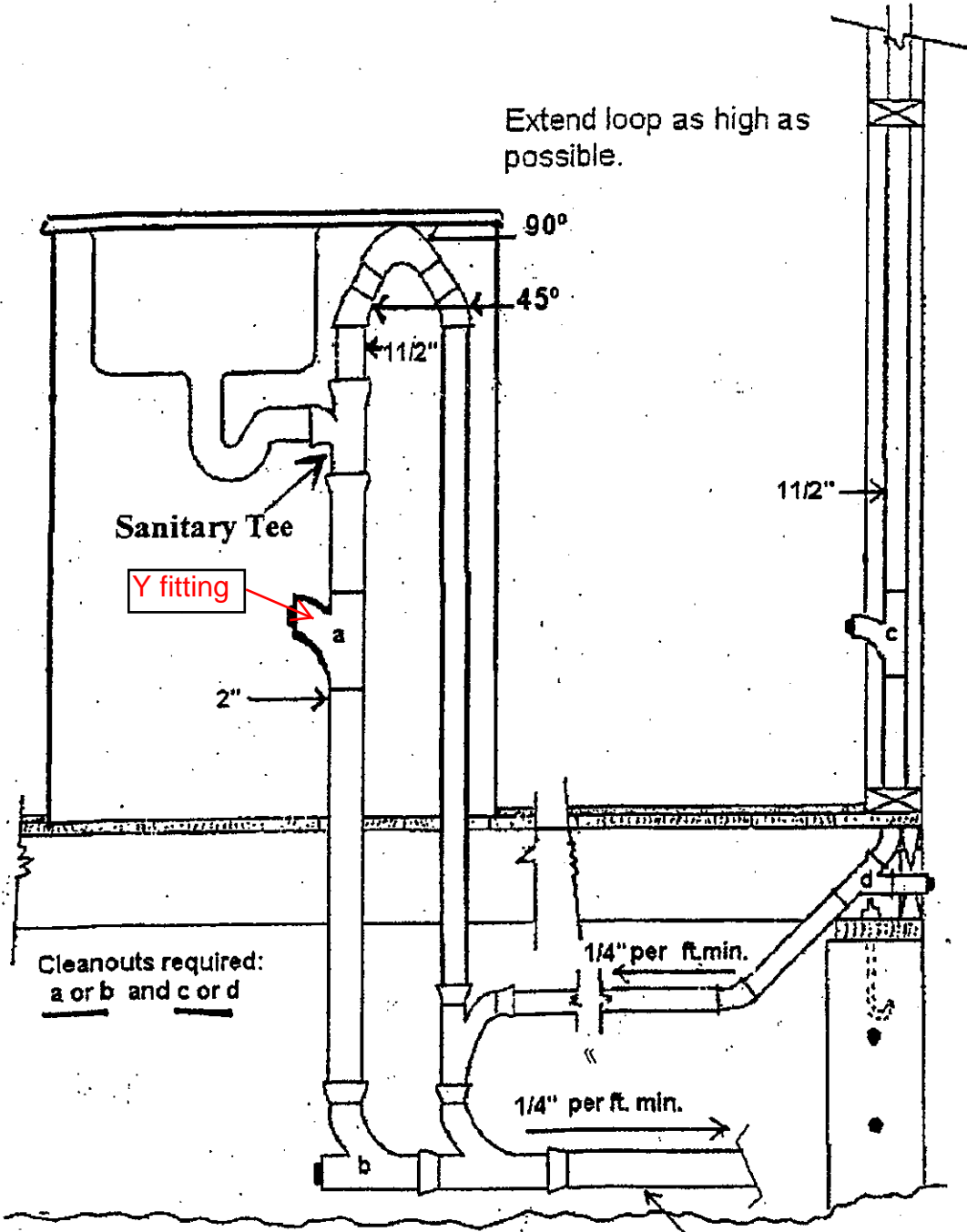


# WASTE VENTING



**Figure 9-12**  
Vent Termination

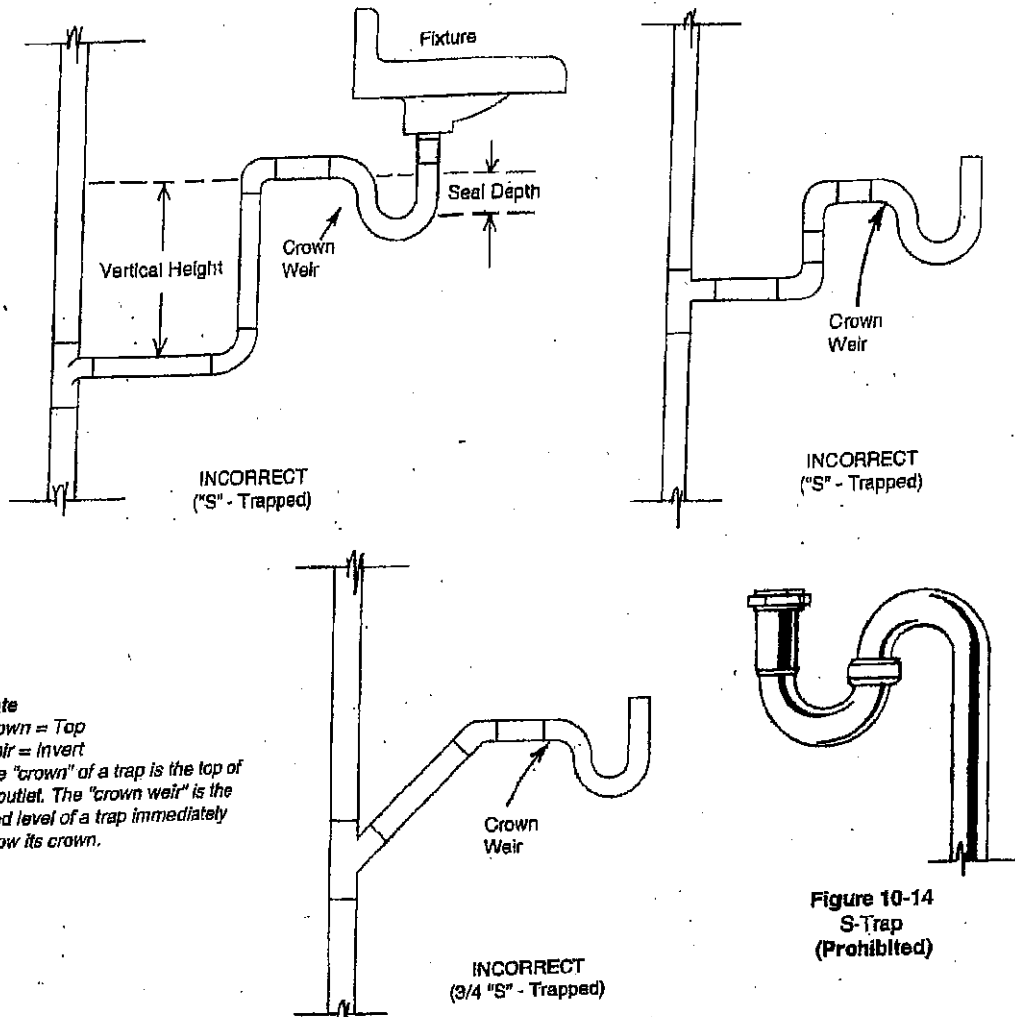


Island Sink Vent

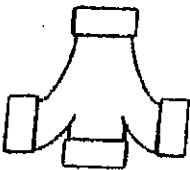
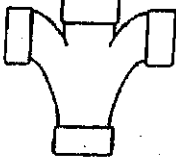
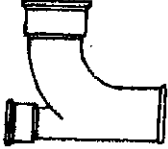
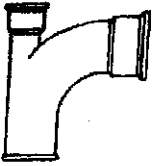
# Prohibited Plumbing Installations

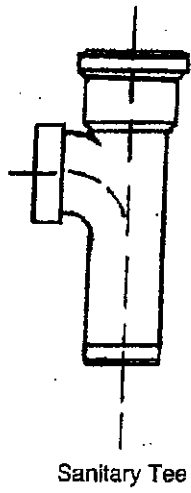
2007 CPC Chapter 10

## Examples of incorrect "S" Trap venting with the vent opening below the trap weir

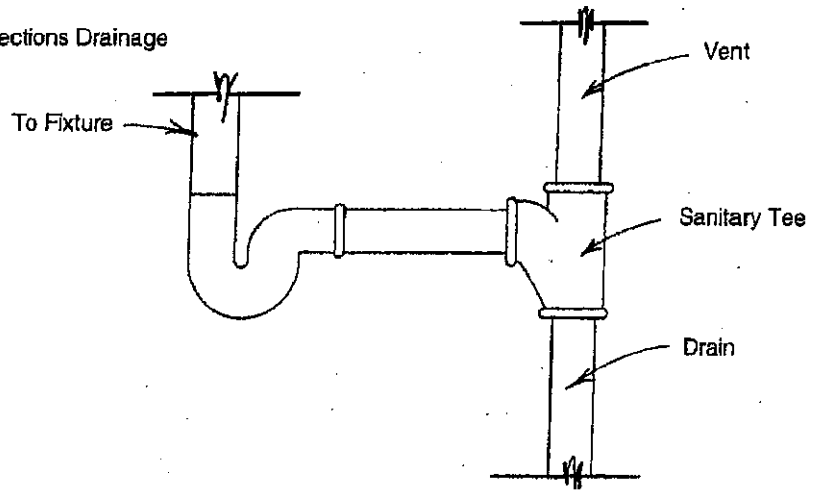


## Examples of common incorrect plumbing fitting installations

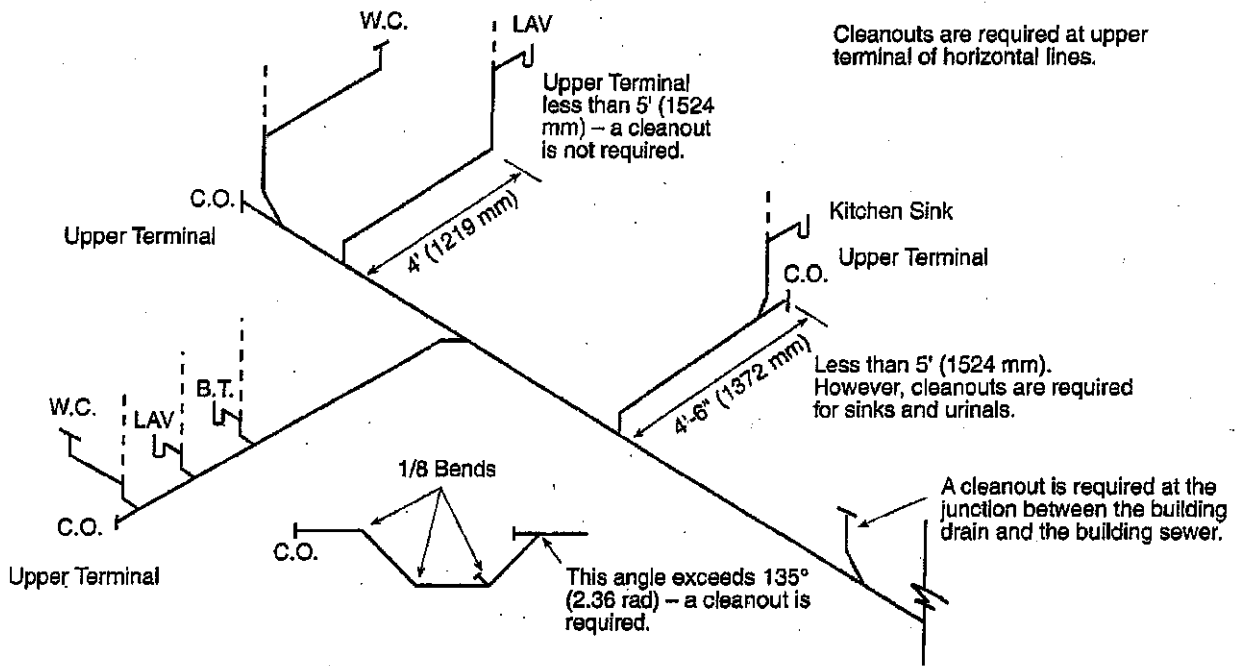
			
<b>(Prohibited)</b>	<b>(Correct)</b> <b>Double fixture fitting shall be used in the vertical position only.</b>	<b>(Prohibited)</b>	<b>(Correct)</b> <b>Low heel 90 inlet shall be used in the vertical position only.</b>



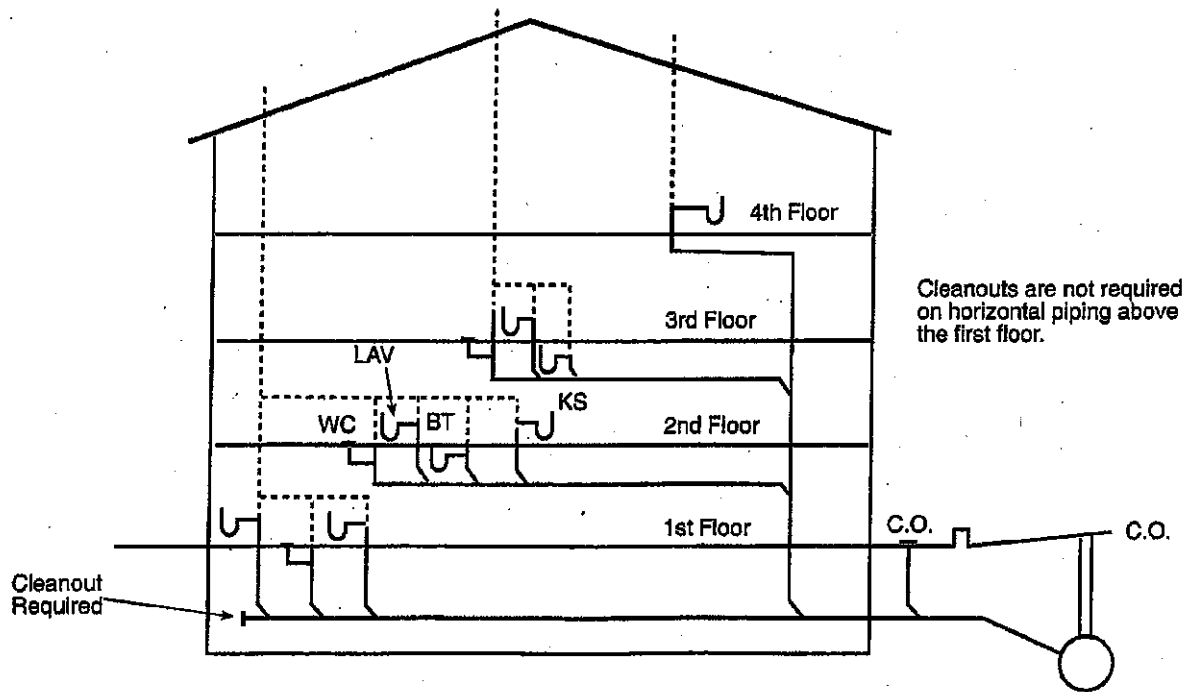
Fixture Connections Drainage



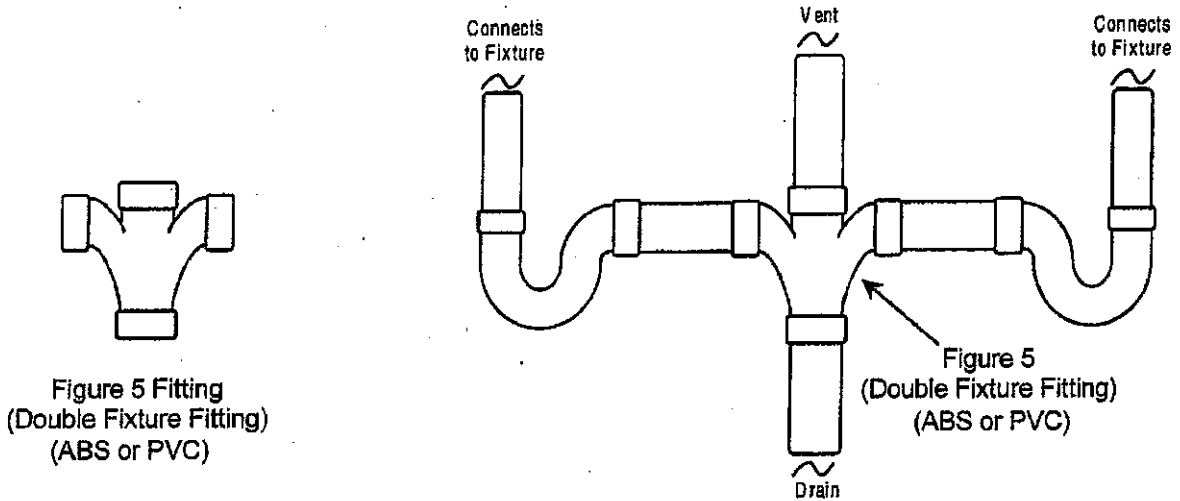
**Figure 7-11**  
Inlet Fittings for Single Fixtures



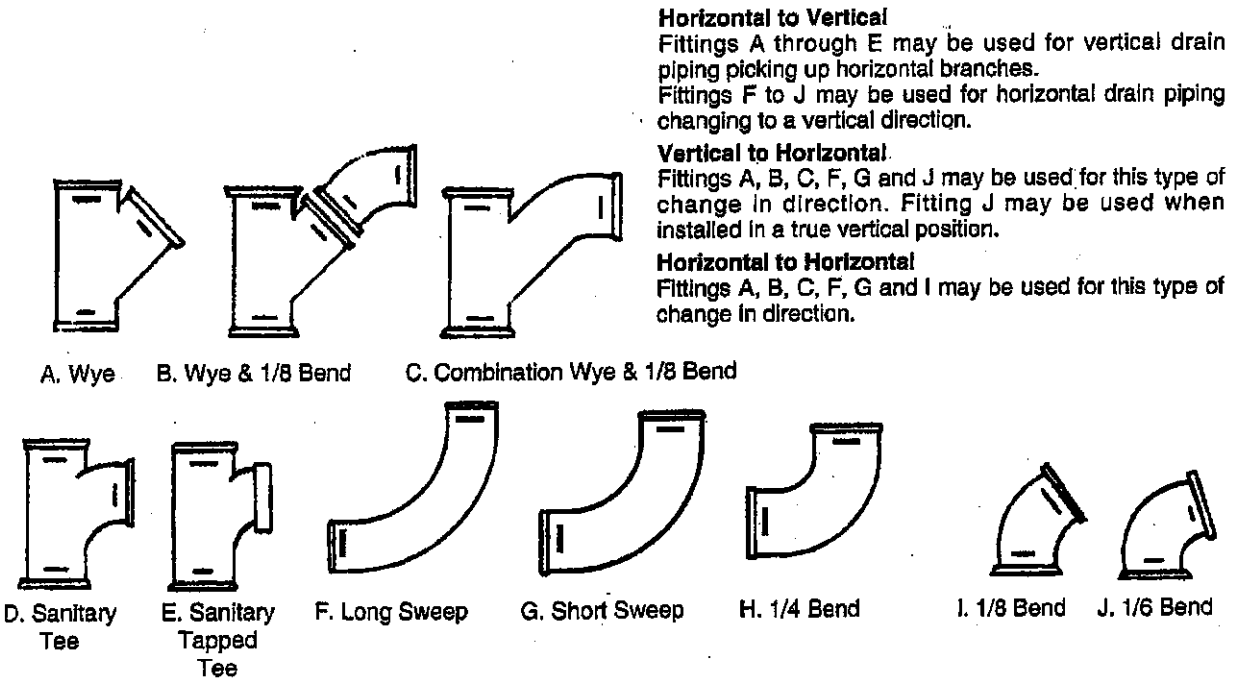
**Figure 7-14**  
Cleanout Requirements for Drainage Piping



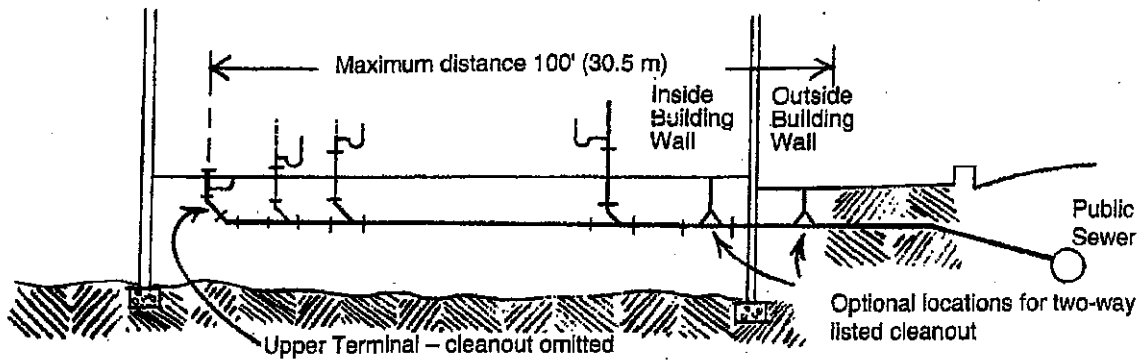
**Figure 7-15**  
Cleanout Requirements for Drainage Piping



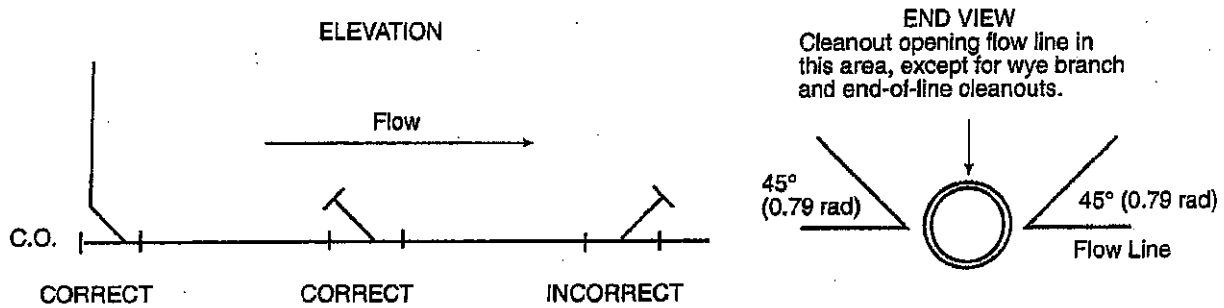
**Figure 7-12**  
Drainage Fittings for Back to Back Fixtures



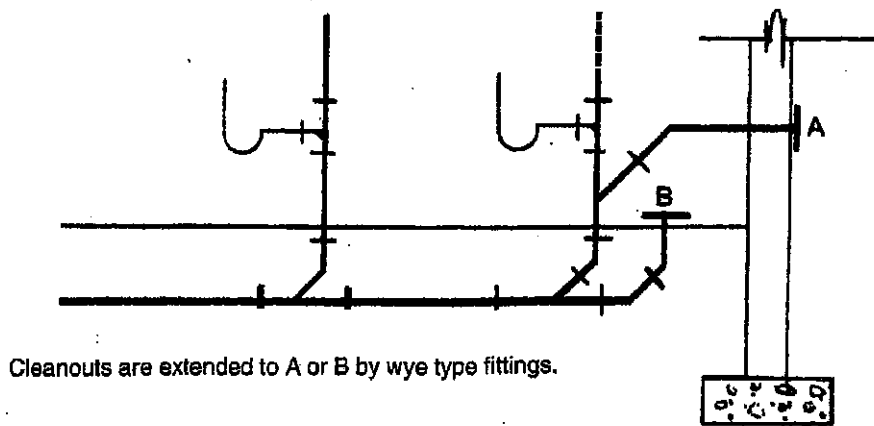
**Figure 7-13**  
Fittings for Changes of Direction of Flow



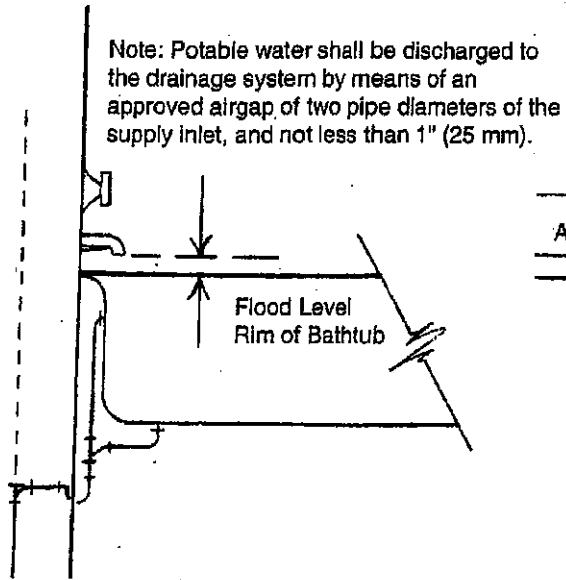
**Figure 7-16**  
Drainage System with Two-Way Cleanout Fittings



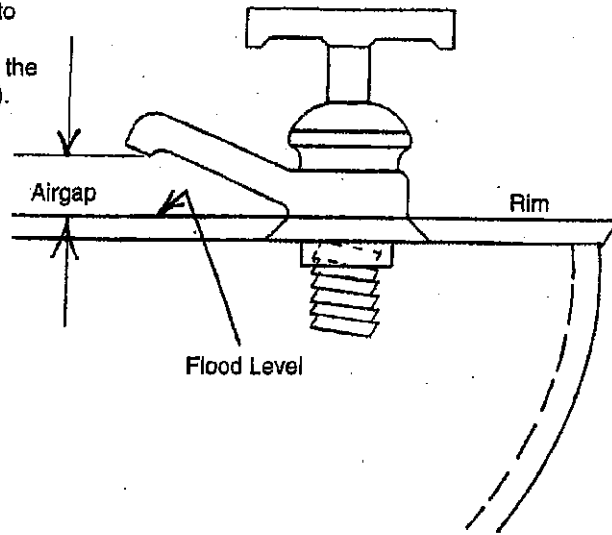
**Figure 7-17**  
Cleanout Location and Direction of Opening



**Figure 7-18**  
Cleanout Extensions

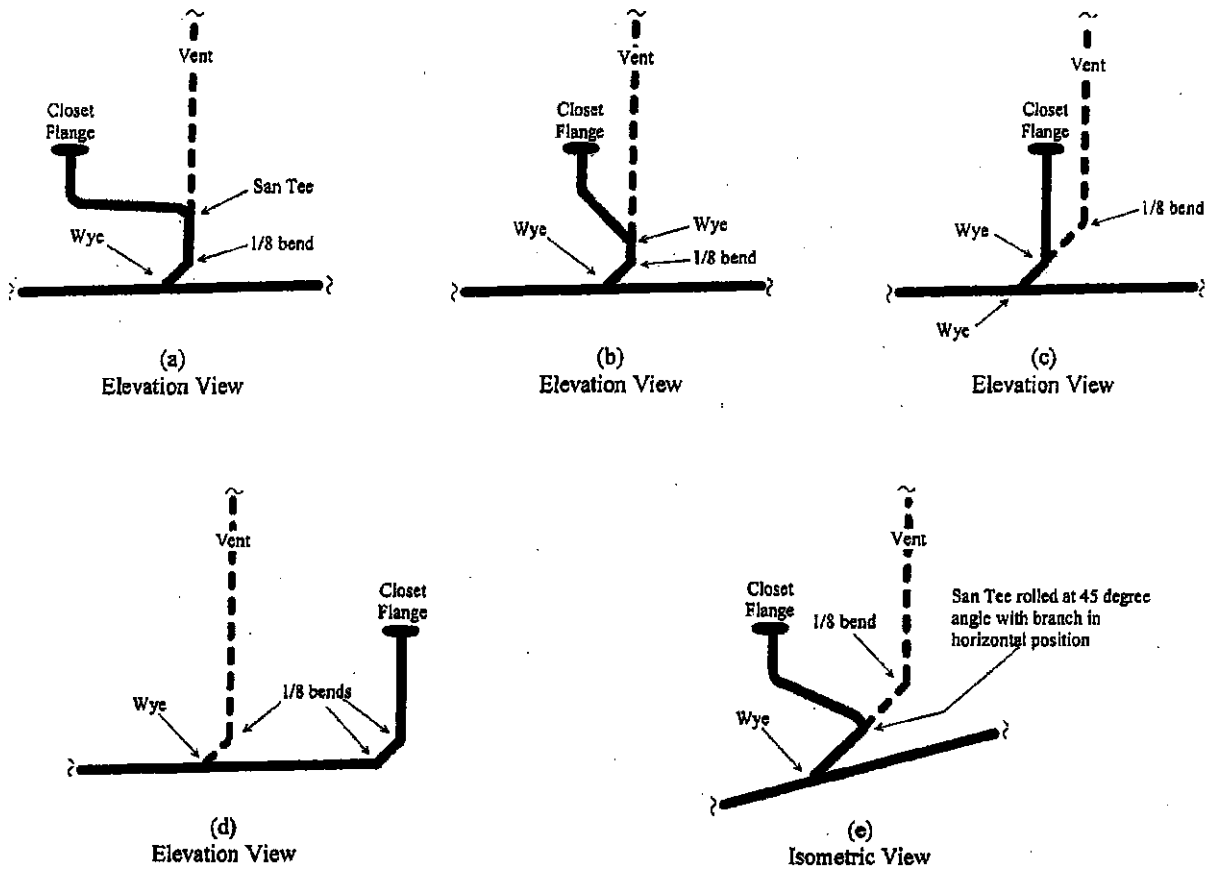


**Figure 8-2A**  
Airgap as Applied to Water Supply

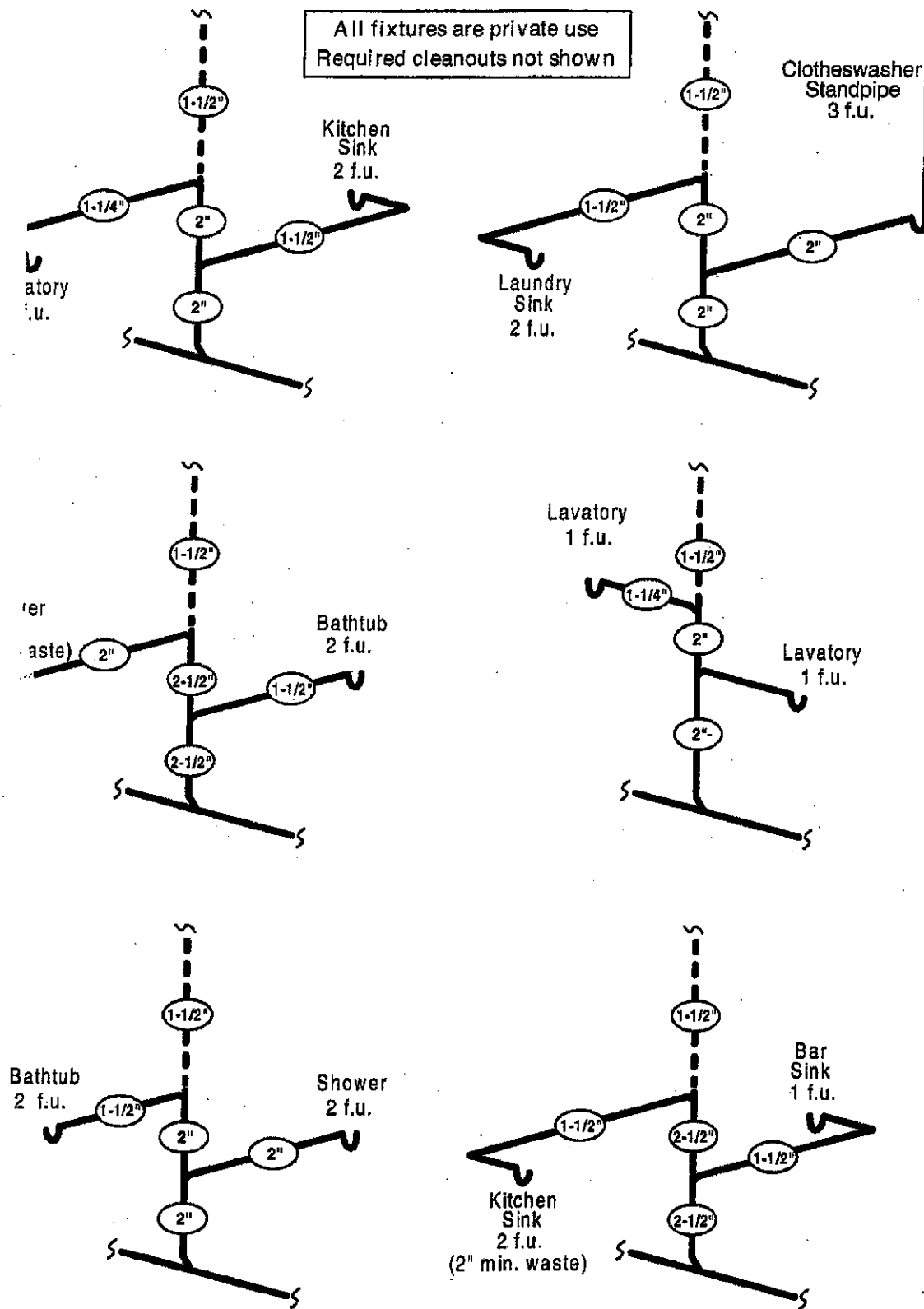


**Figure 8-2B**  
Airgap as Applied to Water Supply

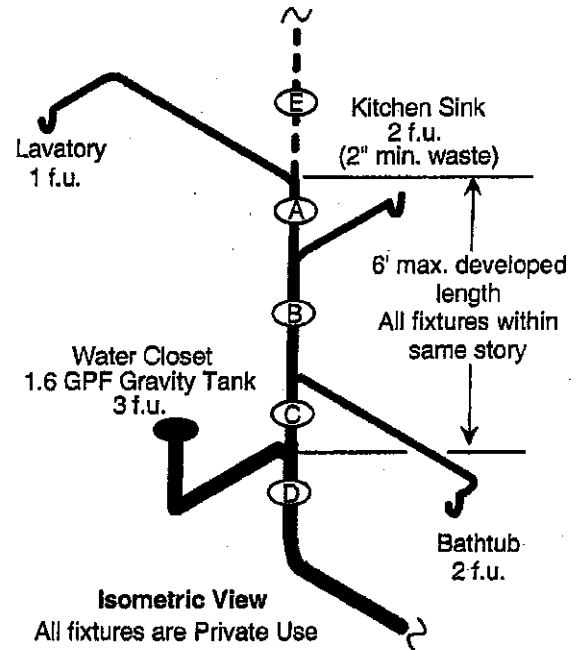
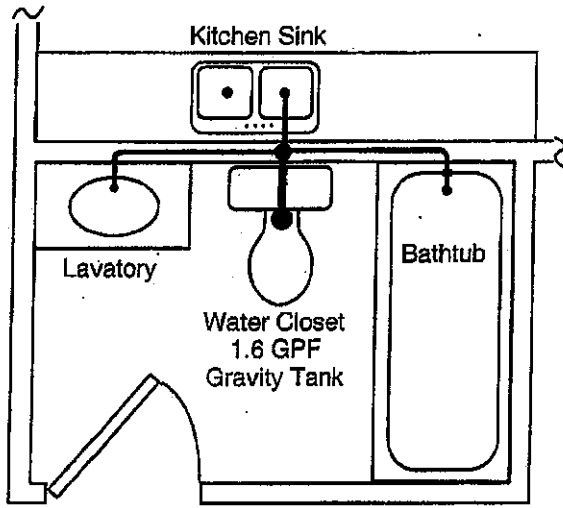




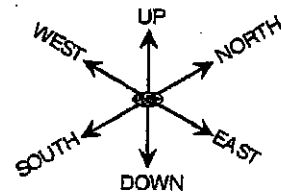
**Figure 9-16**  
Water Closet Rough-In Methods, Maintaining Vertically Rising Vents



**Figure 9-21**  
Examples of Vertical Wet Venting

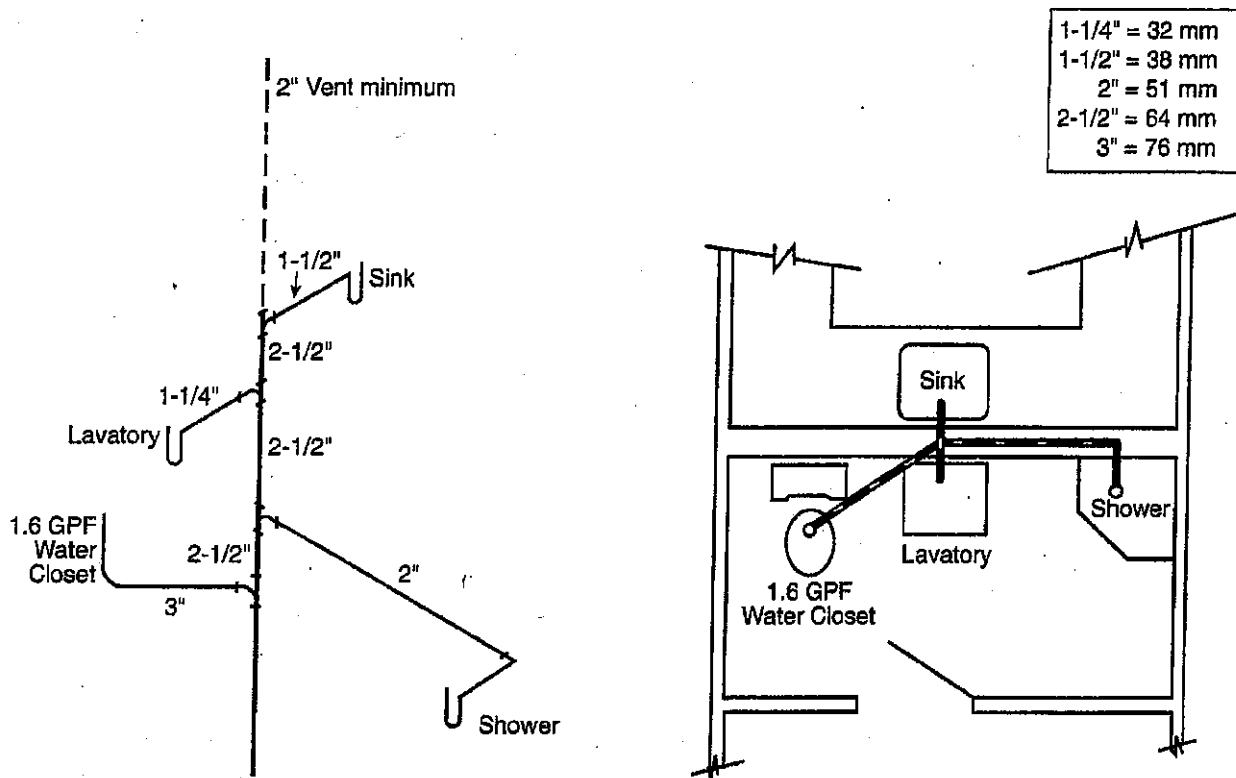


Pipe Section	Fixture Units	Pipe Size
(A)	1	2"
(B)	3	2-1/2"
(C)	5	2-1/2"
(D)	8	3"
(E)	8	2"

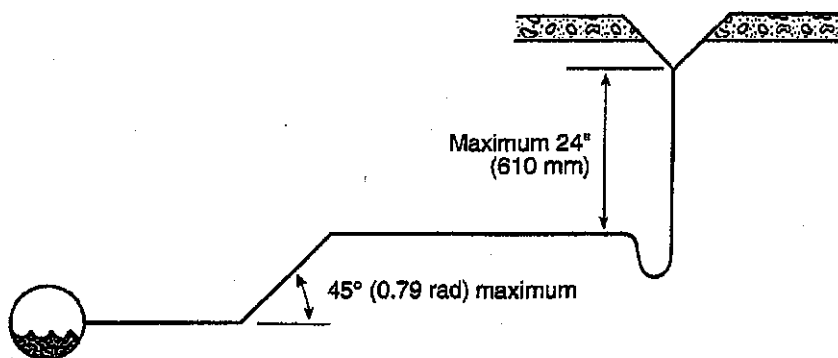


**Isometric Compass**

**Figure 9-20**  
Vertical Wet Venting



**Figure 9-23**  
Typical Vertical Wet Venting Example



**Figure 9-24**  
Typical Tailpiece and Branch