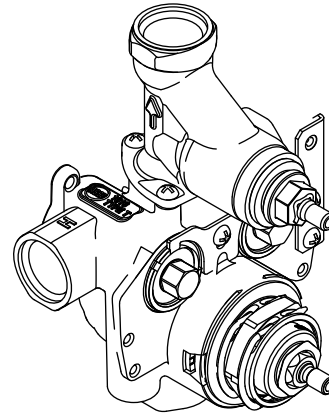


**3/4" THERMOSTATIC MIXER
K-2976-KS**

Features

- Forged brass valve body
- 3/4" quarter-turn washerless ceramic disc valves
- High-temperature limit setting for added safety
- Temperature-balancing mechanism
- Scald hazard prevention
- Integral service stops
- Crossflow prevention
- 3/4" NPT connections
- Serviceable inlet filter screens
- Dual outlet (bottom requires separate control)
- Independent temperature volume controls



Codes/Standards Applicable

Specified model meets or exceeds the following:

- ASSE 1016
- ASME A112.18.1/CSA B125.1

Colors/Finishes

- NA: None applicable

Accessories

- NA: None applicable

Specified Model

Model	Description	Colors/Finishes
K-2976-KS	3/4" thermostatic mixer - with volume control	<input type="checkbox"/> NA
Optional Accessories		
K-2974-K	1/2" volume control valve - for use on bath outlets	<input type="checkbox"/> NA
K-2977-K	3/4" volume control valve - for use on bath outlets	<input type="checkbox"/> NA
K-9663	Twin ell - for use with diverter bath spouts only	<input type="checkbox"/> NA

Product Specification

The thermostatic mixer with independent temperature volume controls shall have a forged brass valve body. Product shall feature a 3/4" quarter-turn washerless ceramic disc valve and 3/4" NPT connections. Product shall feature high-temperature limit stop for added safety, temperature-balancing mechanism, and scald prevention mechanism. Product shall also feature integral service stops, serviceable inlet filter screens, and crossflow prevention. Product shall have two outlets, among which the bottom one requires separate control. The thermostatic mixer shall be Kohler Model K-2976-KS-NA and the optional volume control valve shall be K-____-K-NA.

MASTERSHOWER®

Installation Notes

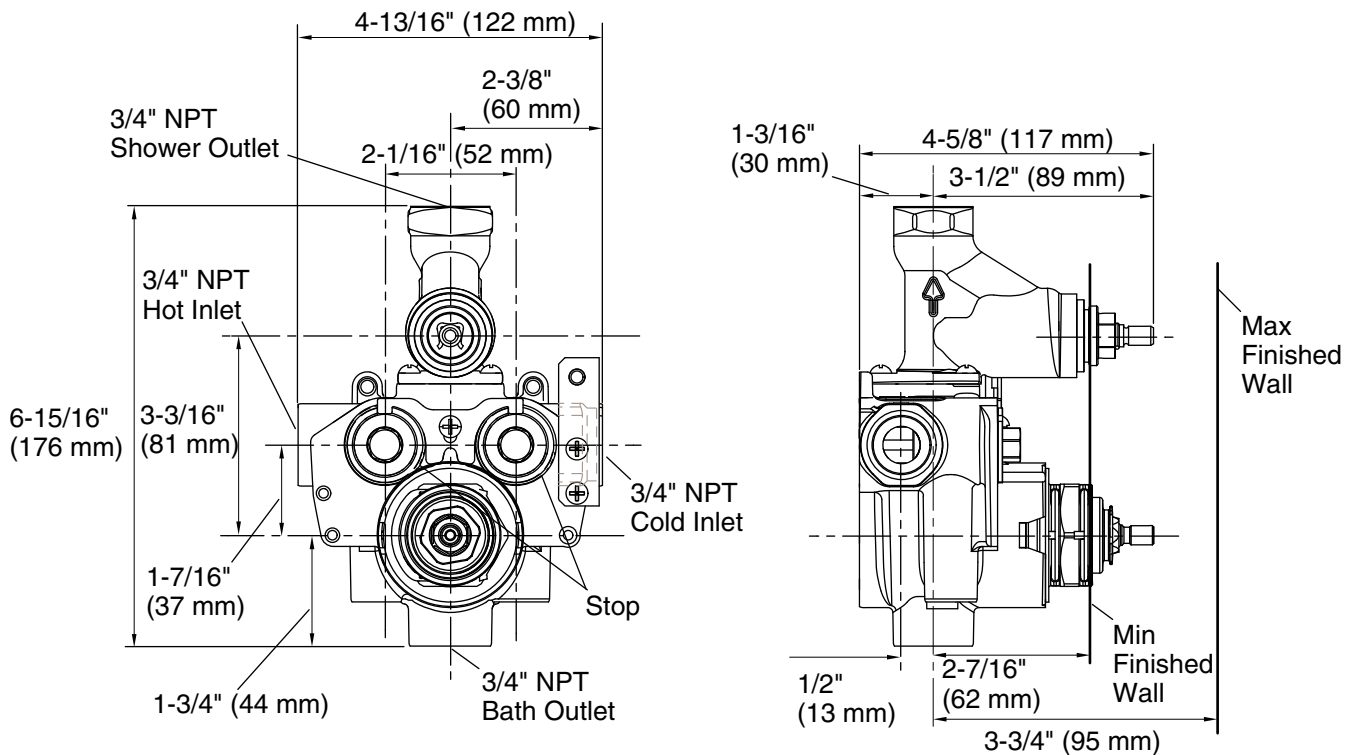
Install this product according to the installation guide.

The K-2976-KS thermostatic mixer valve includes one volume control for shower-only installations. For bath and shower installations, an additional K-2974-K or K-2977-K volume control valve is required for the bath outlet.

An NPT plug must be installed in any unused outlet.

The lower port of the thermostatic mixer is intended for use with a bath spout only. If a bath spout is not used with this product, the lower port must be plugged.

For installations with a diverter spout, a K-9663 twin ell is required between the valve and the spout. A plug must be installed in the lower port of the valve and the supply to the K-9663 twin ell should run from the top port.



Product Diagram