

SHEAR WALL REQUIREMENTS

SHEAR WALL TYPE SPECIFICATION

1/2" PLYWOOD STRUCTURAL I W/D FIELD NAILING 4" O.C. EDGE NAILING @ 12" O.C.

SHEAR TRANSFER BLOCKING OR RIM TO TOP PLATE

A-35'S @ 24" O.C.

BOTTOM PLATE SILL NAILING ANCHOR BOLTS

2x4 WITH 5"X5"X24" SQUARE PLATE WASHERS 16D@6" O.C. 5/8" @ 24" O.C.

SHEAR WALLS

- PLYWOOD SHALL HAVE FRAMING OR BLOCKING AT ALL EDGES OF ALL SHEETS IN SHEAR WALLS.
- ALL DIAPHRAGM AND SHEARWALL NAILING SHALL UTILIZE COMMON OR GALVANIZED BOX NAILS.
- SHEAR WALLS SHALL RUN CONTINUOUSLY FROM FOUNDATION TO ROOF FRAMING 1/2" CD-X SHEATHING WITH 2D NAILS (2" LONG MIN.)

ROOF SHEATHING

7/16" PLYWOOD (CD-CDX) WITH RADIANT BARRIER @ 6/6/12 (BOUNDARY/EDGE/FIELD)-WITH FULL BLOCKING 24/12 SPAN RATING (270 PLF CAPACITY)

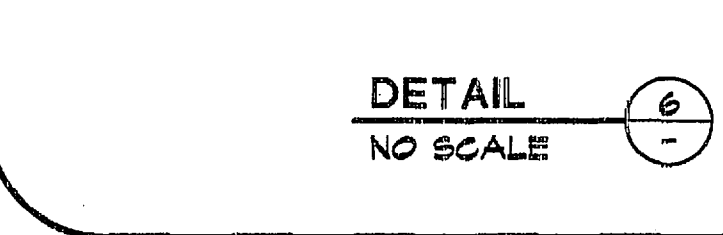
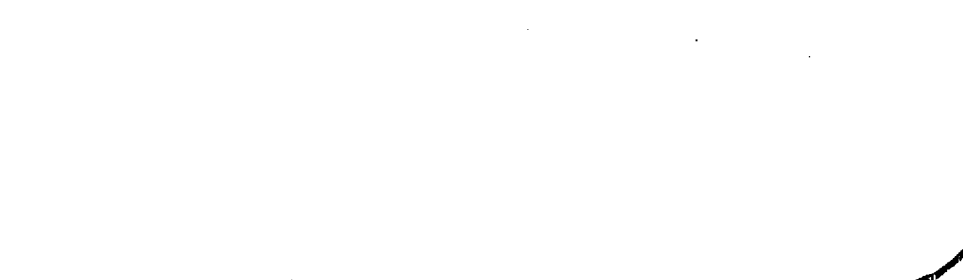
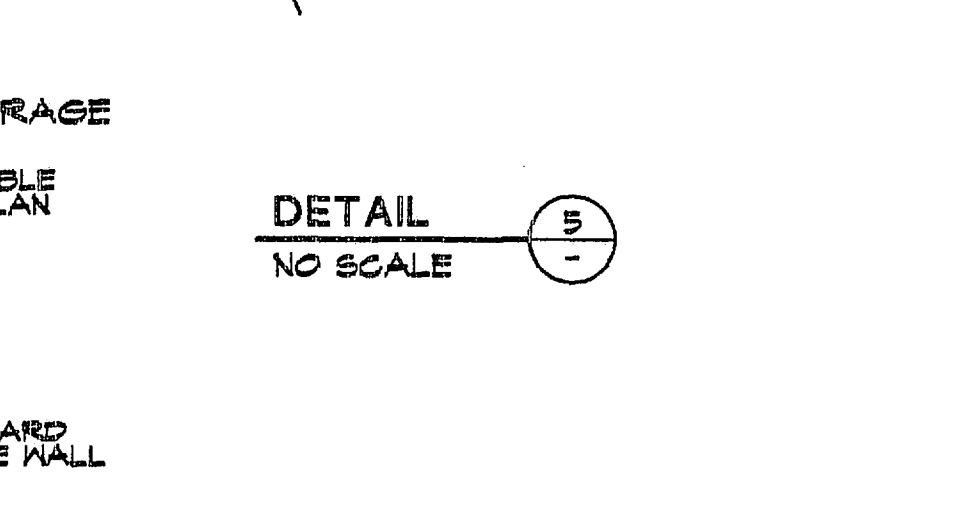
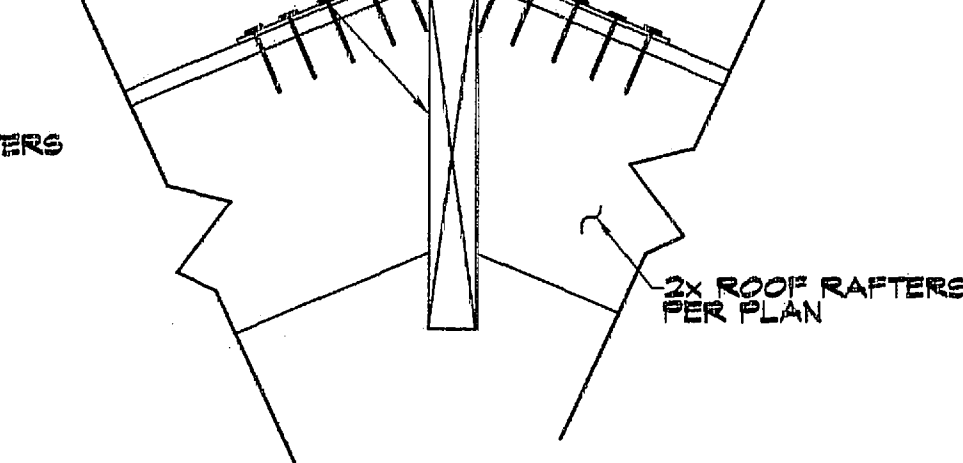
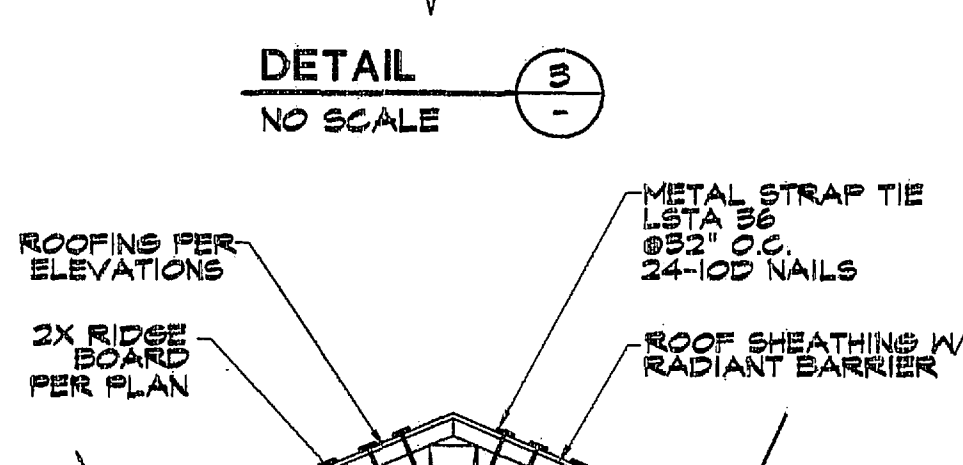
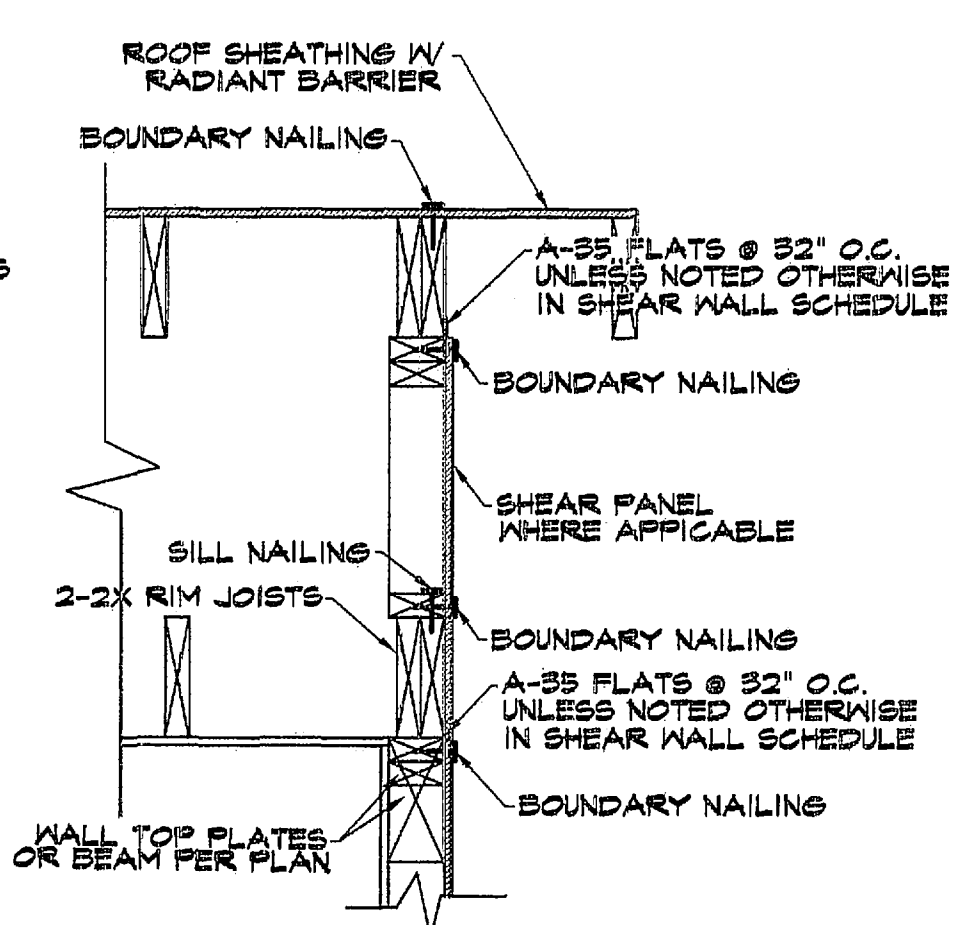
1X6 SHIP LAP SPRUCE WOOD ON EXTERIOR END OF OVERHANG PAINTED AND SEALED

FLOOR SHEATHING

3/4" TONGUE AND GROOVE PANEL SPAN 40/30 NAILING 10D @ 6,12

LUMBER

ALL LUMBER SHALL BE DF#2 UNLESS OTHERWISE SPECIFIED ON FRAMING PLAN OR DETAIL.



FRAMING PLAN

SCALE: 1/4" = 1'-0"

NAILING

ALL NAILING SHALL COMPLY WITH CALIFORNIA BUILDING CODE TABLE 2304.9.1

REVISIONS	BY

GRIFFIN, WILLIAM & MARLENE
HOME IMPROVEMENTS
1803 PURITAN ST.
DOWNEY, CA 90242

FRAMING PLAN AND
CONSTRUCTION DETAILS

DATE	01-28-04
SCALE	AS SHOWN
DRAWN	R.G.
JOB	GRIFFIN
SHEET	5
OF 8 SHEETS	