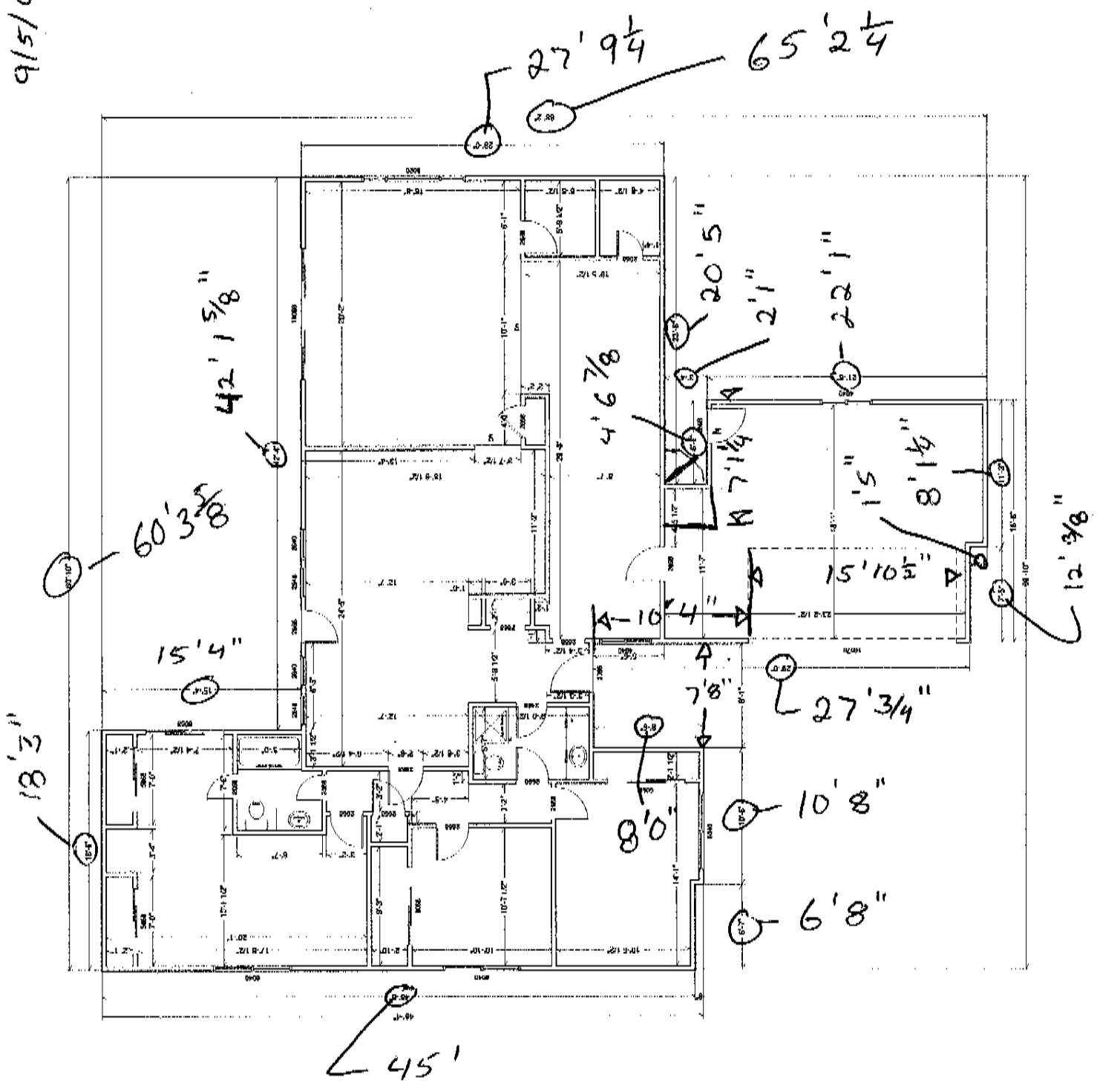
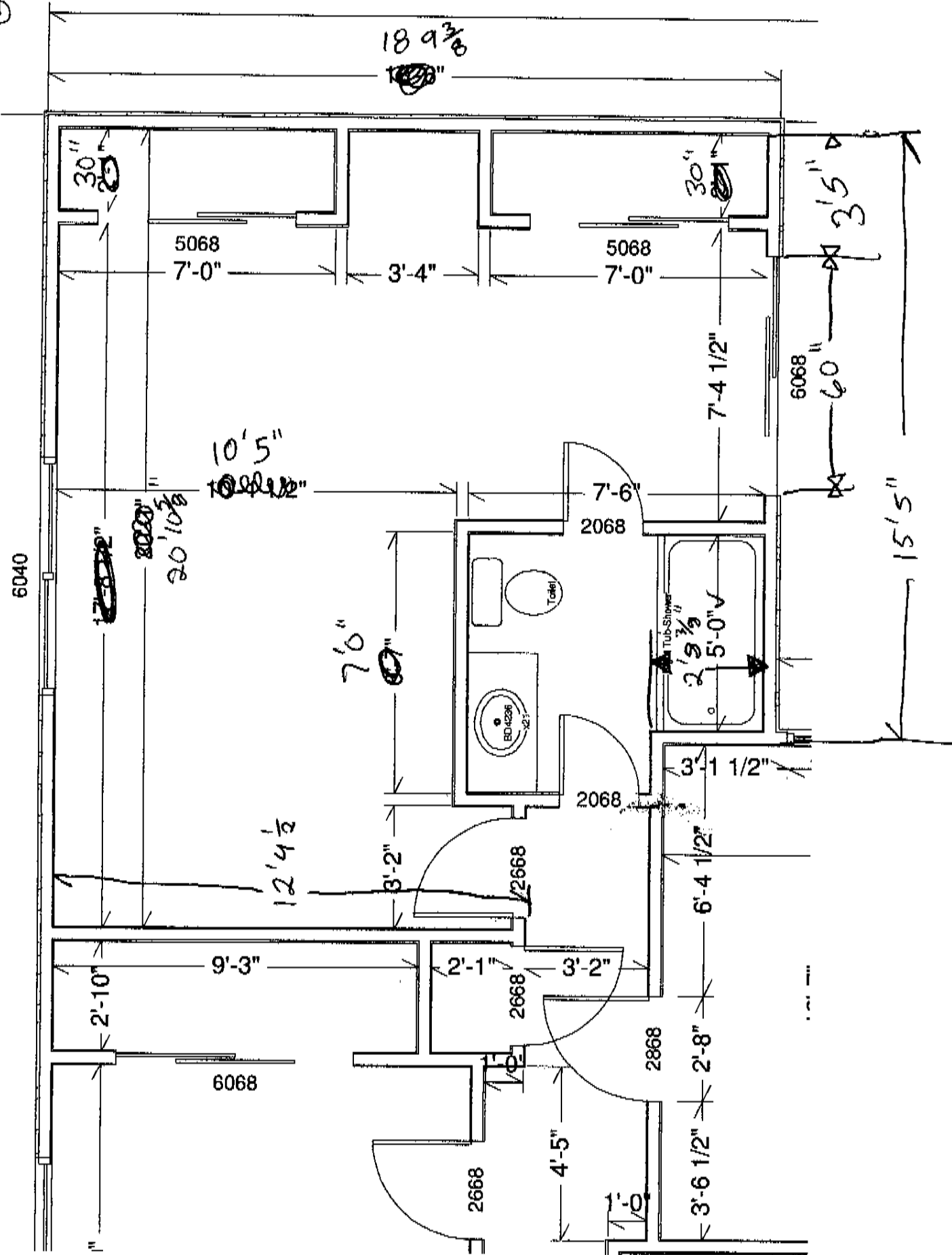


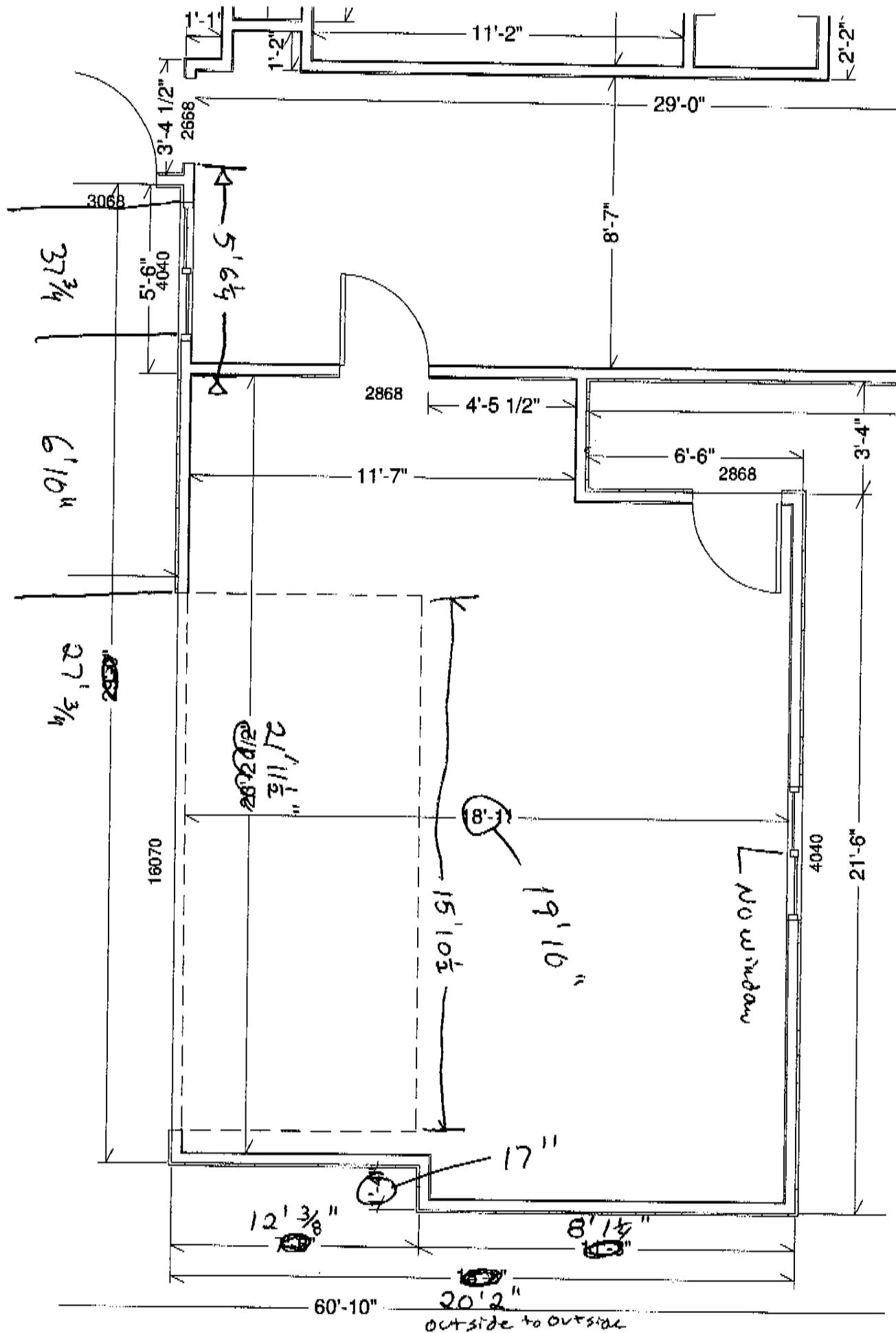
Outside Dimension
9/5/08 *zmg*

①

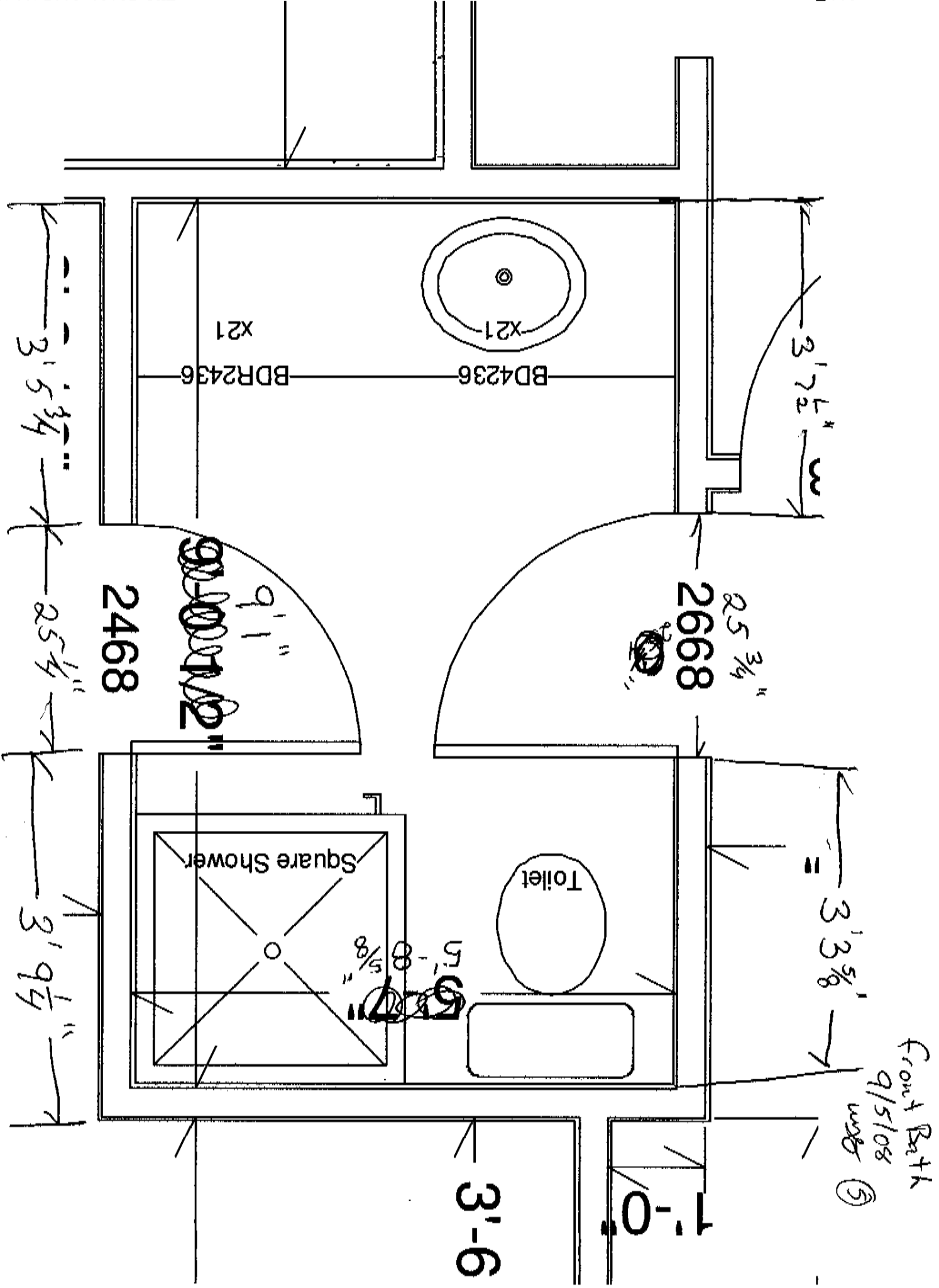


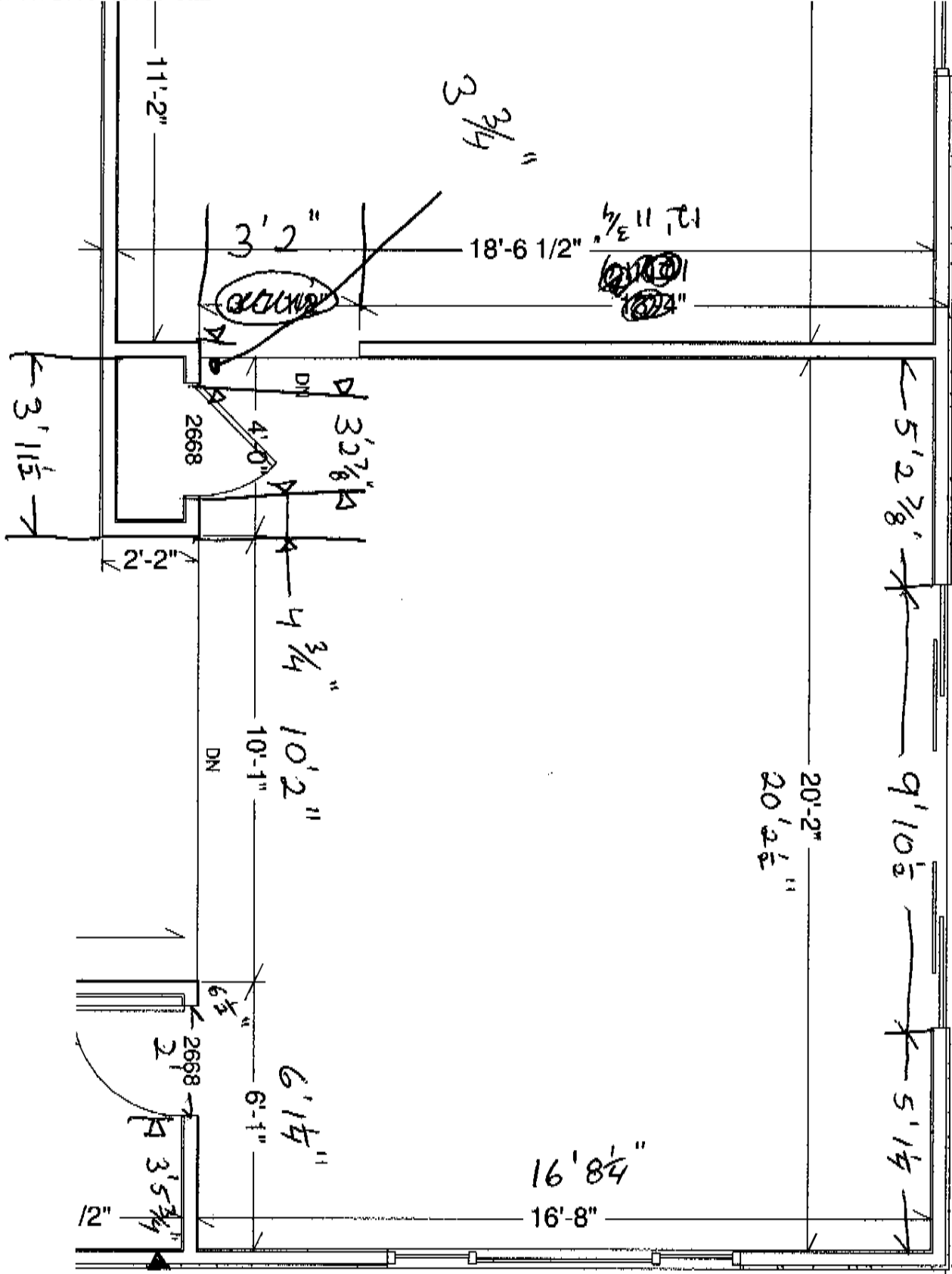
Master Bedroom
9/6/08 ~~wg~~
②





Garage
9/6/08 w/c
(2)





10068

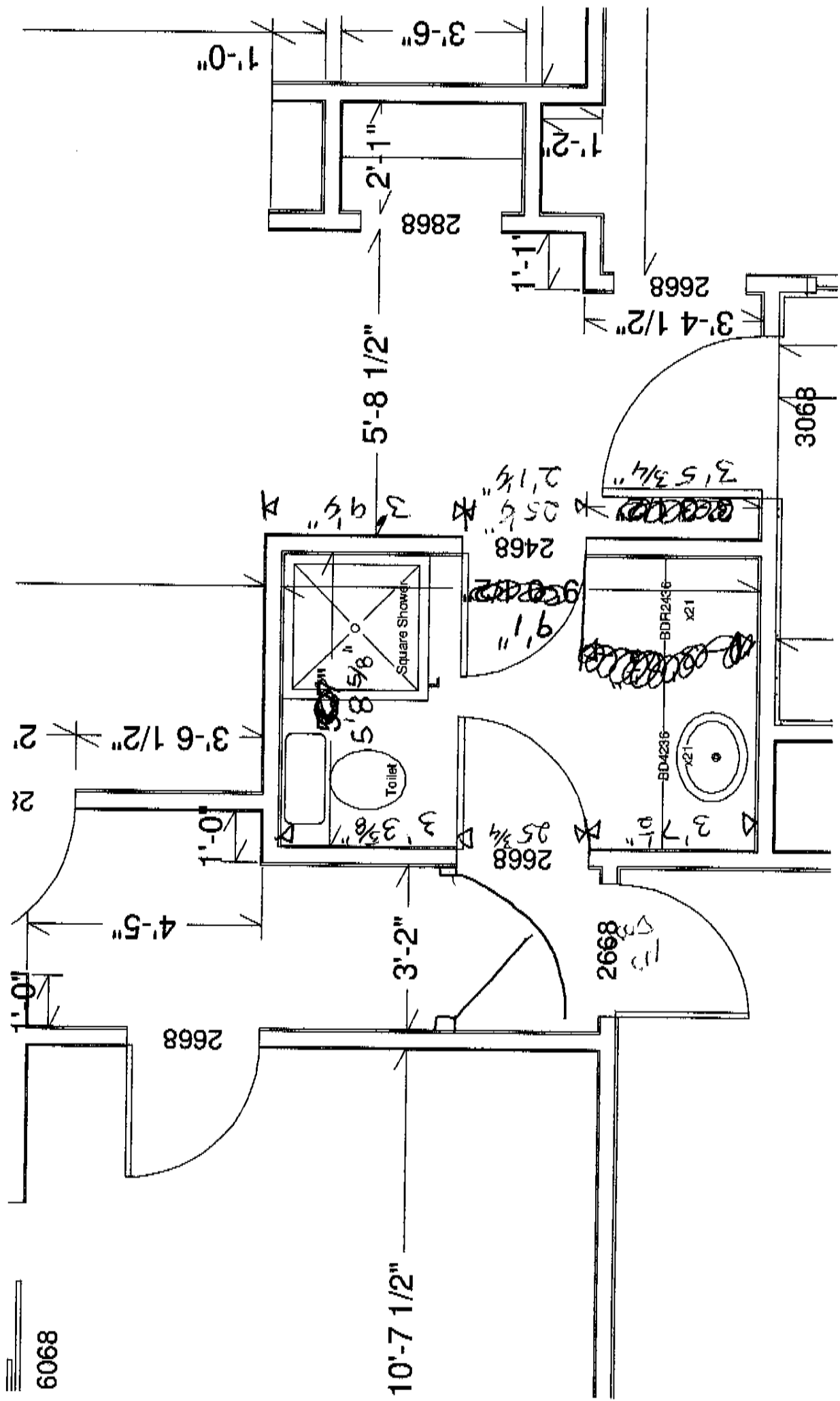
8020

28'-0"

68'-2"

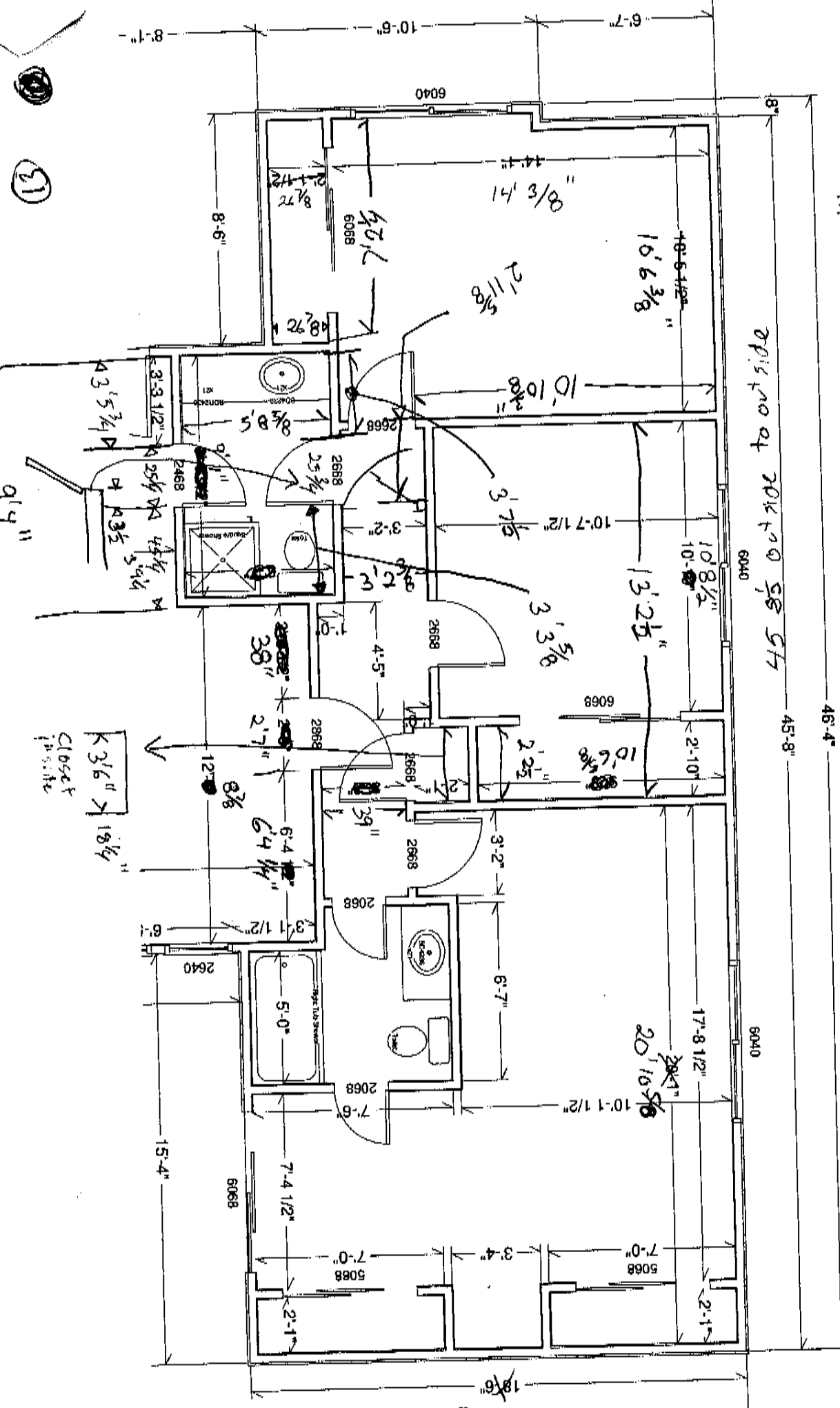
Den
 9-6-08
 WJS
 ①

12



21

8/2 L sh
8/2 L sh
5h



8/2 L sh

