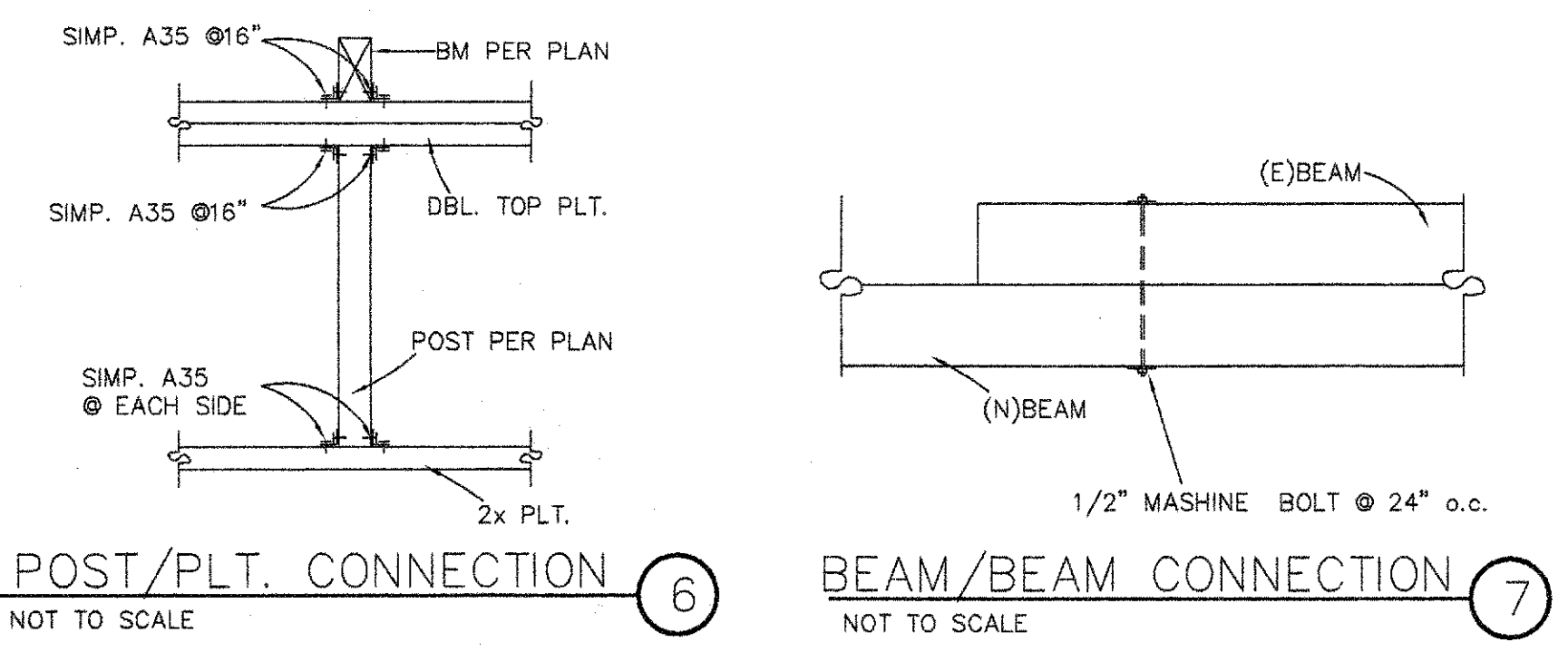
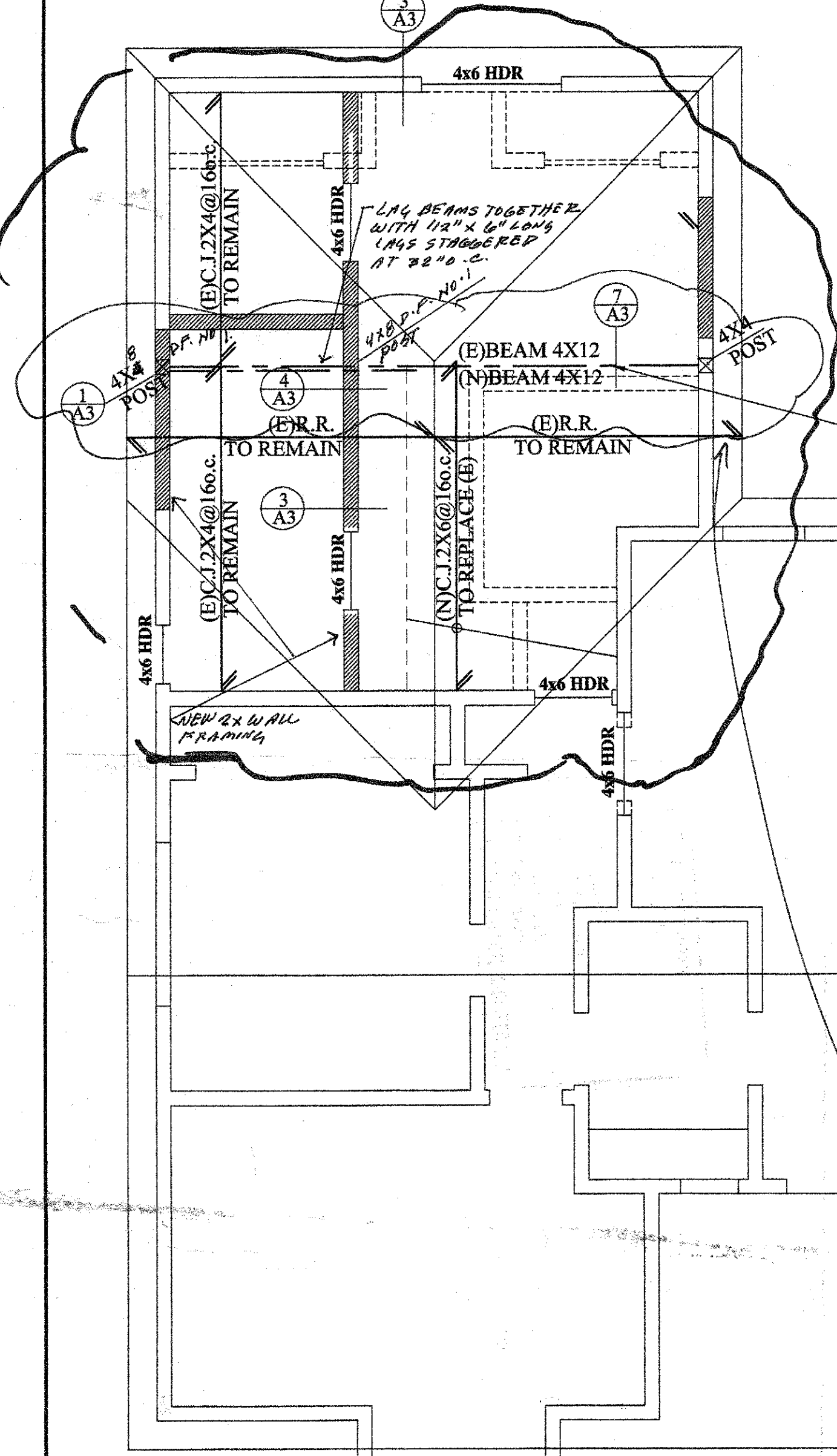
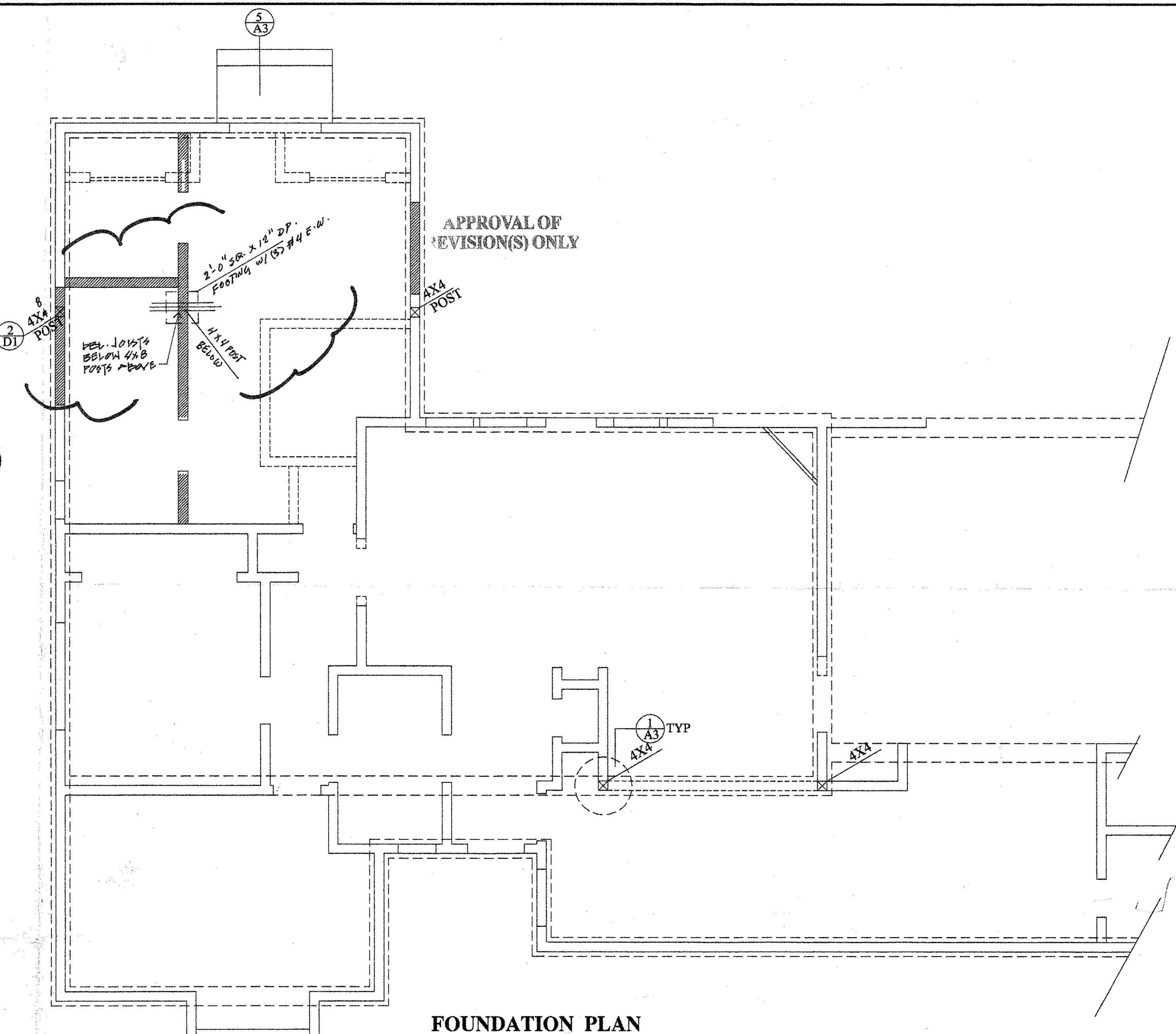
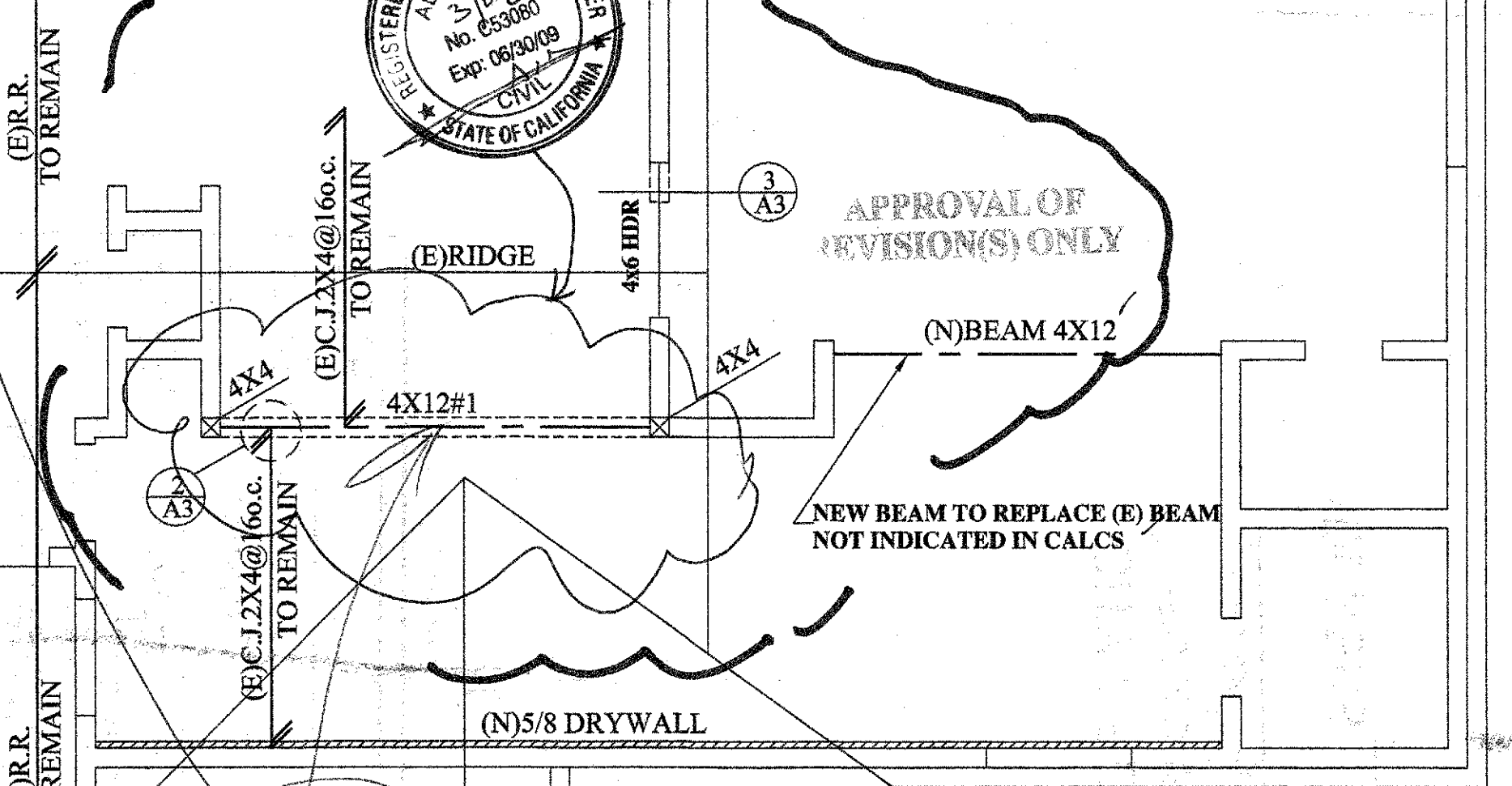


APPROVAL OF REVISION(S) ONLY



NEW BEAM TO REPLACE (E) BEAM NOT INDICATED IN CALCS

NEW DRYWALL FINISH APPLIED AT INTERIOR WALLS

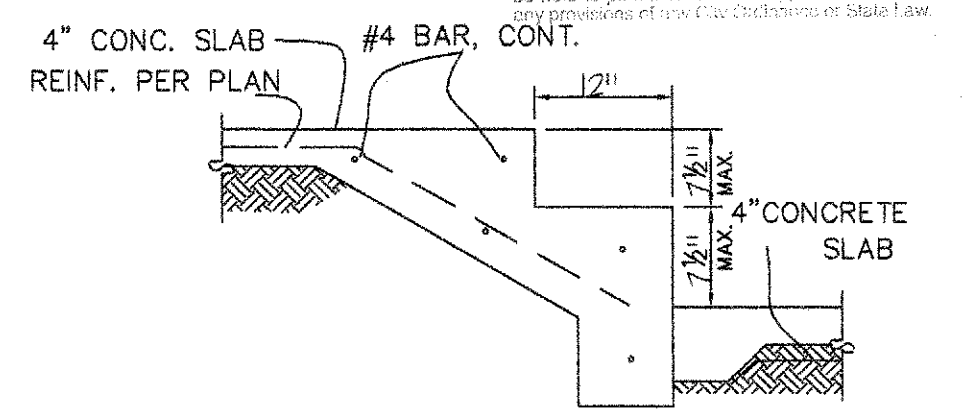
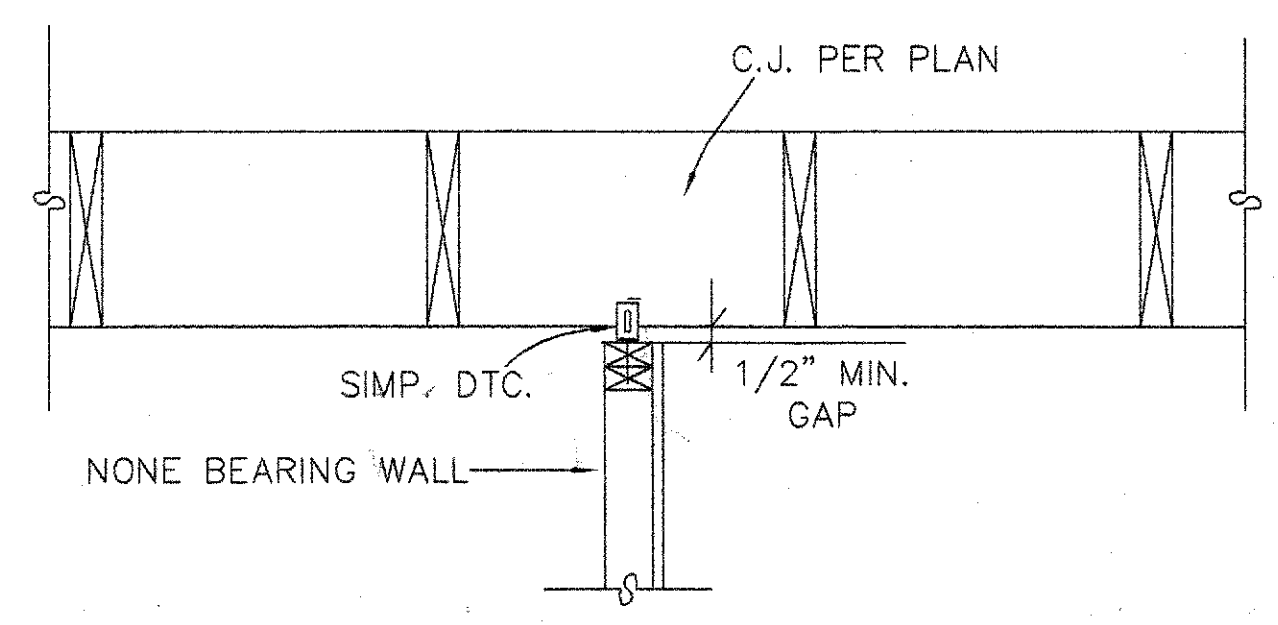
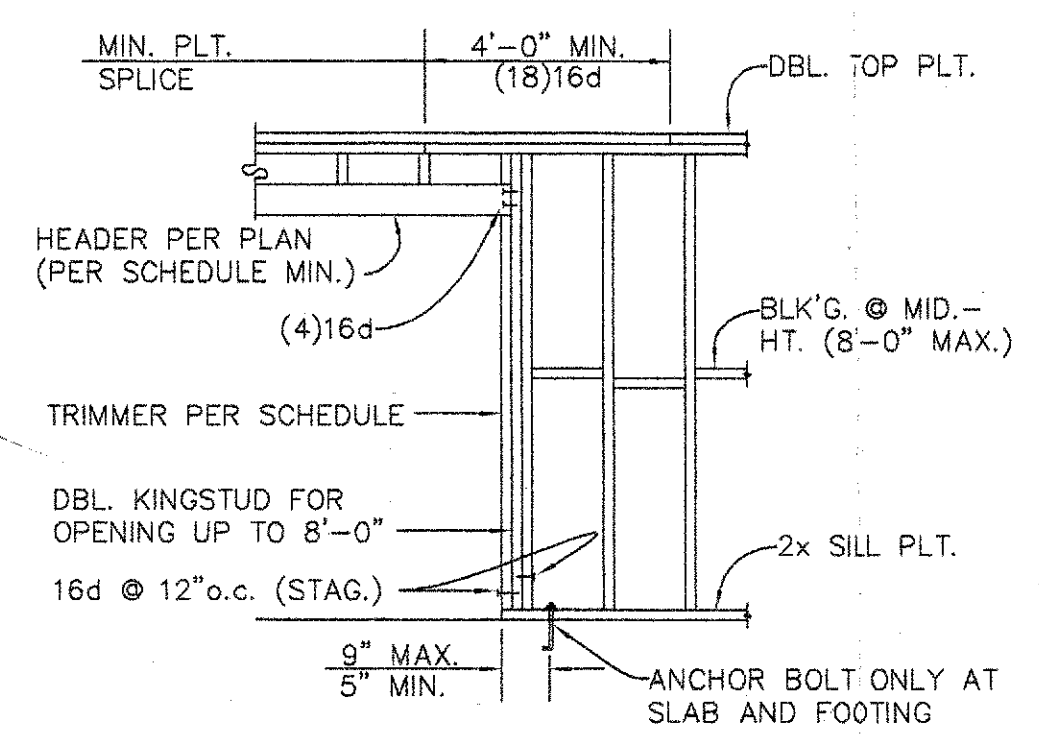


FOUNDATION PLAN

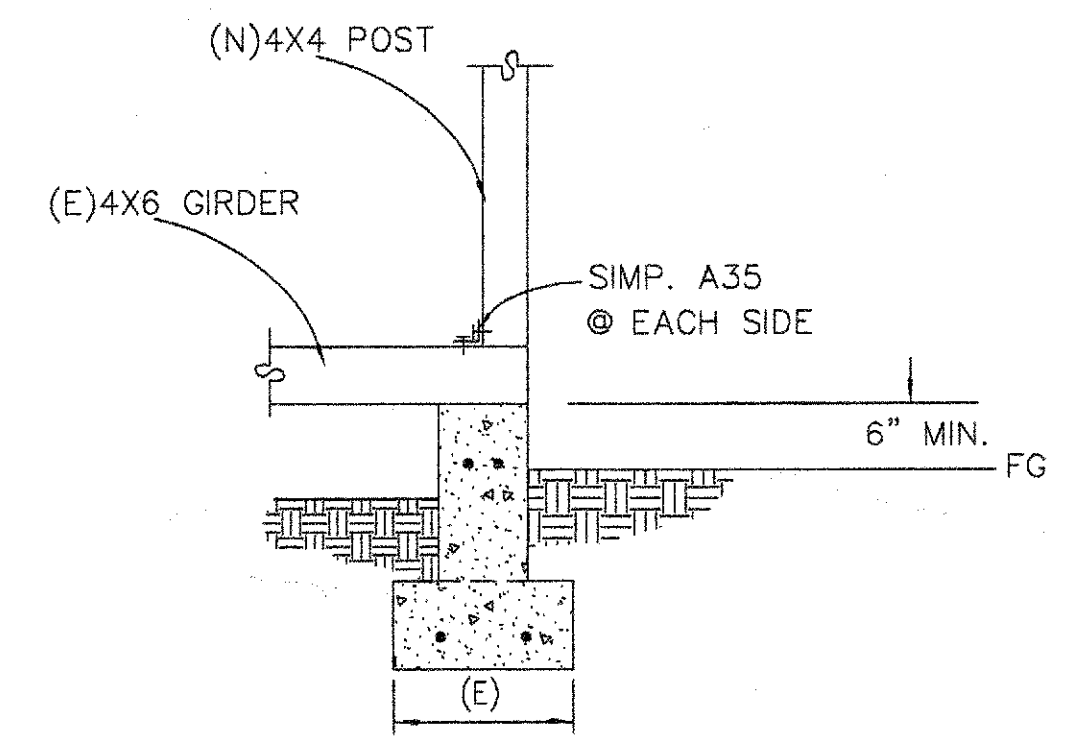
INDICATES EXISTING FOOTING FIELD VERIFY

**ROOF FRAMING PLAN**  
Scale: 1/4" = 1'-0"

**BEAM TO C.J. CONNECTION (2)**  
NOT TO SCALE



**POST CONNECTIONS (1)**  
NOT TO SCALE



CITY OF DOWNEY  
DEPT. OF BUILDINGS & SAFETY  
**APPROVED**  
BY **TB**  
MAR 13 2008

This set of plans and specifications MUST be kept on the jobsite at all times and it is unlawful to make any changes or alterations on these without written permission from the City of Downey Dept. Of Building & Safety, Downey, Calif. This drawing of the plan and specifications herein, NOT to be held to permit or to be an approval of the violation of any provisions of any law, ordinance or state law.

REVISIONS: \_\_\_\_\_ BY: \_\_\_\_\_

**TRITEK ENGINEERING, INC.**  
CIVIL AND STRUCTURAL DESIGN  
ALI BASMA  
REGISTERED PROFESSIONAL ENGINEER  
CALIFORNIA  
7322 DE STONAVILLE BLVD  
CINDERO, CA 91709  
TEL: 951-885-7308 FAX: 951-885-7305

**D. DESIGN, INC.**  
19562 VENTURA BLVD. #217  
TARZANA, CA 91356  
PHONE 818-344-4449

**GRIFFIN FAMILY TRUST**  
7803 PURITAN ST.  
DOWNEY, CA 90242

DATE: 12/06/07  
SCALE: 1/4" = 1'-0"  
DRAWN: MF  
JOB: 07-290  
SHEET: A3