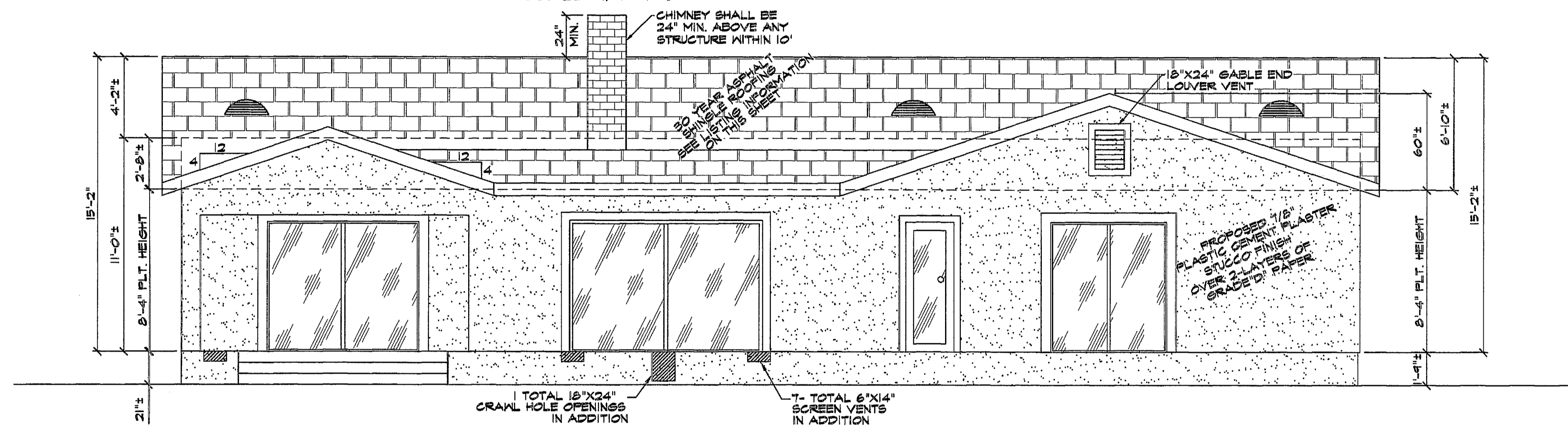
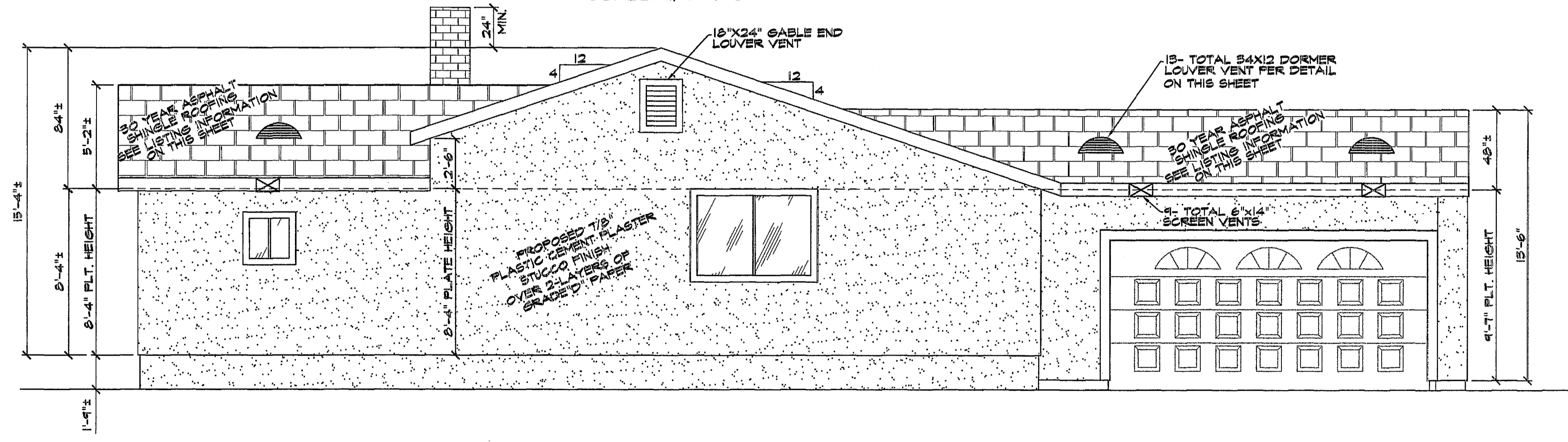


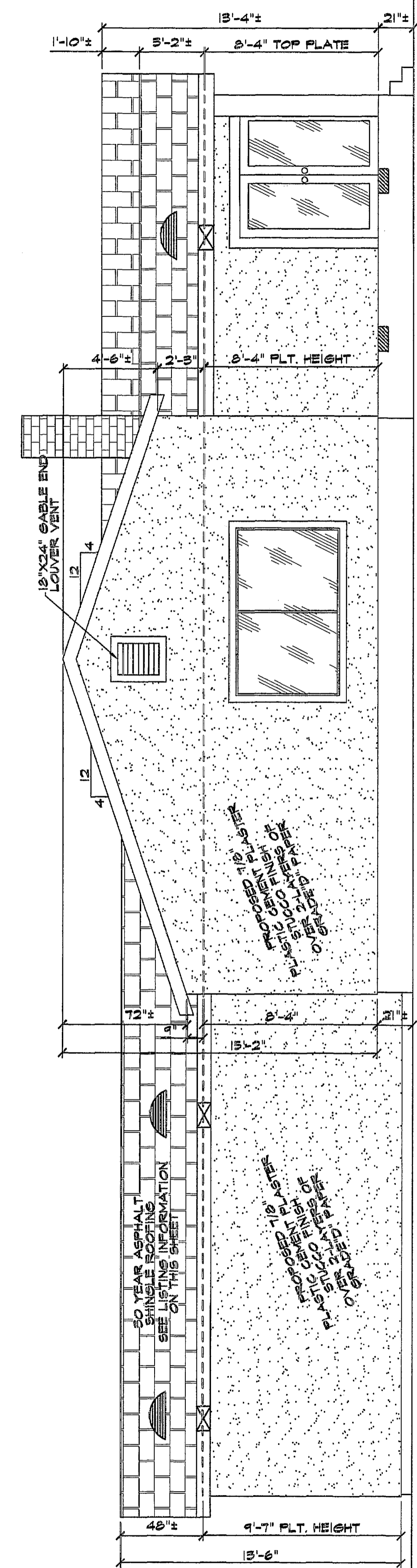
**ELEVATION FROM THE FRONT (EAST)**  
SCALE: 1/4"=1'-0"



**ELEVATION FROM THE REAR (WEST)**  
SCALE: 1/4"=1'-0"



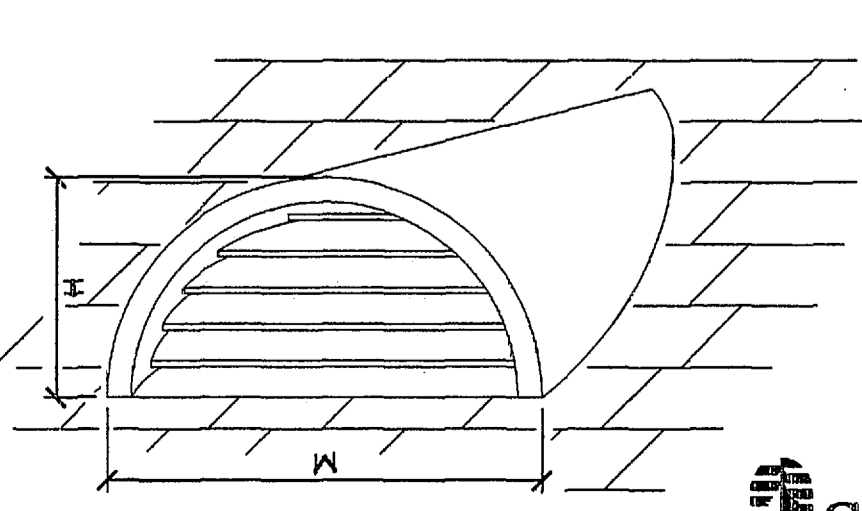
**ELEVATION FROM THE LEFT (SOUTH)**  
SCALE: 1/4"=1'-0"



**ELEVATION FROM THE RIGHT (NORTH)**  
SCALE: 1/4"=1'-0"

**ROOFING (ICCES #1501)**

TYPE: TAMKO LAMINATED ASPHALT SHINGLE ROOFING 30 YEAR HERITAGE ELITE GLASS SEAL  
 MANUFACTURER: TAMKO BUILDING PRODUCTS  
 STYLE: HERITAGE 30 AR  
 WEIGHT: 2 LBS/SQUARE



LOUVER FREE AREA:

18"	8"	42 SQ. IN.
24"	12"	72 SQ. IN.
30"	16"	144 SQ. IN.
48"	24"	288 SQ. IN.

DIMENSIONS AVAILABLE:  
 W H D  
 18 8 2  
 24 12 3  
 30 16 4  
 48 24 6  
 LARGER SIZES AVAILABLE



**ATTIC VENTILATION**

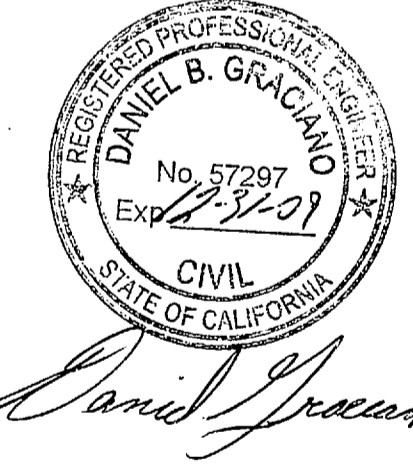
VENTILATION REQUIRED 5,148 SQ. FT./150=21.00 SQ. FT.

DESCRIPTION	QTY.	VENT AREA EACH	FREE VENT AREA
18"X24" LOUVERS	3	3.00 SQ. FT.	9.00 SQ. FT.
18"X12" LOUVERS	1	2.25 SQ. FT.	2.25 SQ. FT.
DORMER LOUVER VENT	15	5 SQ. FT.	6.5 SQ. FT.
6"X14" SCREENS	9	.91 SQ. FT.	8.19 SQ. FT.
<b>TOTAL</b>			<b>25.94 SQ. FT.</b> 25.94 SQ. FT./21.00

**SUB-FLOOR VENTILATION**

SUB-FLOOR AREA-ADDITION 647 SQ. FT.  
 VENTILATION REQUIRED 647 SQ. FT./150=4.31 SQ. FT.  
 6"X14" VENTS TO BE CANCELLED 3=1.75 SQ. FT.  
 VENTILATION NEEDED IN ADDITION 6.06 SQ. FT.

QUANTITY	SYMBOL	QUANTITY	AREA
6"X14" SCREEN VENT (59 SQ. FT EACH)	[Symbol]	3	2.9 SQ. FT.
18"X24" SUB-FLOOR CRAWL SPACE (3 SQ. FT EACH)	[Symbol]	1	3 SQ. FT.
<b>TOTAL VENTILATION</b>			<b>5.9 SQ. FT.</b>



REVISIONS	BY

Griffin, William & Marlene  
 Home Improvements  
 1803 Puritan St.  
 Donney, CA 90242

**ELEVATIONS**

DATE	01-28-04
SCALE	AS SHOWN
DRAWN	R.G.
JOB	GRIFFIN
SHEET	3
OF 3 SHEETS	