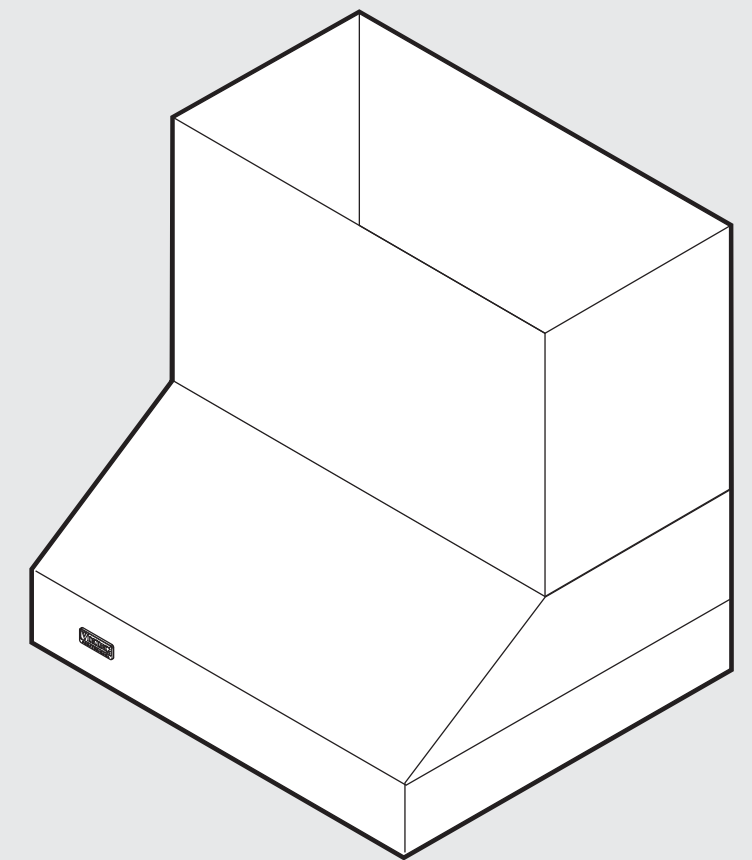


# Viking Installation Guide



Viking Range Corporation  
111 Front Street  
Greenwood, Mississippi 38930 USA  
(662) 455-1200

For product information,  
call 1-888-VIKING1 (845-4641)  
or visit the Viking Web site at  
[vikingrange.com](http://vikingrange.com)



Professional Hoods



# Table of Contents

Warnings & Important Information	3-4
VWH 10"H. Wall Hoods w/Standard Ventilator 24", 30", & 36"	
Dimensions & Specifications	5
Clearance Dimensions	6
Interior Ventilator Dimensions	7
VWH 18"H. 24"/27" Deep Wall Hoods 24", 30", 36", 42", 48", 54", 60", & 66"	
Dimensions & Specifications	8
Clearance Dimensions	9
Interior Ventilator Dimensions	10
Exterior Ventilator Dimensions	11
VWH 18"H. T-Series Wall Hoods 36", 48", & 60"	
Dimensions & Specifications	12
Clearance Dimensions	13
VCWH Chimney Wall Hoods 30", 36", 42", 48", 54", 60", & 66"	
Dimensions & Specifications	14
Clearance Dimensions	15
Interior Ventilator Dimensions	16
Exterior Ventilator Dimensions	17
VIH Island Hoods 36", 42", 54", & 66"	
Dimensions & Specifications	18
Clearance Dimensions	19
Interior Ventilator Dimensions	20
Exterior Ventilator Dimensions	21
VCIH Chimney Island Hoods 36", 42", 54", & 66"	
Dimensions & Specifications	22
Clearance Dimensions	23
Interior Ventilator Dimensions	24
Exterior Ventilator Dimensions	25
VBCV Wall Custom Ventilator System	
Dimensions & Specifications	26
Installing Hood Canopy	27
Clearance Dimensions	28
VBCV Ventilator Dimensions	29
VICV Island Custom Ventilator System	
Dimensions & Specifications	31
Installing Hood Canopy	32
Clearance Dimensions	33
VICV Ventilator Dimensions	34
Planning Information	36
Installation Procedures	
Installation (VWH 10"H. Wall Hoods w/Standard Ventilator)	37
Duct Cover Option (VWH 10"H. Wall Hoods w/Standard Ventilator)	39
Installation (VWH 10"H. Wall Hoods w/Recirculating Kit)	39
Installation (VWH 18"H. Wall & VCWH Chimney Wall Hoods)	42
Duct Cover Option (VWH 18"H. Wall Hoods)	43
Duct Cover Option (VCWH Chimney Wall Hoods)	44
Installation (VIH/VCIH Island Hoods)	45
Service & Registration	47

# IMPORTANT—Please Read and Follow!

**NOTE:** If installing hood with warming shelf panel, install warming shelf panel first.

## IMPORTANT – PLEASE READ AND FOLLOW

- Before beginning, please read these instructions completely and carefully.
- Do not remove permanently affixed labels, warnings, or plates from the product. This may void the warranty.
- Please observe all local and national codes and ordinances. If no local codes are applicable, wire in accordance with the National Electrical Code, ANSI/NFPA 70-latest edition.
- Damp environment approved models should be installed in a covered non-enclosed area and should be protected from the elements as much as possible.
- The installer should leave these instructions with the consumer who should retain for local inspector's use and for future reference.
- Check with a qualified and trained installer or local codes for makeup air requirement, if any.

This hood is for residential installation only and is not designed for installation over a commercial product. Make sure power is off at the main circuit breaker or fuse box before making connections. To avoid risk of fire, electric shock, or injury to persons, turn off the electricity to the hood from the power supply before servicing or cleaning. Viking hoods are equipped with variable speed control blowers. These units will not function with a single speed ventilator. All Viking Range ventilator kits are designed specifically for use with Viking Range hoods. Use of any non-Viking Range ventilator kit will void the hood warranty.

Viking hoods are equipped with the variable speed controls for blowers. These units will not function with a single speed ventilator. All Viking ventilator kits are designed specifically for use with Viking hoods. Use of any non-Viking ventilator kit will void the hood warranty.

## READ AND SAVE THESE INSTRUCTIONS

## ⚠ WARNING

To reduce the risk of fire, electric shock, or injury to persons, observe the following:

- Use this unit only in the manner intended by the manufacturer. If you have any questions, contact the manufacturer.
- Before servicing or cleaning unit, switch power off at service panel and lock service panel to prevent power from being switched on accidentally. When the service disconnecting means cannot be locked, securely fasten a prominent warning device, such as a tag, to the service panel.

## ⚠ WARNING

TO REDUCE THE RISK OF FIRE, ELECTRICAL SHOCK, OR INJURY TO PERSONS, OBSERVE THE FOLLOWING:

1. Installation work and electrical wiring must be done by qualified person(s) in accordance with all applicable codes and standards, including fire-rated construction.
2. Sufficient air is needed for proper combustion and exhausting of gases through the flue (chimney) of fuel burning equipment to prevent back drafting. Follow the heating equipment manufacturer's guideline and safety standards such as those published by the National Fire Protection Association (NFPA), and the American Society for Heating, Refrigeration and Air Conditioning Engineers (ASHRAE), and the local code authorities.
3. When cutting or drilling into wall or ceiling, do not damage electrical wiring and other hidden utilities.
4. Ducted fans must always be vented to the outdoors.
5. **WARNING!** To reduce risk of fire, use only metal ductwork
6. **CAUTION!** To reduce risk of fire and to properly exhaust air, be sure to duct air outside. Do not vent exhaust air into spaces within walls or ceilings, or into attics, crawl spaces, or garages.
7. **CAUTION!** To Reduce the Risk of Fire and Electric Shock, Install this rangehood only with remote blower models manufactured by Viking, model numbers – DEV900/DEV1200, VEV900/VEV1200, OR DEV1500, VEV1500 or integral blowers manufactured by Viking, model numbers – DIV300, DIV440, DIV600, DIV800, DIV1200, VIV300, VIV600, or VIV1200. NOTE – Please refer inside for specific canopy/blower combinations.

# IMPORTANT—Please Read and Follow!

## ⚠ WARNING

To reduce the risk of injury to persons in the event of a rangetop grease fire, observe the following. (Based on "Kitchen Firesafety Tips," published by NFPA.)

1. SMOTHER FLAMES with a close fitted lid, cookie sheet, or metal tray, then turn off the burner. BE CAREFUL TO PREVENT BURNS. If the flames do not go out immediately, EVACUATE AND CALL THE FIRE DEPARTMENT.
2. NEVER PICK UP A FLAMING PAN. You may be burned.
3. DO NOT USE WATER, including wet dishcloths or towels a violent steam explosion will result.
4. Use an extinguisher ONLY if
  - You know it is a Class ABC extinguisher, and you already know how to operate it.
  - The fire is small and contained in the area where it started.
  - The fire department is being called.
  - You can fight the fire with your back to an exit.

## ⚠ CAUTION

For general ventilating use only. Do not use to exhaust hazardous or explosive materials and vapors.

## ⚠ WARNING

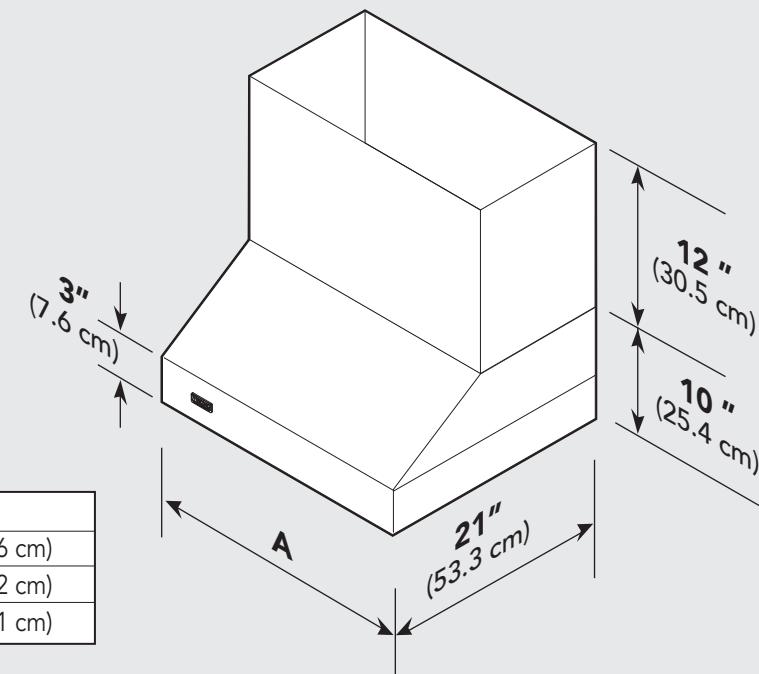
TO REDUCE THE RISK OF FIRE, ELECTRICAL SHOCK, OR INJURY TO PERSONS

Rangehoods must be installed with the ventilators that are specified on their carton indicating suitability with this model. Other ventilators cannot be substituted.



# Dimensions & Specifications

(VWH 10"H. Wall Hoods w/Standard Ventilator 24", 30", & 36")



A (Hood width)	
24"W.	23-7/8" (60.6 cm)
30"W.	29-7/8" (76.2 cm)
36"W.	35-7/8" (91.1 cm)

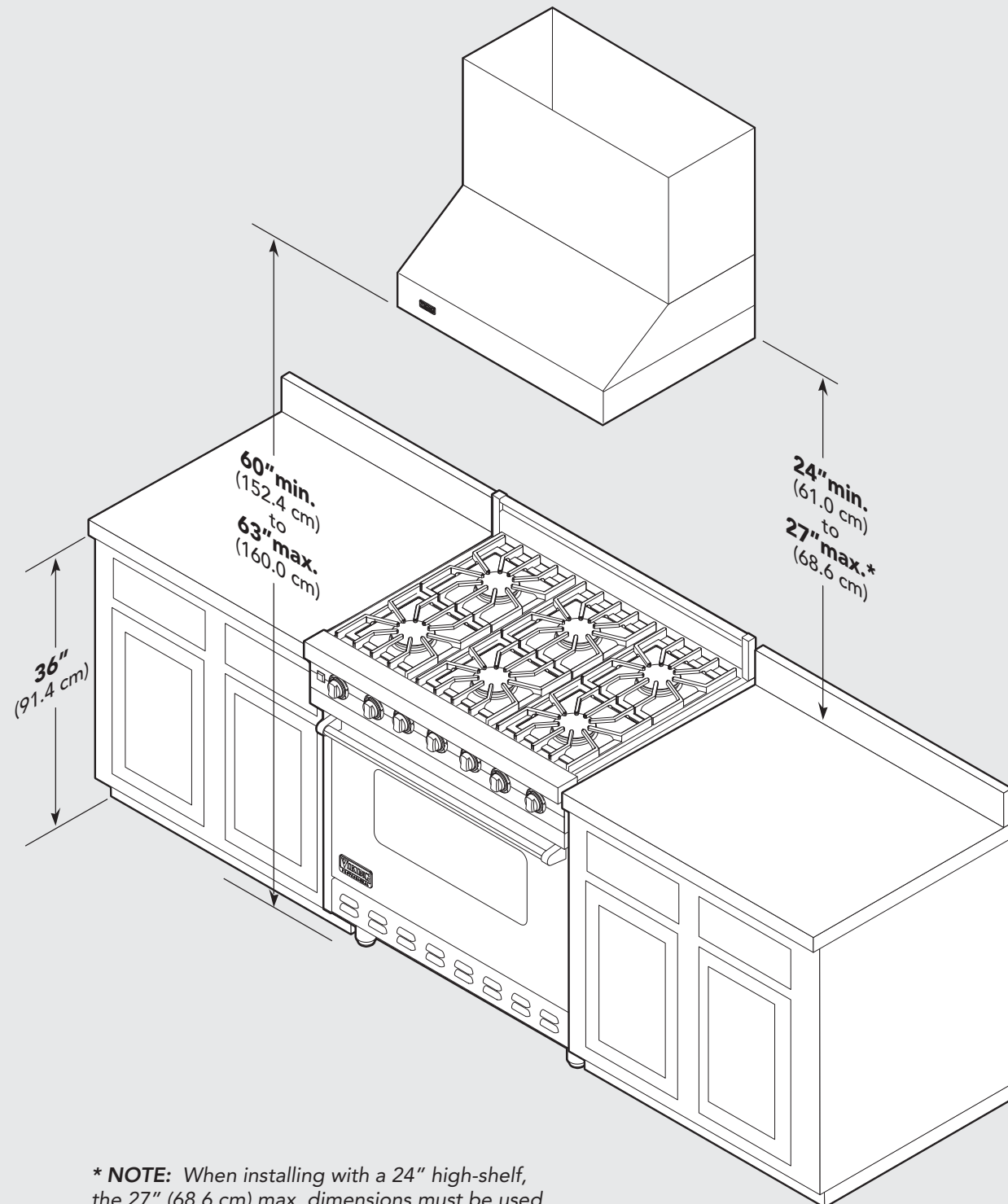
NOTE: Optional duct cover sold separately.

VWH 10"H. Wall Hoods w/Standard Ventilator			
Description	24"	30"	36"
Duct cover width	23-7/8" (60.6 cm)	29-7/8" (75.9 cm)	35-7/8" (91.1 cm)
Duct cover depth	12" (30.5 cm)		
Duct cover height	12" (30.5 cm)		
Number of lights	2		
Number of filters	2		
Heat lamps	N/A		
Interior ventilator kit	460 CFM Standard		
Interior duct size*	7" (17.8 cm)		
Interior—Maximum amps	5.6		

\* Disregard when using recirculating kits. 460 CFM blower is shipped with hood.

# Clearance Dimensions

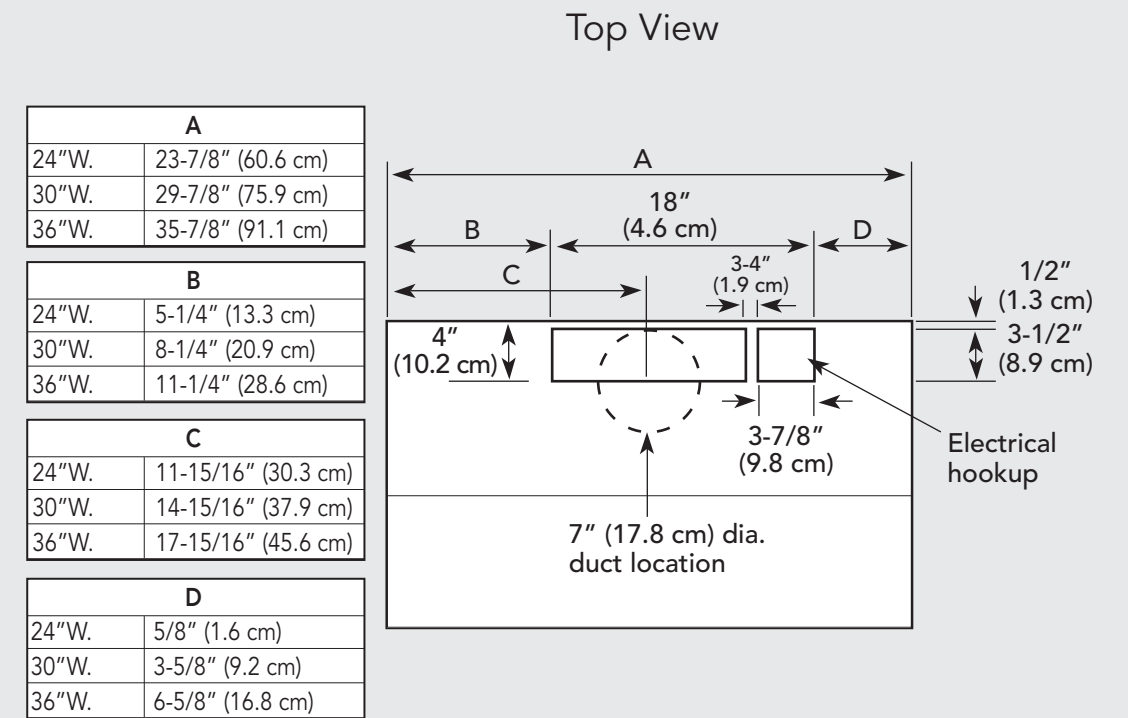
(VWH 10"H. Wall Hoods w/Standard Ventilator)



\* NOTE: When installing with a 24" high-shelf, the 27" (68.6 cm) max. dimensions must be used.

# Interior Ventilator Dimensions

(VWH 10"H. Wall Hoods w/Standard Ventilator)



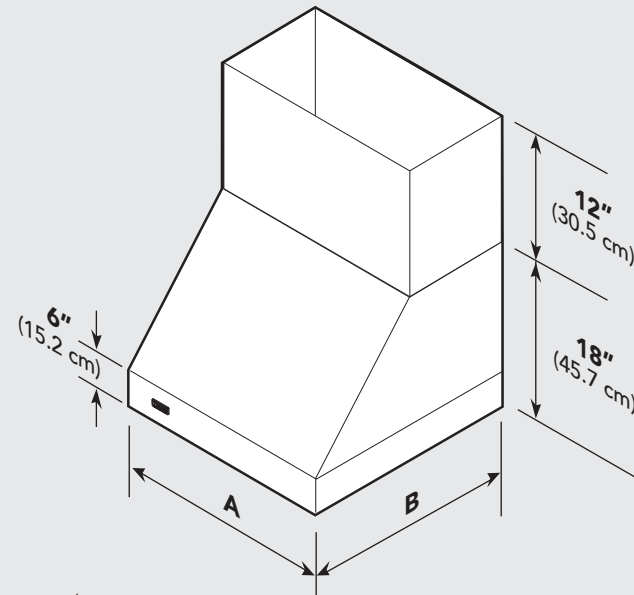
460 CFM Interior Ventilator Installation

# Dimensions & Specifications

(VWH 18"H. 24" Deep Wall Hoods 24", 30", 36", 42", 48", 54", 60", & 66")  
 (VWH 18"H. 27" Deep Wall Hoods 30", 36", 42", 48", 54", 60", & 66")

A (Hood width)	
24"W.	23-7/8" (60.6 cm)
30"W.	29-7/8" (76.2 cm)
36"W.	35-7/8" (91.1 cm)
42"W.	41-7/8" (106.4 cm)
48"W.	47-7/8" (121.6 cm)
54"W.	53-7/8" (136.8 cm)
60"W.	59-7/8" (152.1 cm)
66"W.	65-7/8" (167.3 cm)

B (Hood depth)	
24"D.	24" (61.0 cm)
27"D.	27" (68.6 cm)



**NOTE:** Optional duct cover sold separately.

VWH 18"H. Wall Hoods								
Description	24"	30"	36"	42"	48"	54"	60"	66"
Duct cover width	23-7/8" (60.6 cm)	29-7/8" (75.9 cm)	35-7/8" (91.1 cm)	41-7/8" (106.4 cm)	47-7/8" (121.6 cm)	53-7/8" (136.8 cm)	59-7/8" (152.1 cm)	65-7/8" (167.3 cm)
Duct cover depth	12" (30.5 cm)							
Duct cover height	12" (30.5 cm)							
Number of lights	2	2	2	2	3	3	4	4
Number of filters	2	2	2	2	3	3	4	4
Heat lamps	1	1	1	1	2	2	2	2
Interior ventilator kits	VINV300/600	VINV300/600/1200	VINV300/600/1200	VINV600/1200	VINV1200*	VINV1200*	VINV1200*	VINV1200*
Exterior ventilator kits	DEV900/1200*	DEV900/1200*	DEV900/1200*	DEV900/1200*	DEV1200*/1500**	DEV1200*/1500**	DEV1200*/1500**	DEV1200*/1500**
In-line ventilator kits	DIL900/1200	DIL900/1200	DIL900/1200	DIL900/1200	DIL1200	DIL1200	DIL1200	DIL1200
Interior duct size	7" (17.8 cm)	7"/10" (17.8/25.4 cm)	7"/10" (17.8/25.4 cm)	7"/10" (17.8/25.4 cm)	10" (25.4 cm)	10" (25.4 cm)	10" (25.4 cm)	10" (25.4 cm)
Exterior duct size	10" (25.4 cm)							
Interior—Maximum amps	4.9/5.9	4.9/5.9	4.9/5.9	11.5	11.5	11.5	11.5	11.5
Exterior—Maximum amps	8.7/6.0	8.7/6.0	8.7/6.0	8.7/6.0	8.5/9.2	8.5/9.2	8.9/9.2	8.9/9.2
In-Line—Maximum amps	6.0/7.9	6.0/7.9	6.0/7.9	6.0/7.9	10.3	10.3	10.7	10.7

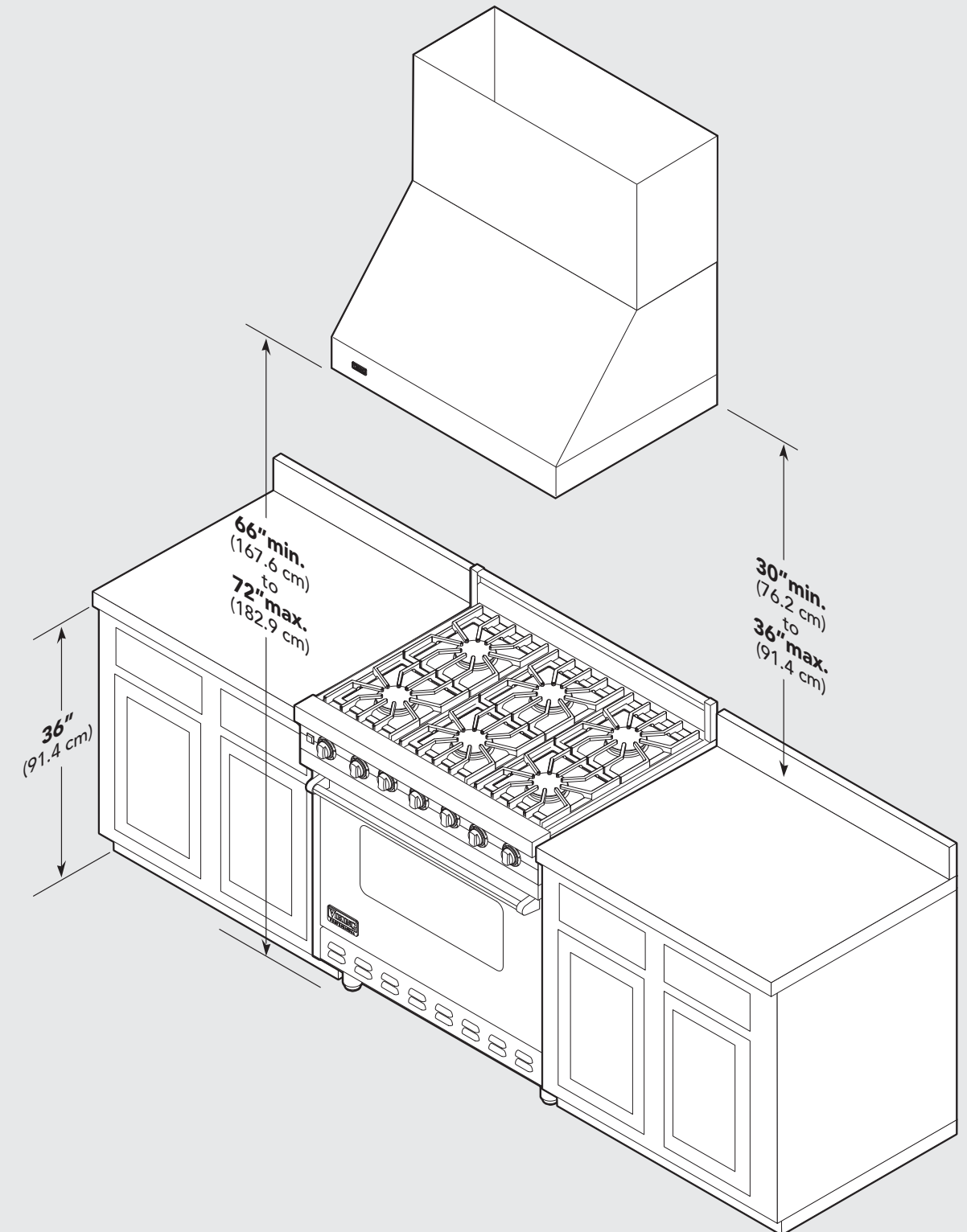
\* A 1,200 CFM interior- or exterior-power ventilator should be used when installed over range/rangetop with gas char-grill. Max duct run is 50 ft.

\*\* It is recommended that the 1,500 CFM ventilator be used with longer duct runs. Max duct run is 75 ft.

**NOTE:** Maximum amp rating for hoods includes recommended ventilator kit rating; All products must be hard wired with 2-wire with ground. An interior- or exterior-power ventilator kit must be purchased for installation with all 18"H. hoods.

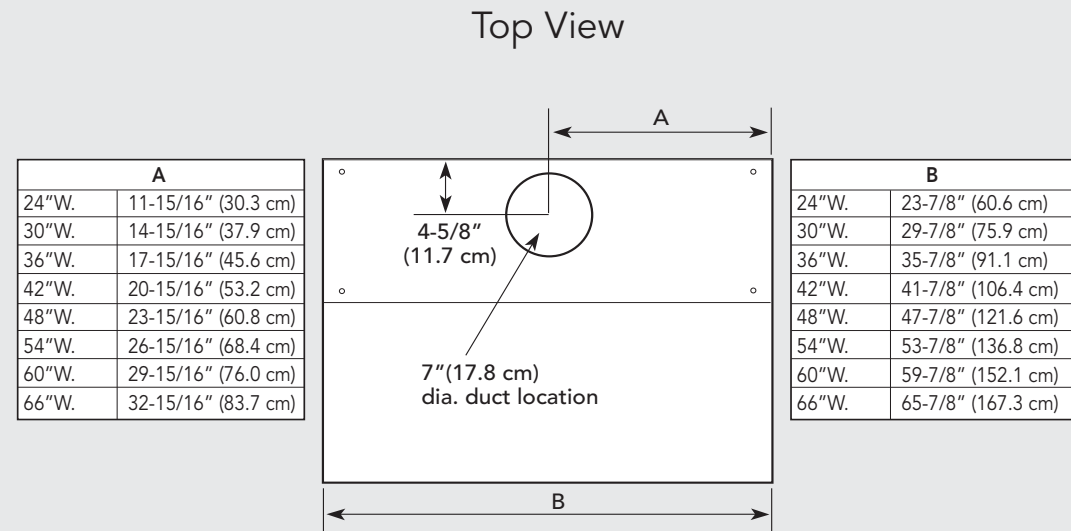
# Clearance Dimensions

(VWH 18"H. Wall Hoods)



# Interior Ventilator Dimensions

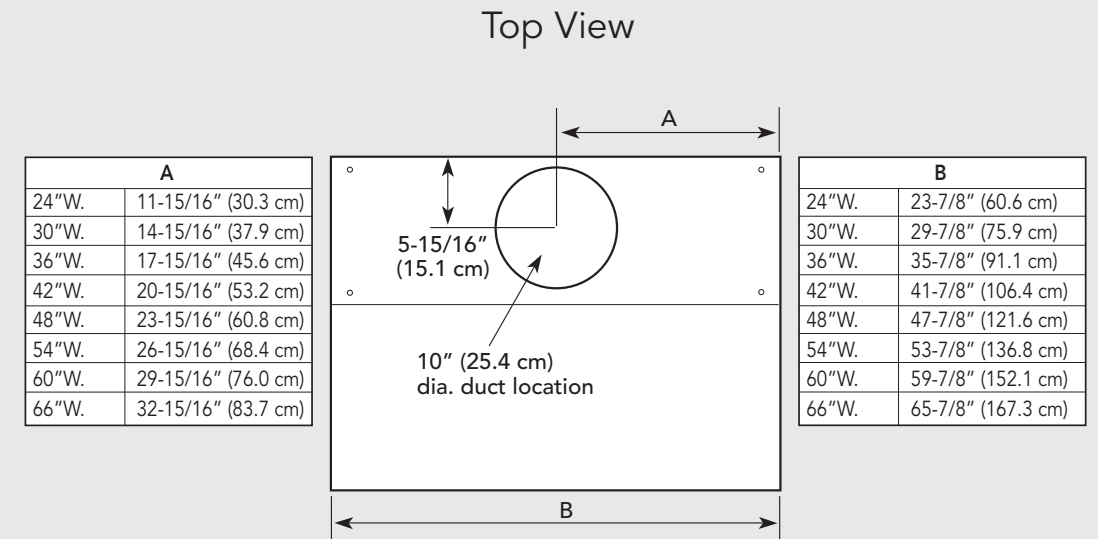
(VWH 18"H. Wall Hoods)



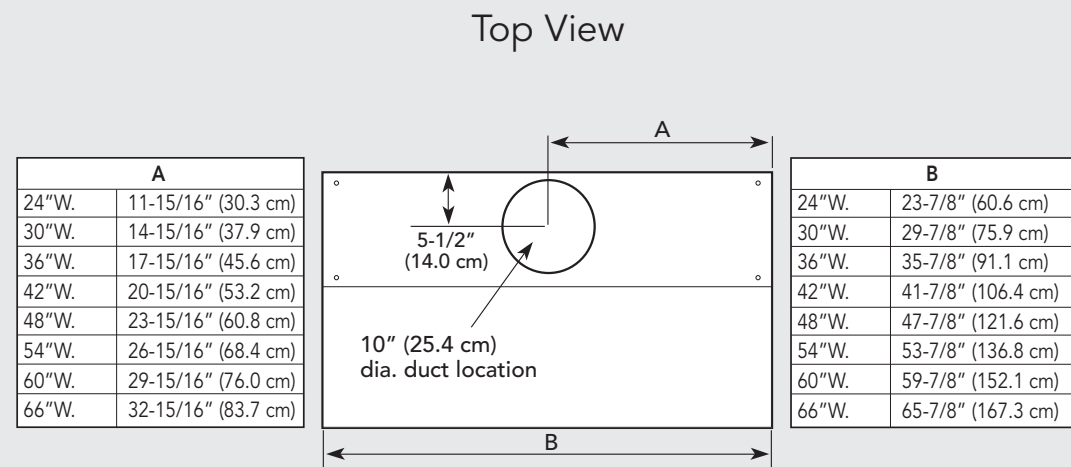
300 or 600 CFM Interior Ventilator Installation for all Wall Hoods

# Exterior Ventilator Dimensions

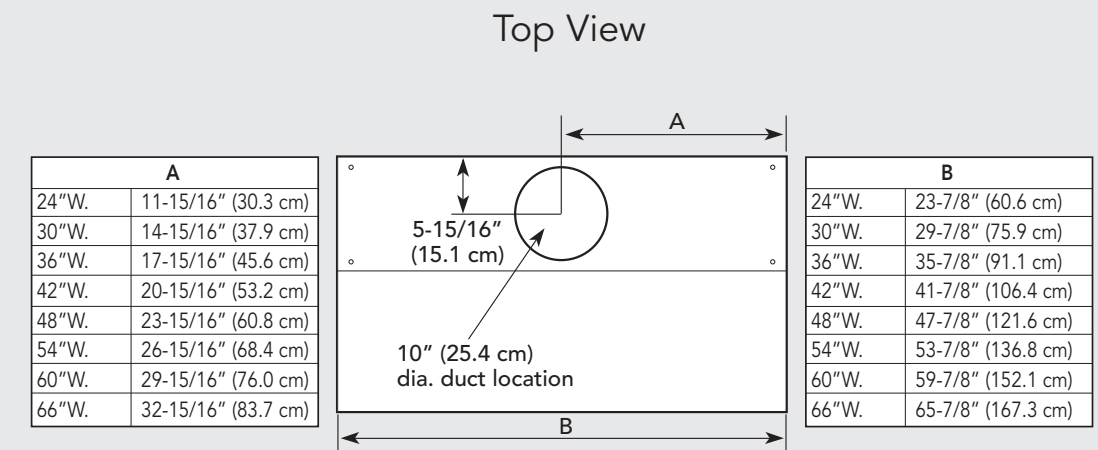
(VWH 18"H. Wall Hoods)



900 or 1200 CFM Exterior or In-Line Ventilator Installation for all Wall Hoods



1200 CFM Interior Ventilator Installation for all Wall Hoods

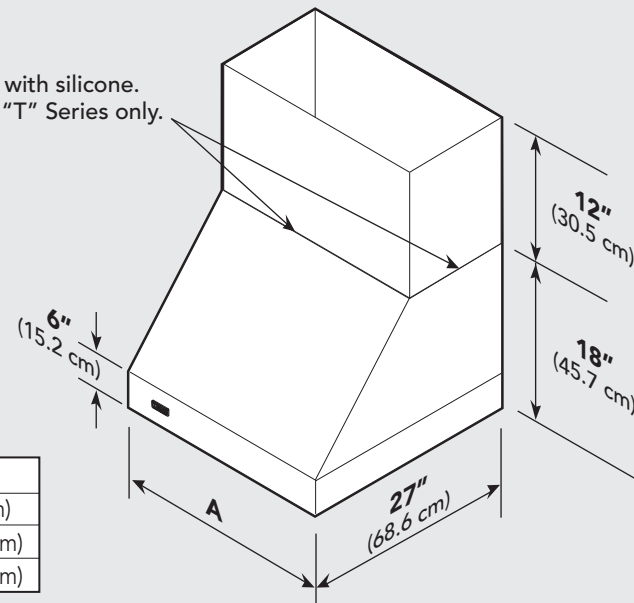


1200 or 1500 CFM Exterior or In-Line Ventilator Installation for all Wall Hoods

# Dimensions & Specifications

(VWH 18"H. T-Series Wall Hoods 36", 48", & 60")

Seal joints with silicone.  
Provided on "T" Series only.



A (Hood width)	
36"W.	35-7/8" (91.1 cm)
48"W.	47-7/8" (121.6 cm)
60"W.	59-7/8" (152.1 cm)

NOTE: Optional duct cover sold separately.

VWH 18"H. T-Series Wall Hoods			
Description	36"	48"	60"
Duct cover width	35-7/8" (91.1 cm)	47-7/8" (121.6 cm)	59-7/8" (152.1 cm)
Duct cover depth	12" (30.5 cm)		
Duct cover height	12" (30.5 cm)		
Number of lights	2	3	4
Number of filters	2	3	4
Interior ventilator kits	VINV1200*	VINV1200*	VINV1200*
Exterior ventilator kits	DEV1200*/1500**	DEV1200*/1500**	DEV1200*/1500**
In-line ventilator kits	DIL1200	DIL1200	DIL1200
Interior duct size	10" (25.4 cm)		
Exterior duct size	10" (25.4 cm)		
Interior—Maximum amps	9.0	11.4	11.8
Exterior—Maximum amps	6.1/6.8	8.4/9.1	8.8/9.5
In-Line—Maximum amps	7.9	10.2	10.6

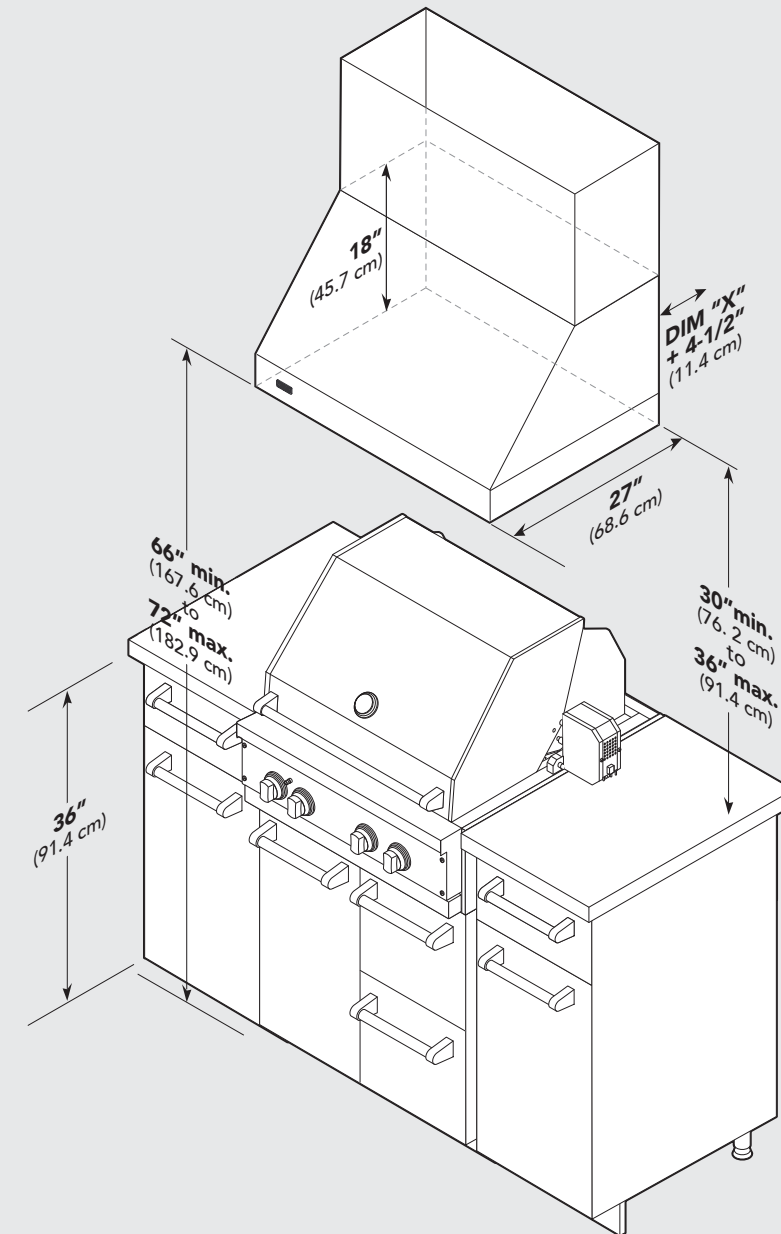
\* A 1,200 CFM interior- or exterior-power ventilator should be used with all T-Series models and when indoor models are installed over range/rangetop with gas char-grill. Max duct run is 50 ft.

\*\* It is recommended that the 1,500 CFM ventilator be used with longer duct runs. Max duct run is 75 ft.

NOTE: Maximum amp rating for hoods includes recommended ventilator kit rating; All products must be hard wired with 2-wire with ground. An interior- or exterior-power ventilator kit must be purchased for installation with all 18"H. hoods.

# Clearance Dimensions

(VWH 18"H. T-Series Wall Hoods)



Note: T-Series Models must be installed in a covered, **non-enclosed** area, and should be protected from the elements as much as possible.

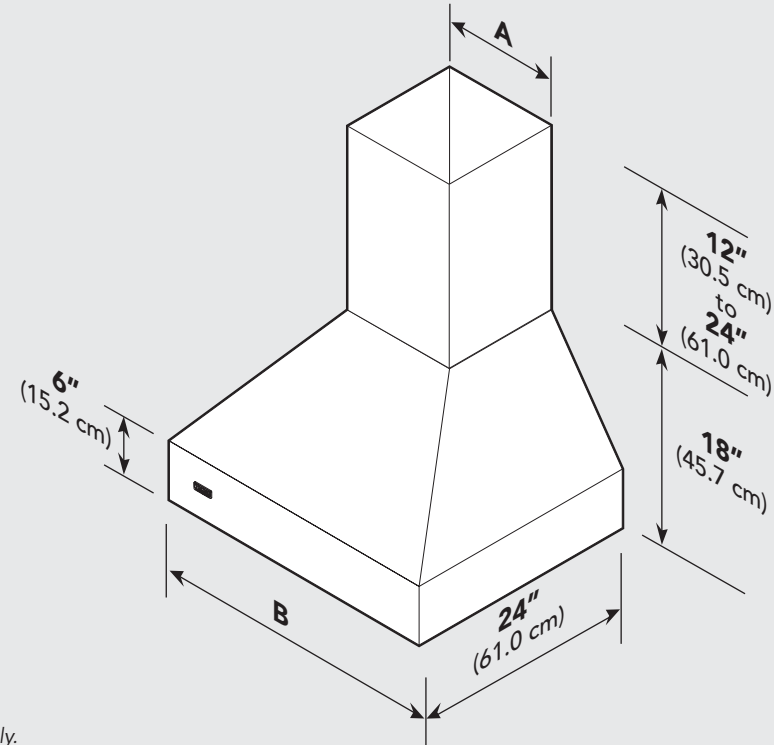
The bottom of the hood should be 30" (76.2 cm) to 36" (91.4 cm) above the grill surface. The hood should be installed 4-1/2" (11.4 cm) plus the distance between the back trim and surface from the back wall. (Note: There is a 3" minimum clearance from the back trim to non-combustible surfaces, and a 24" minimum to combustible surfaces.) This will require building the hood out from the wall. Any combustible material used for this purpose must be covered with locally-supplied stainless steel. Viking also recommends using a backsplash.

# Dimensions & Specifications

(VCWH Chimney Wall Hoods 30", 36", 42", 48", 54", 60", & 66")

A (Duct width)	
30"W.	12" (30.5 cm)
36"W.	12" (30.5 cm)
42"W.	12" (30.5 cm)
48"W.	18" (45.7 cm)
54"W.	18" (45.7 cm)
60"W.	24" (61.0 cm)
66"W.	24" (61.0 cm)

B (Hood width)	
30"W.	29-7/8" (76.2 cm)
36"W.	35-7/8" (91.1 cm)
42"W.	41-7/8" (106.4 cm)
48"W.	47-7/8" (121.6 cm)
54"W.	53-7/8" (136.8 cm)
60"W.	59-7/8" (152.1 cm)
66"W.	65-7/8" (167.3 cm)



NOTE: Optional duct cover sold separately.

VCWH Chimney Wall Hoods							
Description	30"	36"	42"	48"	54"	60"	66"
Duct cover width	12" (30.5 cm)	12" (30.5 cm)	12" (30.5 cm)	18" (45.7 cm)	18" (45.7 cm)	24" (61.0 cm)	24" (61.0 cm)
Duct cover depth	12" (30.5 cm)						
Duct cover height	12" (30.5 cm) to 24" (61.0 cm)						
Number of lights	2	2	2	3	3	4	4
Number of filters	2	2	2	2	3	3	3
Heat lamps	1	1	1	2	2	2	2
Interior ventilator kits	VINV300/600	VINV300/600	VINV600	VINV1200*	VINV1200*	VINV1200*	VINV1200*
Exterior ventilator kits	DEV900/1200*	DEV900/1200*	DEV900/1200*	DEV1200*/1500**	DEV1200*/1500**	DEV1200*/1500**	DEV1200*/1500**
In-line ventilator kits	DIL900/1200	DIL900/1200	DIL900/1200	DIL1200	DIL1200	DIL1200	DIL1200
Interior duct size	7" (17.8 cm)	7" (17.8 cm)	7" (17.8 cm)	10" (25.4 cm)	10" (25.4 cm)	10" (25.4 cm)	10" (25.4 cm)
Exterior duct size	10" (25.4 cm)						
Interior—Maximum amps	4.9/5.9	4.9/5.9	5.9	11.5	11.5	11.9	11.9
Exterior—Maximum amps	8.7/6.0	8.7/6.0	8.7/6.0	8.5/9.2	8.5/9.2	8.5/9.2	8.5/9.2
In-Line—Maximum amps	6.0/7.9	6.0/7.9	6.0/7.9	10.3	10.3	10.7	10.7

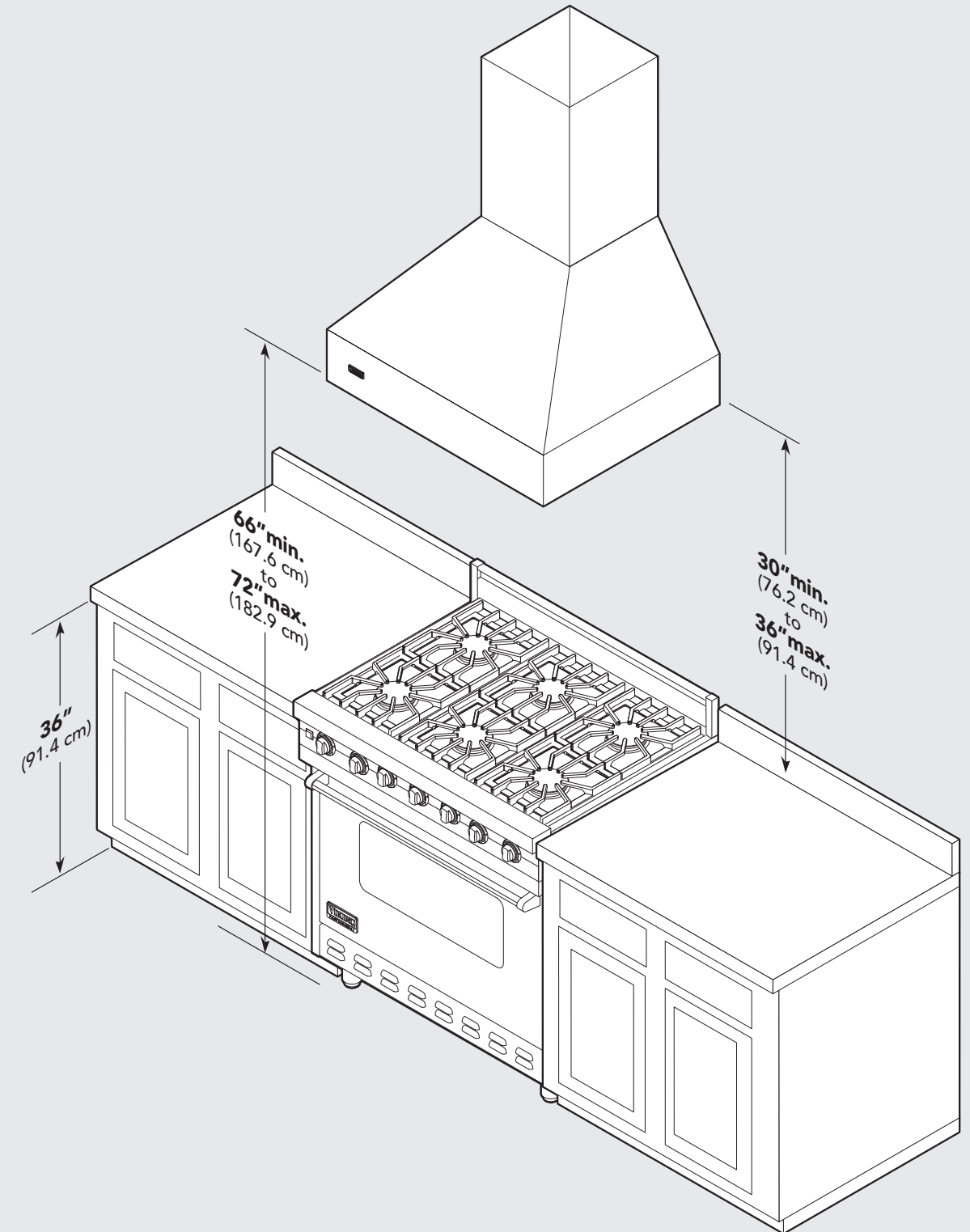
\* A 1,200 CFM interior- or exterior-power ventilator should be used when installed over range/range-top with gas char-grill. Max duct run is 50 ft.

\*\* It is recommended that the 1,500 CFM ventilator be used with longer duct runs. Max duct run is 75 ft.

NOTE: Maximum amp rating for hoods includes recommended ventilator kit rating; All products must be hard wired with 2-wire with ground. An interior- or exterior-power ventilator kit must be purchased for installation with all 18"H. hoods.

# Clearance Dimensions

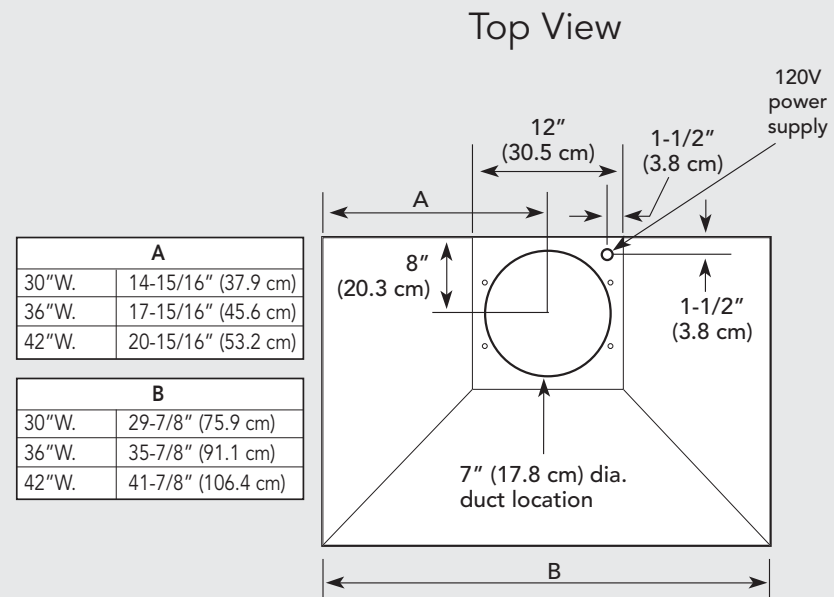
(VCWH Chimney Wall Hoods)





# Interior Ventilator Dimensions

(VCWH Chimney Wall Hoods)



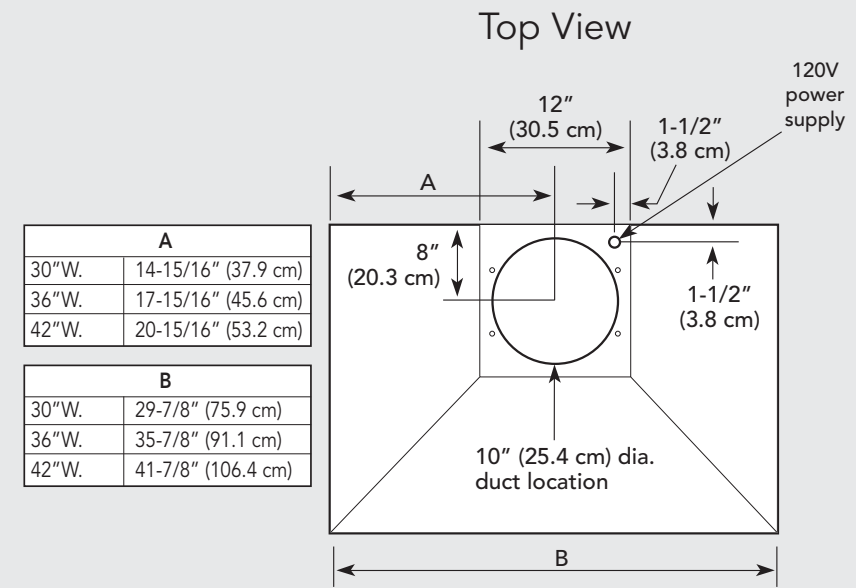
A	
30"W.	14-15/16" (37.9 cm)
36"W.	17-15/16" (45.6 cm)
42"W.	20-15/16" (53.2 cm)

B	
30"W.	29-7/8" (75.9 cm)
36"W.	35-7/8" (91.1 cm)
42"W.	41-7/8" (106.4 cm)

300 or 600 CFM Interior Ventilator Installation for 30", 36", & 42" models

# Exterior Ventilator Dimensions

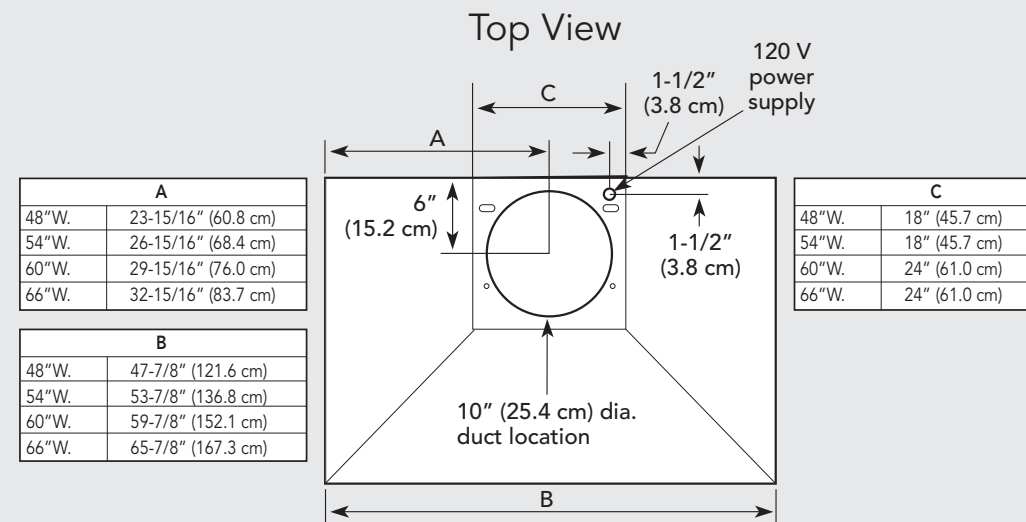
(VCWH Chimney Wall Hoods)



A	
30"W.	14-15/16" (37.9 cm)
36"W.	17-15/16" (45.6 cm)
42"W.	20-15/16" (53.2 cm)

B	
30"W.	29-7/8" (75.9 cm)
36"W.	35-7/8" (91.1 cm)
42"W.	41-7/8" (106.4 cm)

900 or 1200 CFM Exterior or In-Line Ventilator Installation for 30", 36", & 42" models

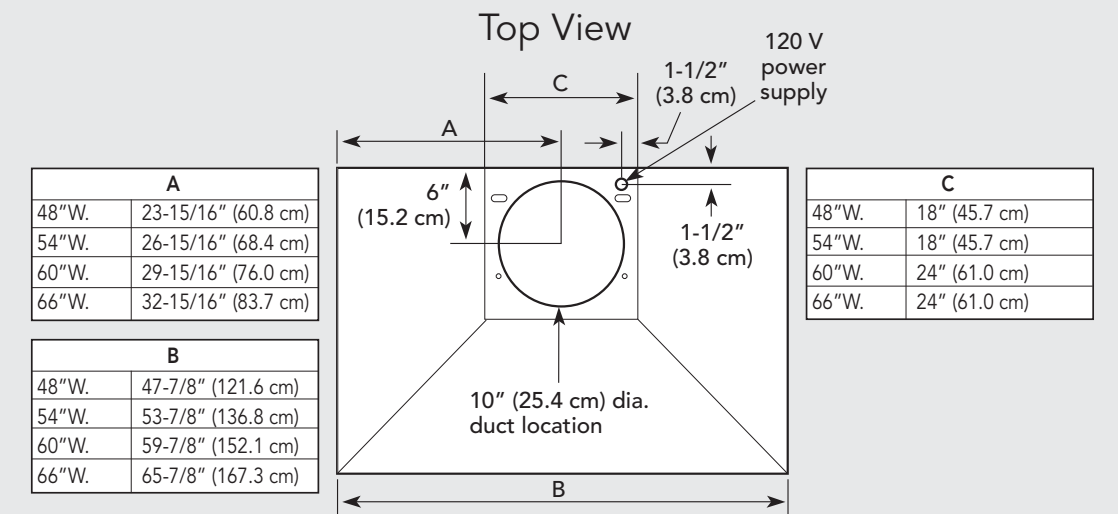


A	
48"W.	23-15/16" (60.8 cm)
54"W.	26-15/16" (68.4 cm)
60"W.	29-15/16" (76.0 cm)
66"W.	32-15/16" (83.7 cm)

B	
48"W.	47-7/8" (121.6 cm)
54"W.	53-7/8" (136.8 cm)
60"W.	59-7/8" (152.1 cm)
66"W.	65-7/8" (167.3 cm)

C	
48"W.	18" (45.7 cm)
54"W.	18" (45.7 cm)
60"W.	24" (61.0 cm)
66"W.	24" (61.0 cm)

1200 CFM Interior Ventilator Installation for 48", 54", 60", & 66" models



A	
48"W.	23-15/16" (60.8 cm)
54"W.	26-15/16" (68.4 cm)
60"W.	29-15/16" (76.0 cm)
66"W.	32-15/16" (83.7 cm)

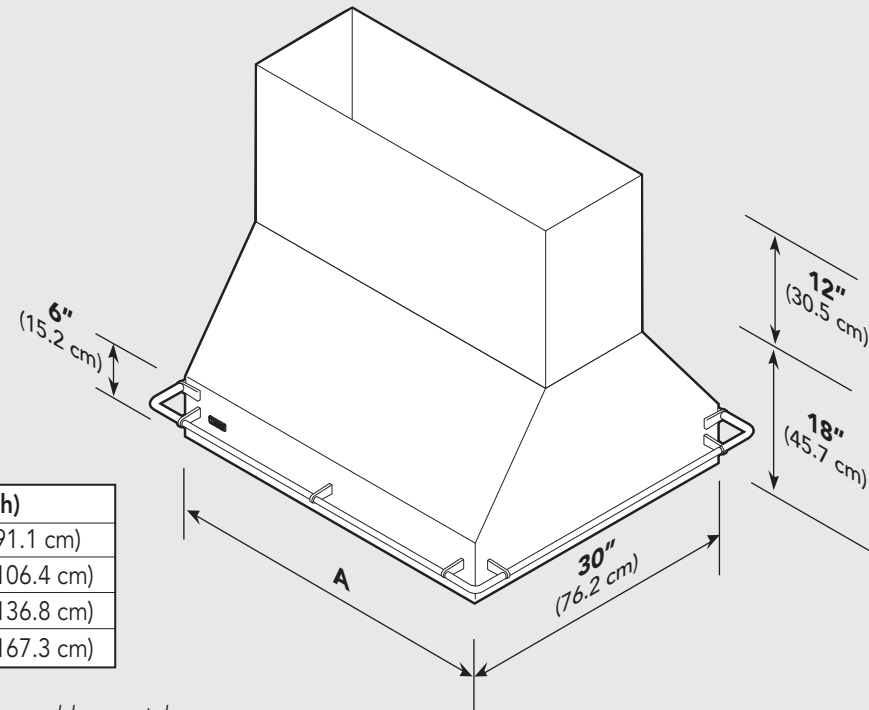
B	
48"W.	47-7/8" (121.6 cm)
54"W.	53-7/8" (136.8 cm)
60"W.	59-7/8" (152.1 cm)
66"W.	65-7/8" (167.3 cm)

C	
48"W.	18" (45.7 cm)
54"W.	18" (45.7 cm)
60"W.	24" (61.0 cm)
66"W.	24" (61.0 cm)

900, 1200 or 1500 CFM Exterior or In-Line Ventilator Installation for 48", 54", 60", & 66" models

# Dimensions & Specifications

(VIH Island Hoods 36", 42", 54", & 66")



A (Hood width)	
36"W.	35-7/8" (91.1 cm)
42"W.	41-7/8" (106.4 cm)
54"W.	53-7/8" (136.8 cm)
66"W.	65-7/8" (167.3 cm)

NOTE: Optional duct cover sold separately.

VIH Island Hoods				
Description	36"	42"	54"	66"
Duct cover width	35-7/8" (91.1 cm)	41-7/8" (106.4 cm)	53-7/8" (136.8 cm)	65-7/8" (167.3 cm)
Duct cover depth	12" (30.5 cm)			
Duct cover height	12" (30.5 cm)			
Number of lights	4	4	6	8
Number of filters	4	4	6	8
Heat lamps	N/A			
Interior ventilator kits	VINV600/1200*	VINV600/1200*	VINV1200*	VINV1200*
Exterior ventilator kits	DEV900/1200*	DEV900/1200*/1500**	DEV1200*/1500**	DEV1200*/1500**
In-line ventilator kits	DIL900/1200	DIL900/1200	DIL1200	DIL1200
Interior duct size	7" (17.8 cm)/ 10" (25.4 cm)	7" (17.8 cm)/ 10" (25.4 cm)	10" (25.4 cm)	10" (25.4 cm)
Exterior duct size	10" (25.4 cm)			
Interior—Maximum amps	4.6/7.7	4.6/7.7	8.5	9.3
Exterior—Maximum amps	7.4/4.7	7.4/4.7/5.5	5.5/6.2	6.3/7.1
In-Line—Maximum amps	4.7/6.5	4.7/6.5	7.3	8.1

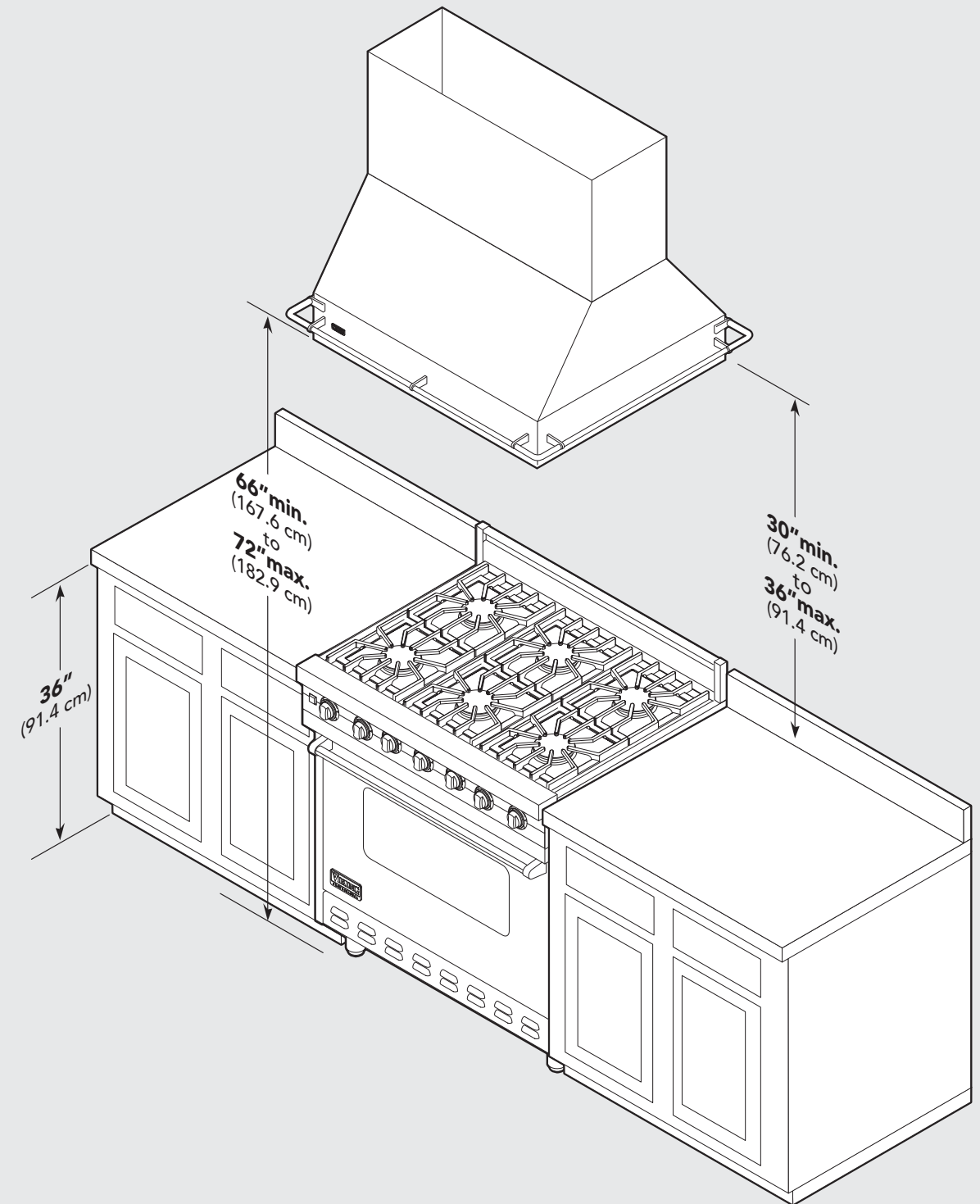
\* A 1,200 CFM interior- or exterior-power ventilator should be used when installed over range/rangetop with gas char-grill. Max duct run is 50 ft.

\*\* It is recommended that the 1,500 CFM ventilator be used with longer duct runs. Max duct run is 75 ft.

NOTE: Maximum amp rating for hoods includes recommended ventilator kit rating; All products must be hard wired with 2-wire with ground. An interior- or exterior-power ventilator kit must be purchased for installation with all 18"H. hoods.

# Clearance Dimensions

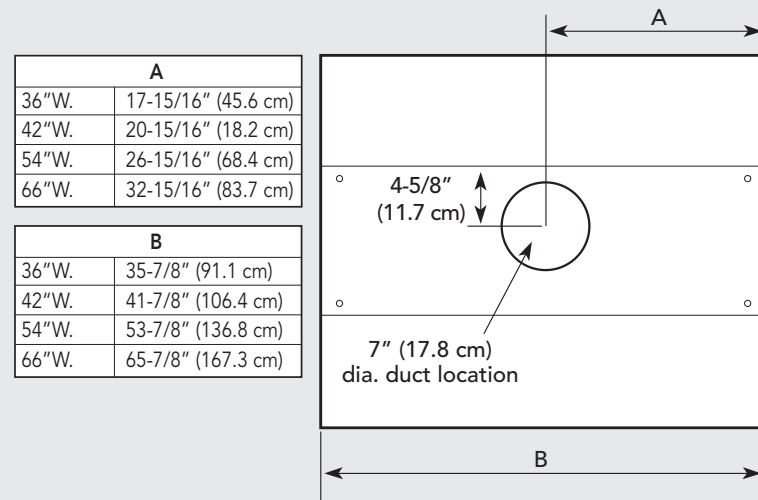
(VIH Island Hoods)



# Interior Ventilator Dimensions

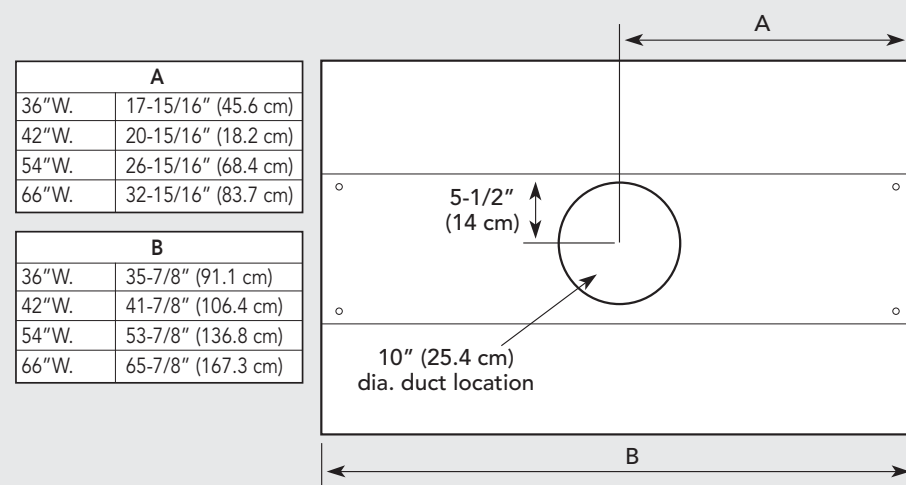
(VIH Island Hoods)

Top View



600 CFM Interior Ventilator Installation for all Island Hoods

Top View

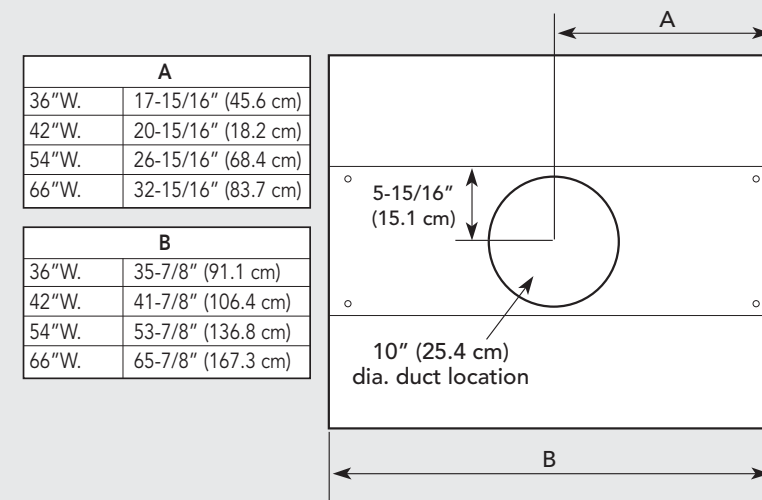


1200 CFM Interior Ventilator Installation for all Island Hoods

# Exterior Ventilator Dimensions

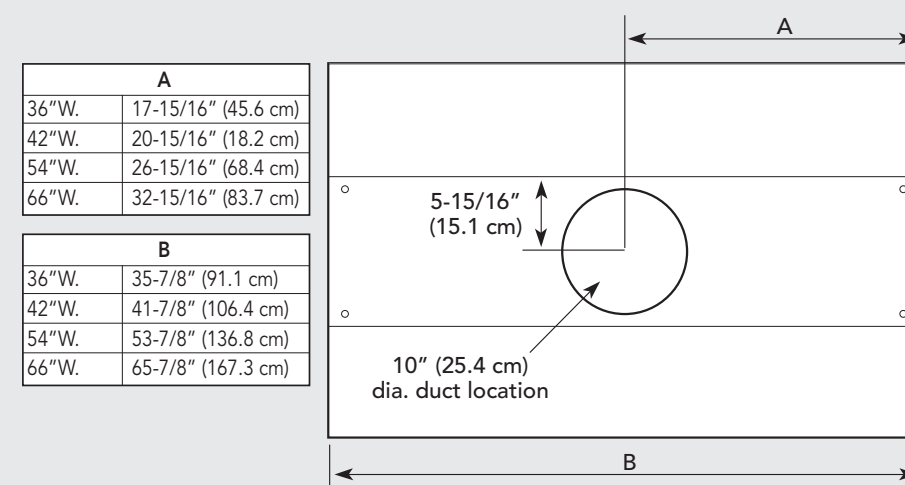
(VIH Island Hoods)

Top View



900 or 1200 CFM Exterior or In-Line Ventilator Installation for all Island Hoods

Top View



900, 1200 or 1500 CFM Exterior or In-Line Ventilator Installation for all Island Hoods

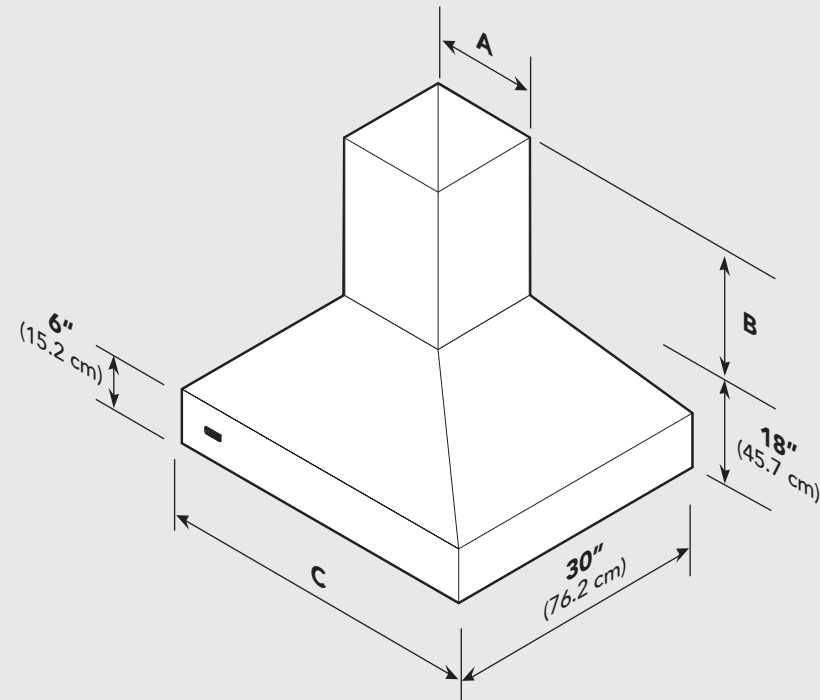
# Dimensions & Specifications

(VCIH Chimney Island Hoods 36", 42", 54", & 66")

A (Duct width)	
36"W.	12" (30.5 cm)
42"W.	12" (30.5 cm)
54"W.	18" (45.7 cm)
66"W.	24" (70.0 cm)

B (Duct height)	
36"W.	12" (30.5 cm)
42"W.	or 24" (61.0 cm)
54"W.	or 36" (91.4 cm)
66"W.	36" (91.4 cm)

C (Hood width)	
36"W.	35-7/8" (91.1 cm)
42"W.	41-7/8" (106.4 cm)
54"W.	53-7/8" (136.8 cm)
66"W.	65-7/8" (167.3 cm)



NOTE: Optional duct cover sold separately.

VCIH Chimney Island Hoods				
Description	36"	42"	54"	66"
Duct cover width	12" (30.5 cm)	12" (30.5 cm)	18" (45.7 cm)	24" (70.0 cm)
Duct cover depth	12" (30.5 cm)			
Duct cover height	12" (30.5 cm) or 24" (61.0 cm) or 36" (91.4 cm)			
Number of lights	4	4	6	8
Number of filters	4	4	6	8
Heat lamps	N/A			
Interior ventilator kits	VINV600	VINV600	VINV1200*	VINV1200*
Exterior ventilator kits	DEV900/1200*	DEV900/1200*/1500**	DEV1200*/1500**	DEV1200*/1500**
In-line ventilator kits	DIL900/1200	DIL900/1200	DIL1200	DIL1200
Interior duct size	7" (17.8 cm)	7" (17.8 cm)	10" (25.4 cm)	10" (25.4 cm)
Exterior duct size	10" (25.4 cm)			
Interior—Maximum amps	4.6	4.6	8.9	9.3
Exterior—Maximum amps	7.4/4.7	7.4/4.7/5.5	5.6/6.4	6.4/7.4
In-Line—Maximum amps	4.7/6.5	3.9/5.7	7.4	7.4

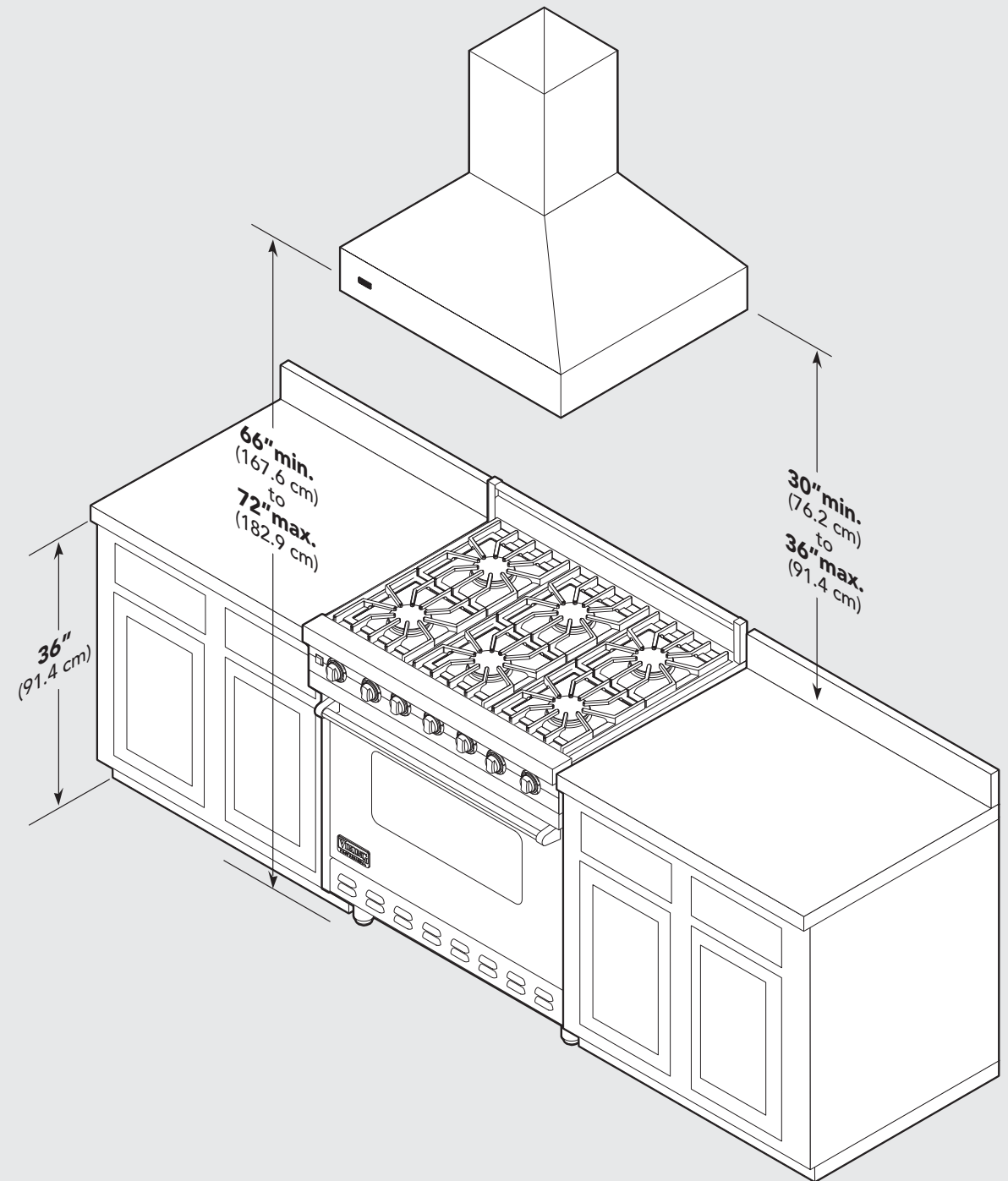
\* A 1,200 CFM interior- or exterior-power ventilator should be used when installed over range/rangetop with gas char-grill. Max duct run is 50 ft.

\*\* It is recommended that the 1,500 CFM ventilator be used with longer duct runs. Max duct run is 75 ft.

NOTE: Maximum amp rating for hoods includes recommended ventilator kit rating; All products must be hard wired with 2-wire with ground. An interior or exterior-power ventilator kit must be purchased for installation with all 18"H. hoods.

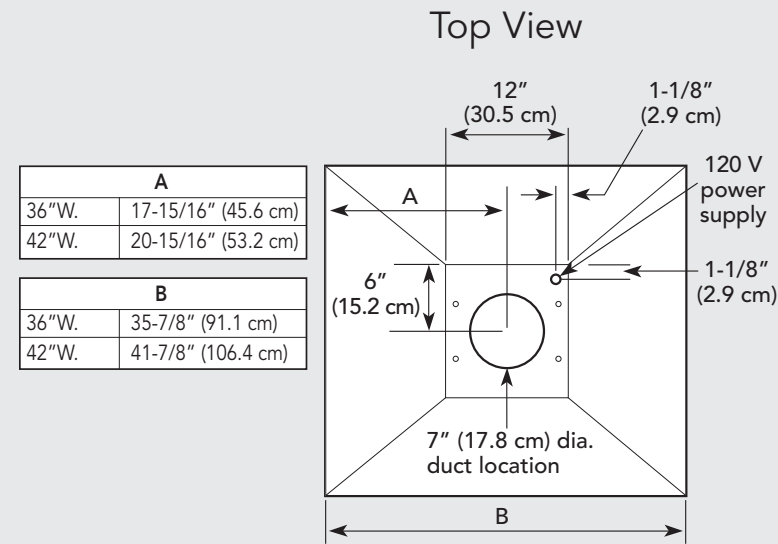
# Clearance Dimensions

(VCIH Chimney Island Hoods)



# Interior Ventilator Dimensions

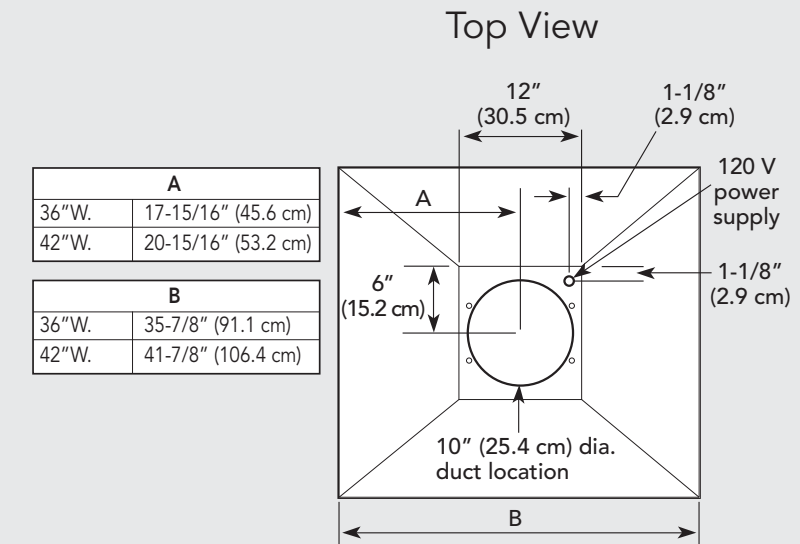
(VCIH Chimney Island Hoods)



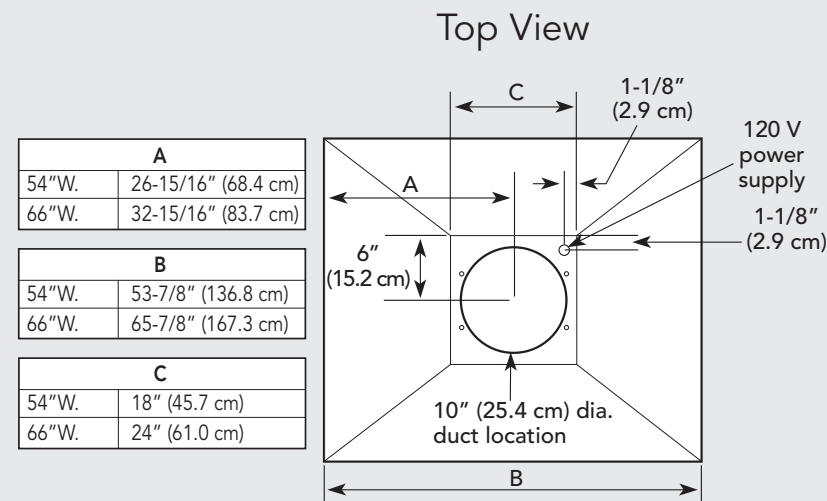
600 CFM Interior Ventilator Installation  
for all Chimney Island Hoods

# Exterior Ventilator Dimensions

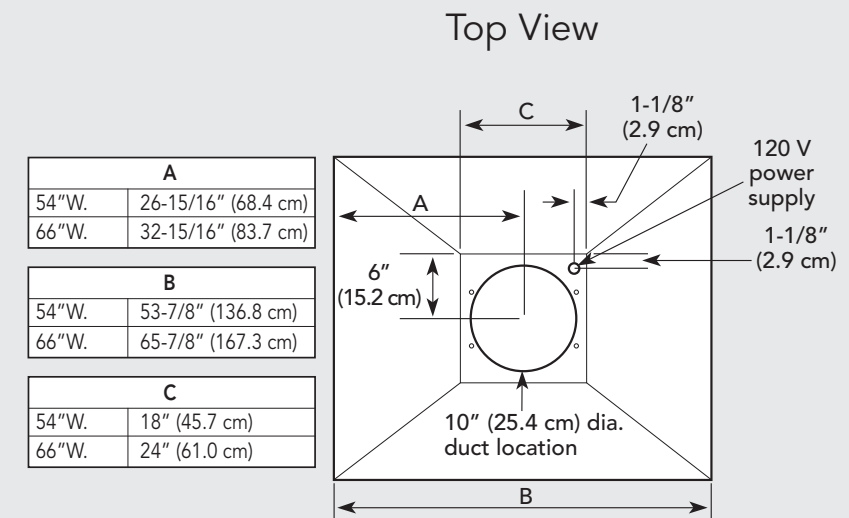
(VCIH Chimney Island Hoods)



900 or 1200 CFM Exterior or In-Line Ventilator Installation  
for all Chimney Island Hoods



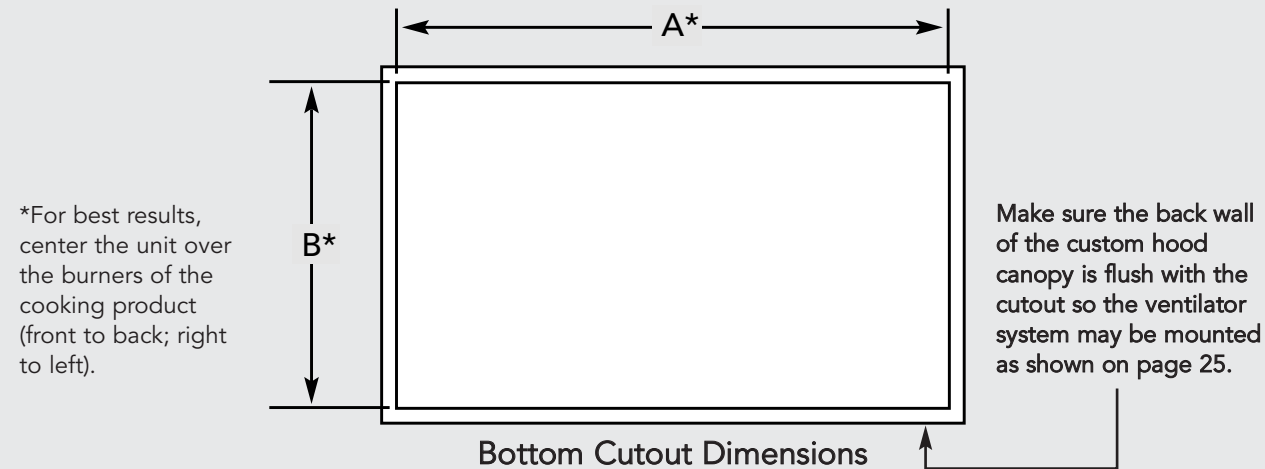
1200 CFM Interior Ventilator Installation  
for all Chimney Island Hoods



900, 1200 or 1500 CFM Exterior or In-Line Ventilator Installation  
for all Chimney Island Hoods

# Dimensions & Specifications

(VBCV Wall Custom Ventilator System 30", 36", 42", 48", 54", 60" & 66")



Wall Hoods		
Description	A (Hood Width)	B (Hood Depth)
30" W.	27-7/16" (69.7 cm)	21-7/16" (54.5 cm)
36" W.	33-7/16" (84.9 cm)	21-7/16" (54.5 cm)
42" W.	39-7/16" (100.2 cm)	21-7/16" (54.5 cm)
48" W.	45-7/16" (115.4 cm)	21-7/16" (54.5 cm)
54" W.	51-7/16" (130.7 cm)	21-7/16" (54.5 cm)
60" W.	57-7/16" (145.9 cm)	21-7/16" (54.5 cm)
66" W.	63-7/16" (161.1 cm)	21-7/16" (54.5 cm)

VBCV Wall Custom Ventilator System							
Description	30"	36"	42"	48"	54"	60"	66"
Number of lights	2	2	2	3	3	4	4
Number of filters	2	2	2	3	3	4	4
Heat lamps	1	1	1	2	2	2	2
Interior ventilator kits	VINV300/ 600/1200*	VINV300/ 600/1200*	VINV600/ 1200*	VINV1200*	VINV1200*	VINV1200*	VINV1200*
Exterior ventilator kits	DEV900/ 1200*	DEV900/ 1200*	DEV900/ 1200*	DEV1200*/ 1500**	DEV1200*/ 1500**	DEV1200*/ 1500**	DEV1200*/ 1500**
In-line ventilator kits	DIL900/1200	DIL900/1200	DIL900/1200	DIL1200	DIL1200	DIL1200	DIL1200
Interior duct size	7"/10" (17.8/25.4 cm)	7"/10" (17.8/25.4 cm)	7"/10" (17.8/25.4 cm)	10" (25.4 cm)	10" (25.4 cm)	10" (25.4 cm)	10" (25.4 cm)
Exterior duct size	10" (25.4 cm)						
Interior—Maximum amps	5.9/9.0	5.9/9.0	5.9/9.0	11.5	11.5	11.9	11.9
Exterior—Maximum amps	8.7/6.0	8.7/6.0	8.7/6.0	8.5/9.2	8.5/9.2	8.9/9.2	8.9/9.2
In-Line—Maximum amps	6.0/7.9	6.0/7.9	6.0/7.9	10.3	10.3	10.7	10.7

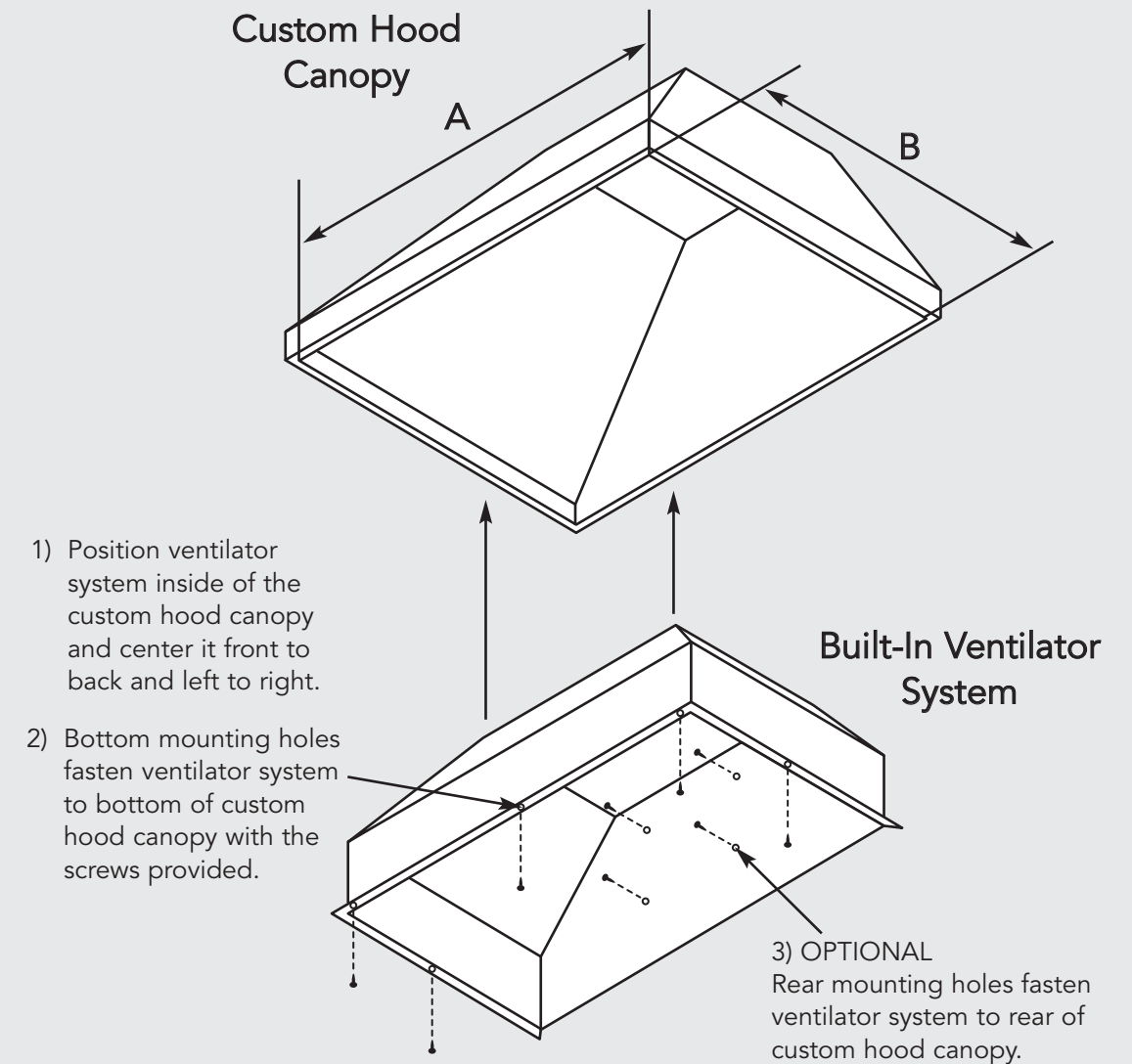
\* A 1,200 CFM interior- or exterior-power ventilator should be used when installed over range/range-top with gas char-grill. Max duct run is 50 ft.

\*\* It is recommended that the 1,500 CFM ventilator be used with longer duct runs. Max duct run is 75 ft.

**NOTE:** Maximum amp rating for hoods includes recommended ventilator kit rating; All products must be hard wired with 2-wire with ground. An interior- or exterior-power ventilator kit must be purchased for installation with all 18"H. hoods.

# Installing Hood Canopy

(Custom Hood Canopy Cutouts)



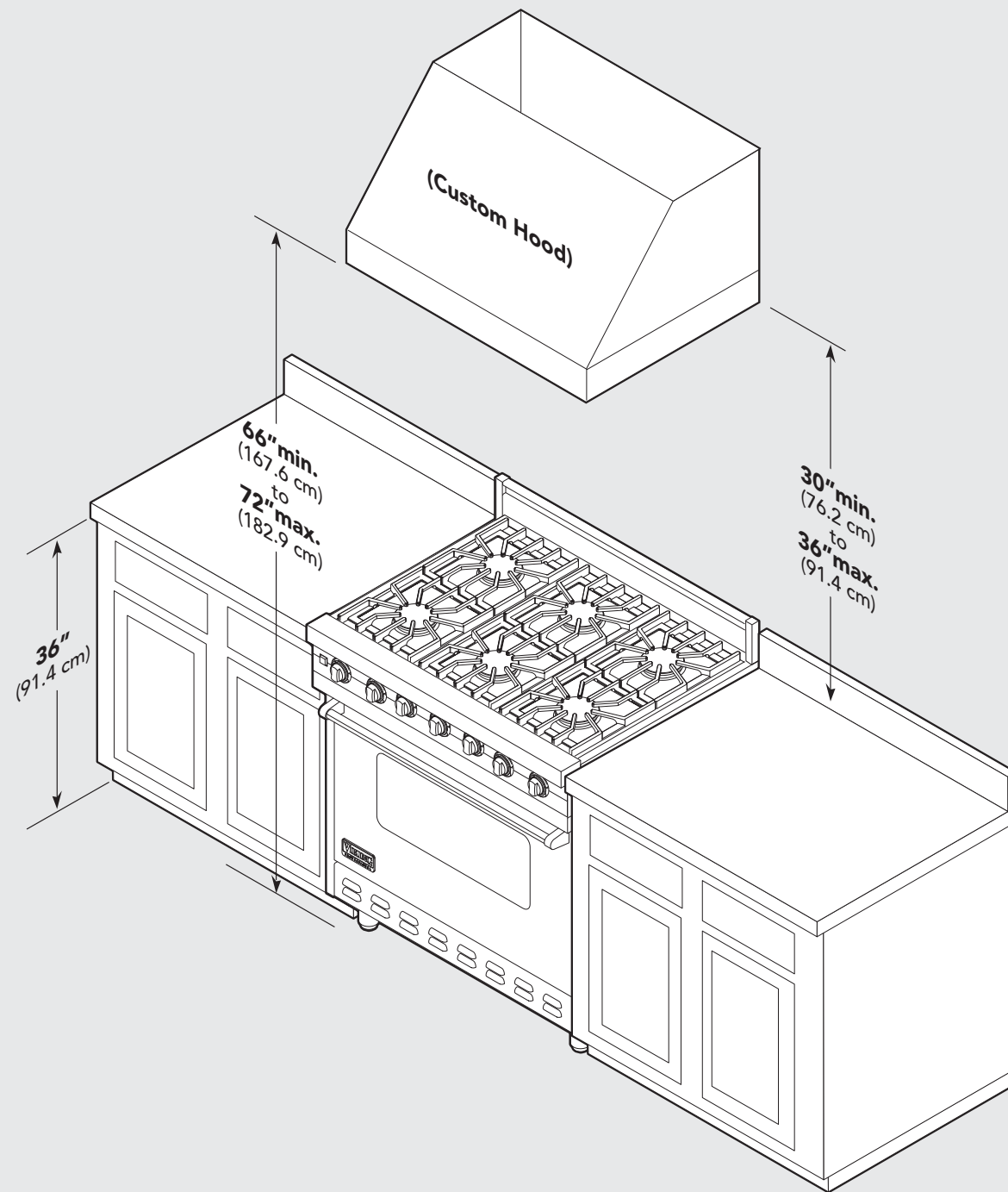
1) Position ventilator system inside of the custom hood canopy and center it front to back and left to right.

2) Bottom mounting holes fasten ventilator system to bottom of custom hood canopy with the screws provided.

3) OPTIONAL Rear mounting holes fasten ventilator system to rear of custom hood canopy.

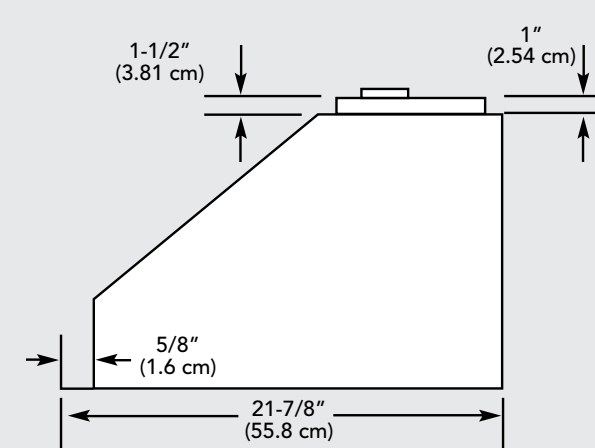
# Clearance Dimensions

(VBCV Wall Custom Ventilator System)

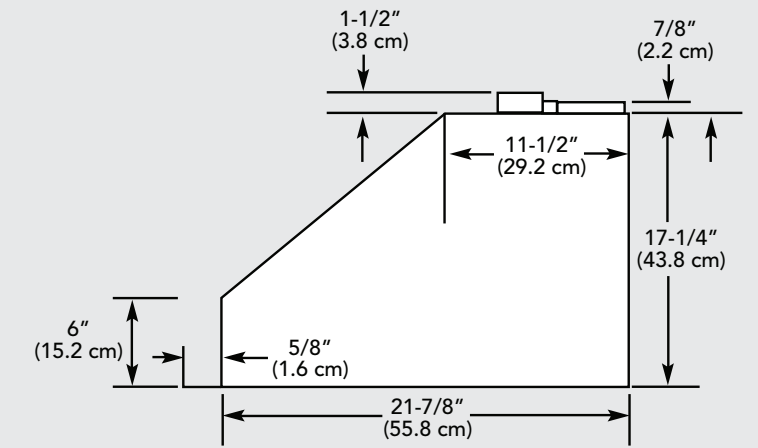


# Built-In Wall Custom Ventilator

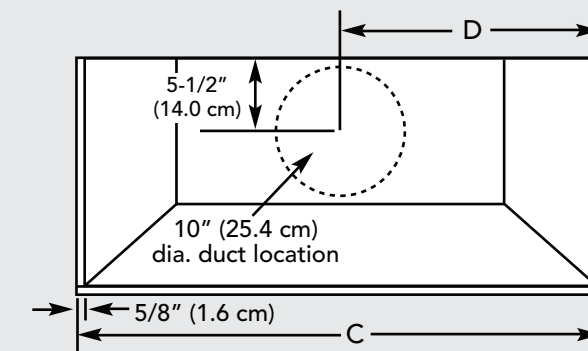
System Dimensions (VBCV Models)



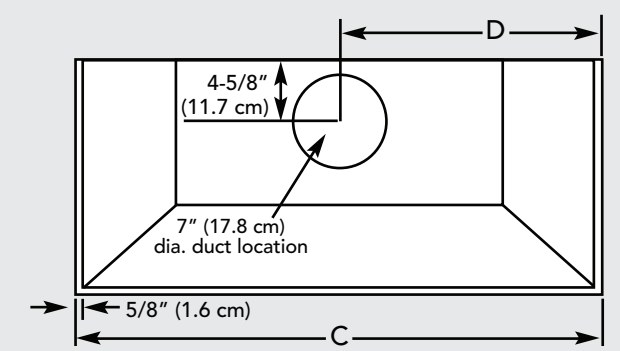
For 900, 1200 or 1500 CFM Exterior or In-Line Ventilator Installation



For 300, 600 or 1200 CFM Interior Ventilator Installation



900 or 1200 CFM Exterior or In-Line Ventilator Installation  
30", 36", 42" W. Models

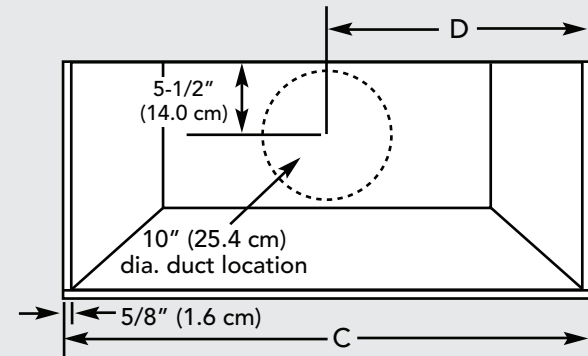


300 or 600 CFM Interior Ventilator Installation  
30", 36", 42" W. Models

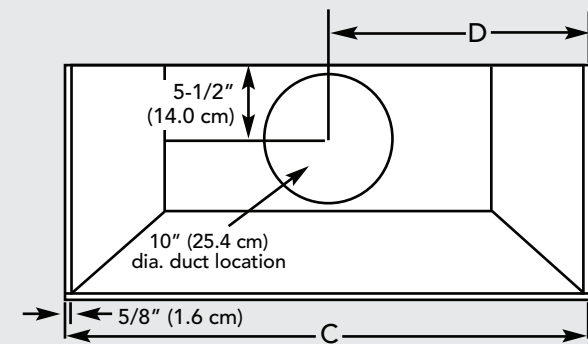
C	
30" W.	28-1/4" (71.8 cm)
36" W.	34-1/4" (87.0 cm)
42" W.	40-1/4" (102.2 cm)

D	
30" W.	14-1/8" (35.9 cm)
36" W.	17-1/8" (43.5 cm)
42" W.	20-1/8" (51.1 cm)

# Built-In Wall Custom Ventilator System Dimensions (VBCV Models)



1200 or 1500 CFM Exterior or In-Line Ventilator Installation  
48", 54", 60", 66" W. Models



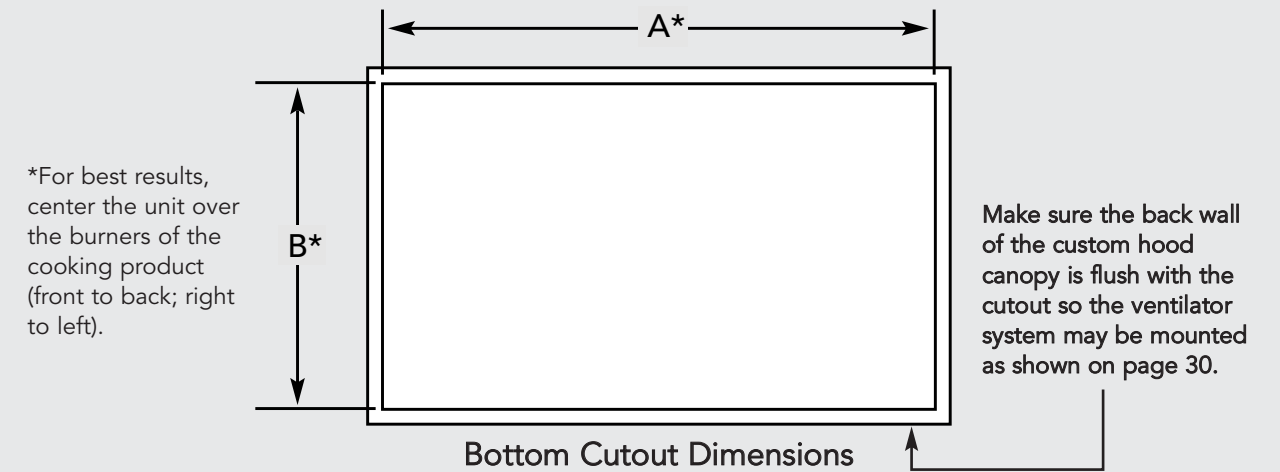
1200 CFM Interior Ventilator Installation  
30", 36", 42", 48", 54", 60", 66" W. Models

C	
30" W.	28-1/4" (71.8 cm)
36" W.	34-1/4" (87.0 cm)
42" W.	40-1/4" (102.2 cm)
48" W.	46-1/4" (117.5 cm)
54" W.	52-1/4" (132.7 cm)
60" W.	58-1/4" (148.0 cm)
66" W.	64-1/4" (163.2 cm)

D	
30" W.	14-1/8" (35.9 cm)
36" W.	17-1/8" (43.5 cm)
42" W.	20-1/8" (51.1 cm)
48" W.	23-1/8" (58.7 cm)
54" W.	26-1/8" (66.4 cm)
60" W.	29-1/8" (74.0 cm)
66" W.	32-1/8" (81.6 cm)

# Dimensions & Specifications

(VICV Island Custom Ventilator System 36", 42", 54" & 66")



Island Hoods		
Description	A (Hood Width)	B (Hood Depth)
36" W.	33-7/16" (84.9 cm)	27-9/16" (70.0 cm)
42" W.	39-7/16" (100.2 cm)	27-9/16" (70.0 cm)
54" W.	51-7/16" (130.7 cm)	27-9/16" (70.0 cm)
66" W.	63-7/16" (161.1 cm)	27-9/16" (70.0 cm)

VICV Island Custom Ventilator System				
Description	36"	42"	54"	66"
Number of lights	4	4	6	8
Number of filters	4	4	6	8
Heat lamps	N/A			
Interior ventilator kits	VINV600/1200*	VINV600/1200*	VINV1200*	VINV1200*
Exterior ventilator kits	DEV900/1200*	DEV900/1200*/1500**	DEV1200*/1500**	DEV1200*/1500**
In-line ventilator kits	DIL900/1200	DIL900/1200	DIL1200	DIL1200
Interior duct size	7" (17.8 cm)/ 10" (25.4 cm)	7" (17.8 cm)/ 10" (25.4 cm)	10" (25.4 cm)	10" (25.4 cm)
Exterior duct size	10" (25.4 cm)			
Interior—Maximum amps	4.6/7.7	4.6/7.7	8.5	9.3
Exterior—Maximum amps	7.4/4.8	7.4/4.8/5.5	5.6/6.2	5.6/6.2
In-Line—Maximum amps	4.7/6.5	4.7/6.5	7.3	8.1

\* A 1,200 CFM interior- or exterior-power ventilator should be used when installed over range/rangetop with gas char-grill. Max duct run is 50 ft.

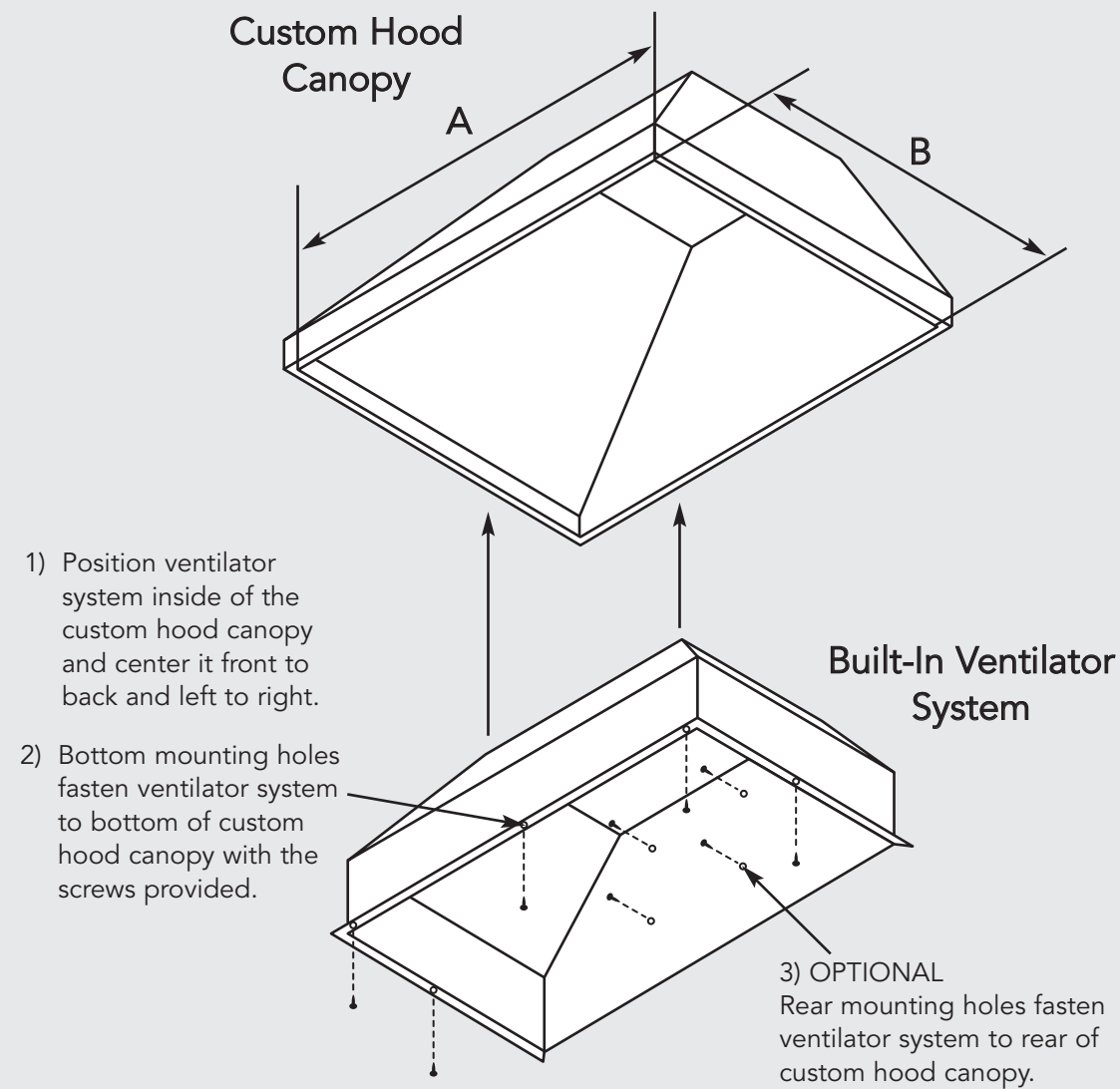
\*\* It is recommended that the 1,500 CFM ventilator be used with longer duct runs. Max duct run is 75 ft.

**NOTE:** Maximum amp rating for hoods includes recommended ventilator kit rating; All products must be hard wired with 2-wire with ground. An interior- or exterior-power ventilator kit must be purchased for installation with all 18"H. hoods.



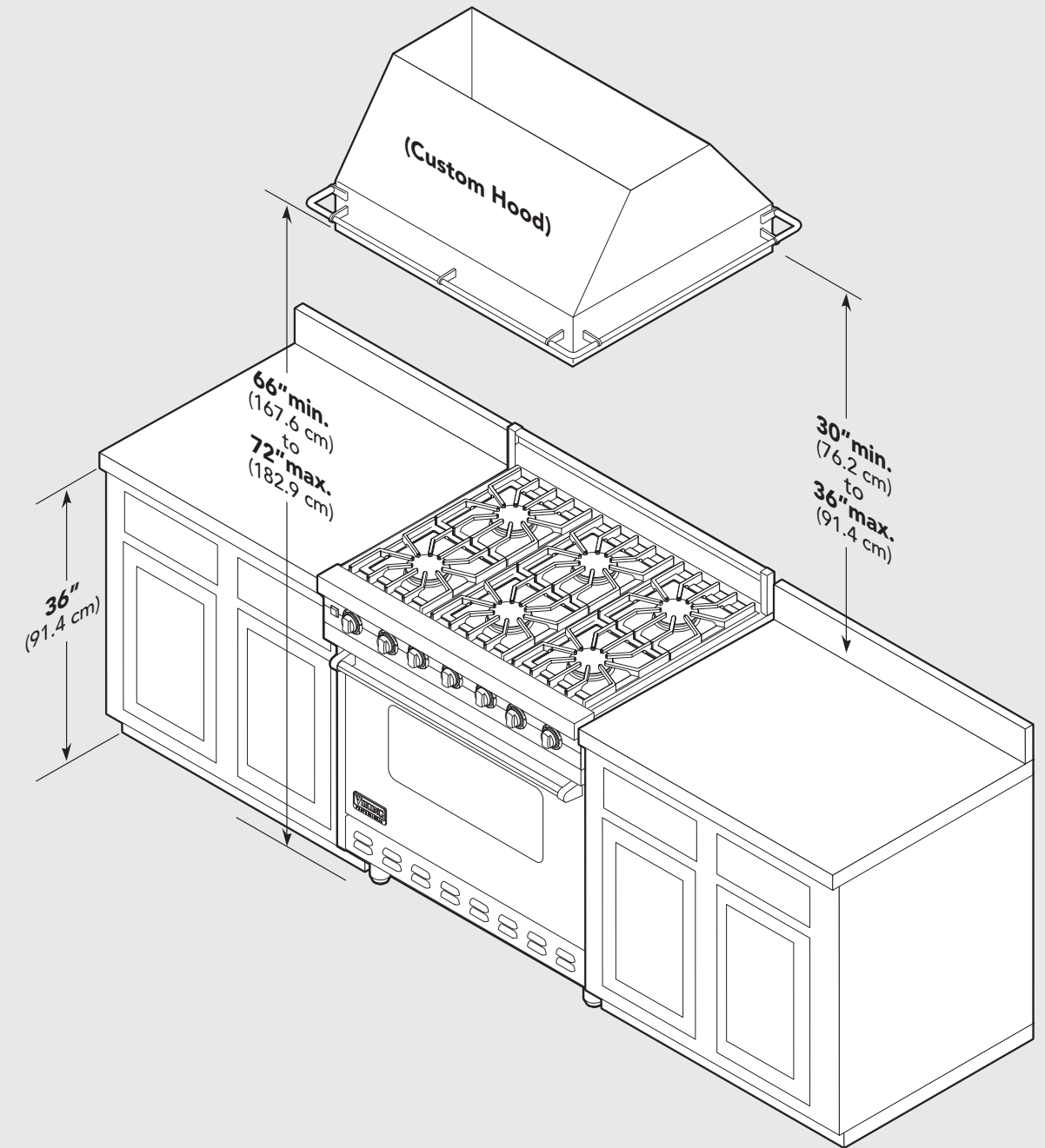
# Installing Hood Canopy

(Custom Hood Canopy Cutouts)

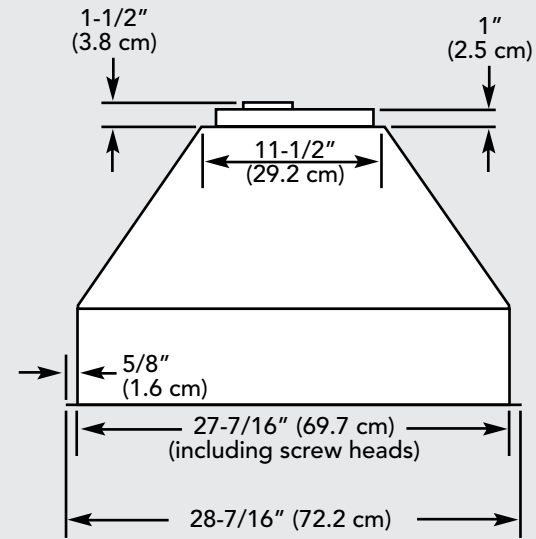


# Clearance Dimensions

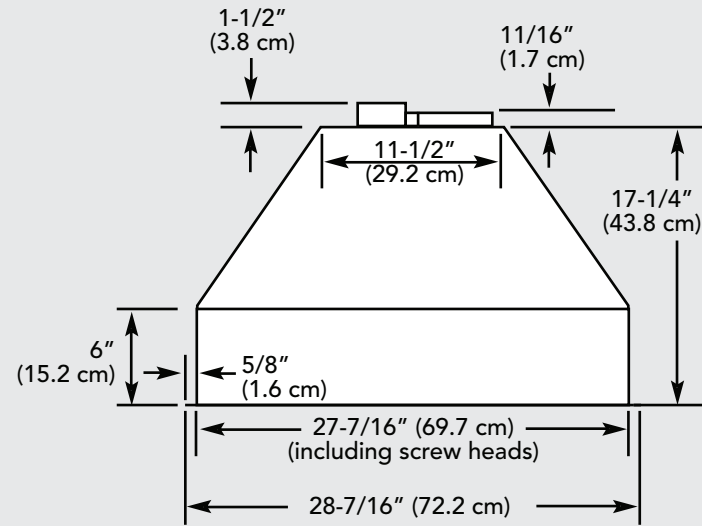
(MICV Island Custom Ventilator System)



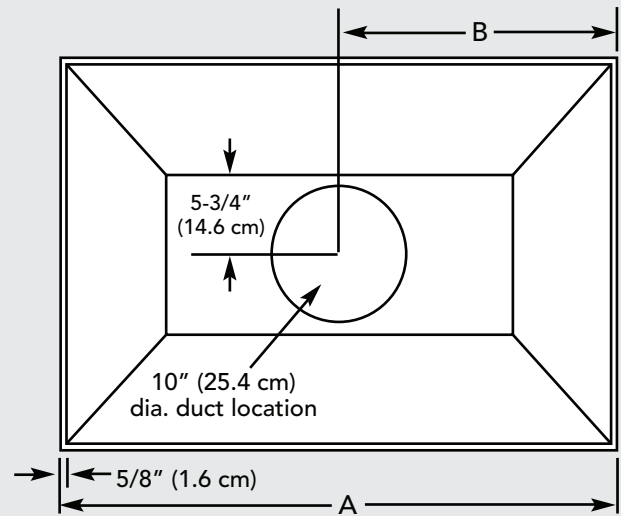
# Built-In Island Custom Ventilator System Dimensions (VICV Models)



External Power

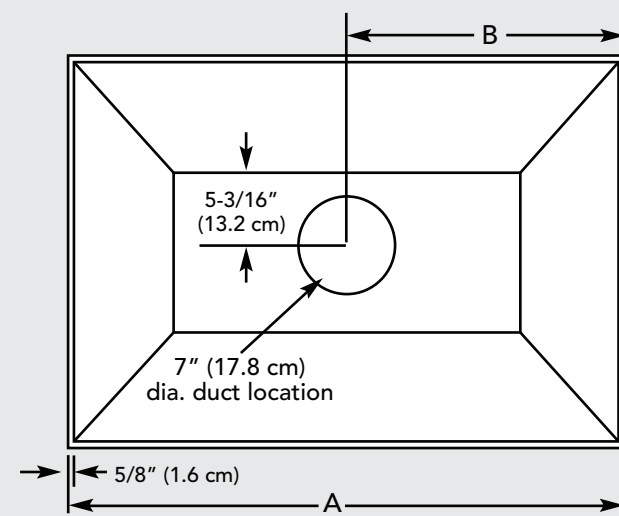


Internal Power



900 or 1200 CFM External or In-Line Power  
36", 42" W. Models

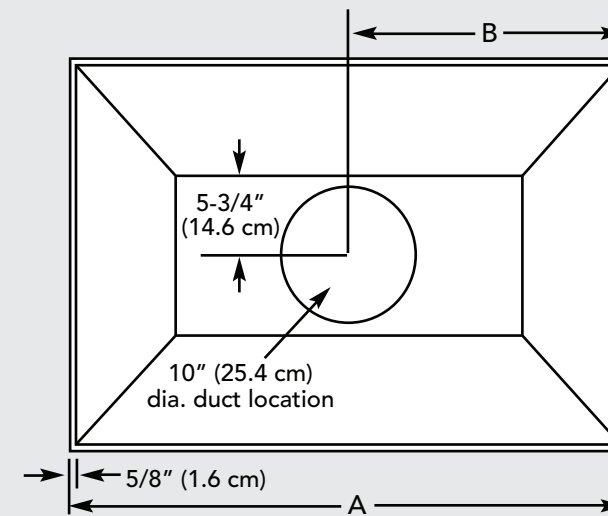
A	
36" W.	34-1/4" (87.0 cm)
42" W.	40-1/4" (102.2 cm)



600 CFM Internal Power  
36", 42" W. Models

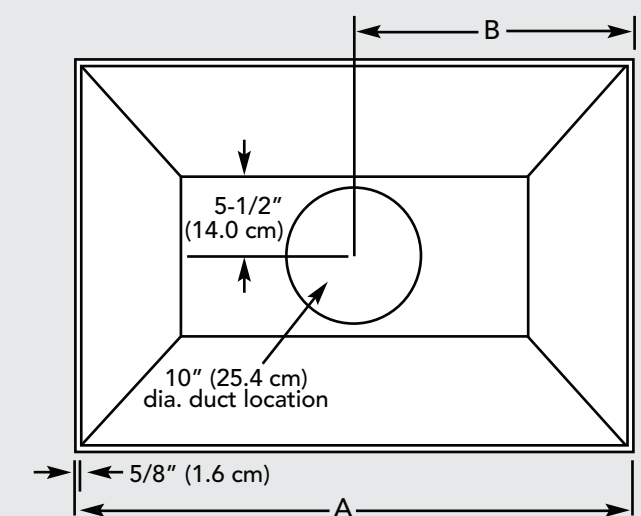
B	
36" W.	17-1/8" (43.5 cm)
42" W.	20-1/8" (51.1 cm)

# Built-In Island Custom Ventilator System Dimensions (VICV Models)



900, 1200 or 1500 External or In-Line Power  
42", 54", 66" W. Models

A	
54" W.	52-1/4" (132.7 cm)
66" W.	64-1/4" (163.2 cm)



1200 CFM Internal Power  
42", 54", 66" W. Models

B	
54" W.	26-1/8" (66.4 cm)
66" W.	32-1/8" (81.6 cm)

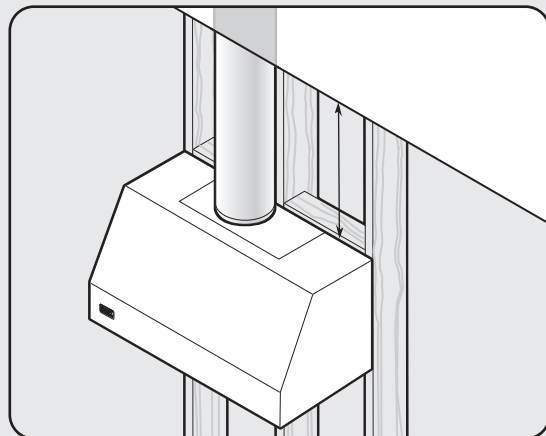
# Planning Information

Proper installation of ducting is extremely important to ensure maximum performance from any ventilation product.

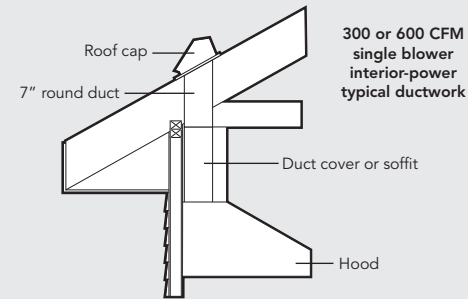
- All CFMs are based on tests at 0.1 static pressure: without applying static pressure, CFM would be greatly overstated.
- Straight runs and gradual turns are best; for example, each 90° elbow is equivalent to 5-10 feet (1.52-3.05 cm) of straight run.
- Never use flexible duct; it creates back pressure/air turbulence and greatly reduces performance.
- Proper performance is dependent on proper ducting; make sure that a qualified and trained installer is used.
- Check with a qualified and trained installer or local codes for makeup air requirement, if any.
- Max. amp rating for hoods includes recommended ventilator kit rating; all products must be hard wired direct with 2-wire with ground.

Plan where the duct work will be located. Install proper-sized duct work, and roof or wall cap for the type of blower you are using. Recommended hood locations for the most common installations are shown. Adjust your measurements for various heights of ceilings, soffits, cabinets, or ranges/rangehoods.

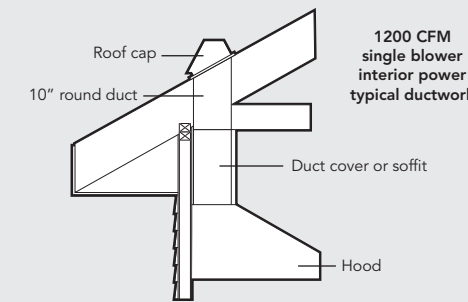
## Check Framing



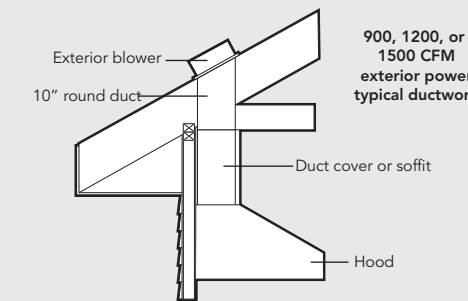
**NOTE:** Because of the weight of the hood make sure that the mounting screws are driven into the framing and not just the drywall. It may be necessary to drill additional holes in the canopy for proper alignment.



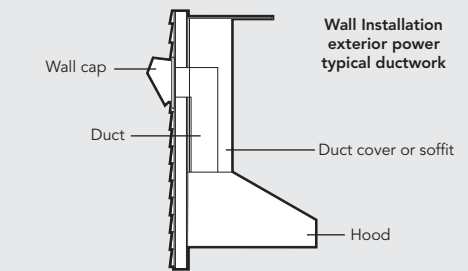
300 or 600 CFM  
single blower  
interior-power  
typical ductwork



1200 CFM  
single blower  
interior power  
typical ductwork



900, 1200, or  
1500 CFM  
exterior power  
typical ductwork



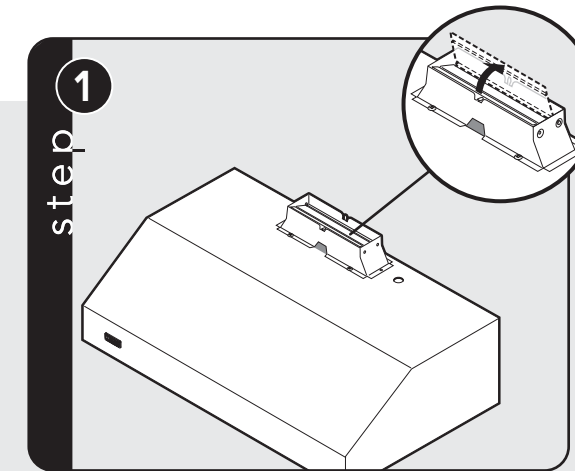
Wall Installation  
exterior power  
typical ductwork

**NOTE:** Wall exhaust must be a minimum of 24" (61.0 cm) from ground. This may vary depending on local codes and geographic location.

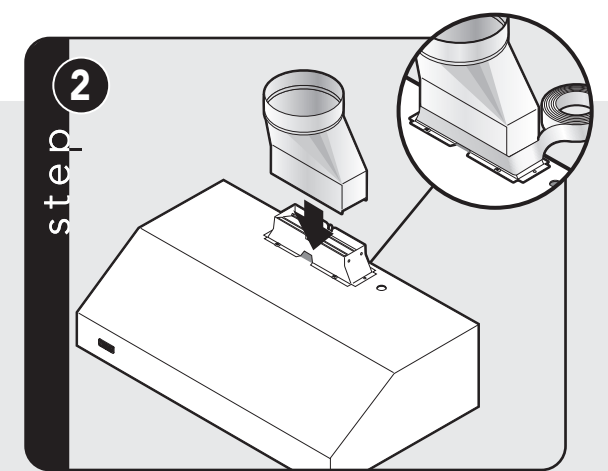
## Electrical Supply

Run 120 VAC electrical wiring from service panel to installation location. See Specifications pages for the maximum amp requirements.

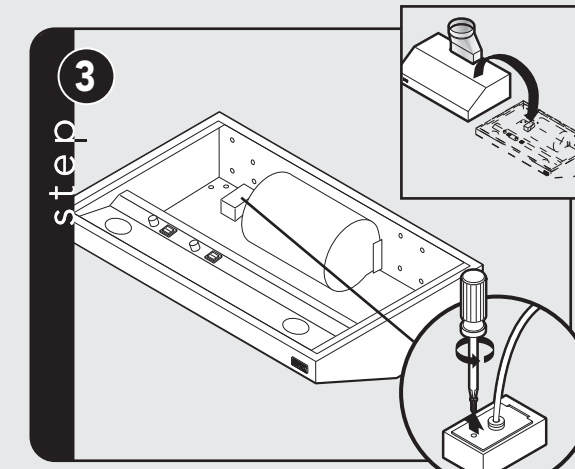
## Installation (VWH 10"H. Wall Hoods w/Standard Ventilator)



Check damper for unrestricted movement, adjust if necessary.



Attach transition to damper. Seal with aluminum tape.

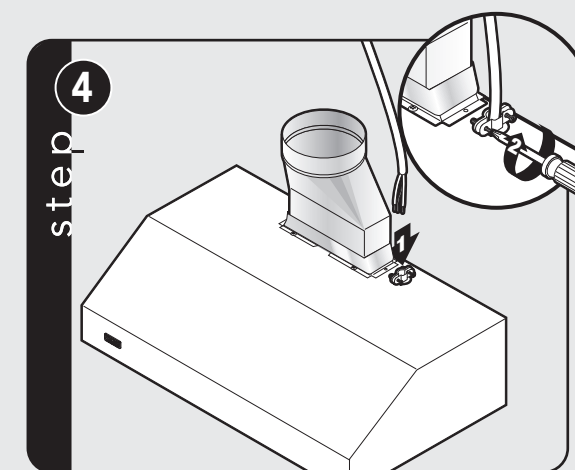


Flip hood over and remove electrical box cover.

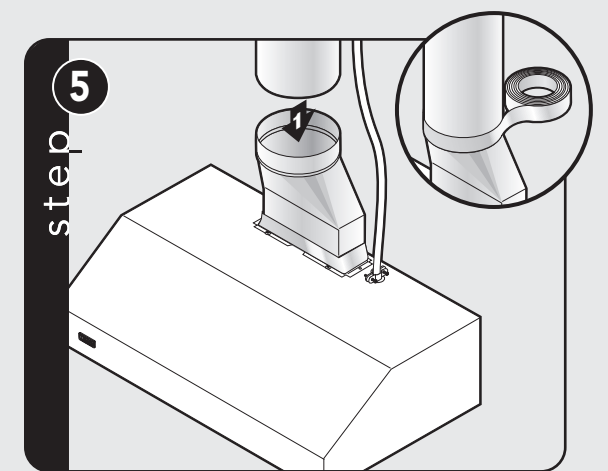
⚠ WARNING

To reduce the risk of fire, electric shock, or injury to persons, observe the following:

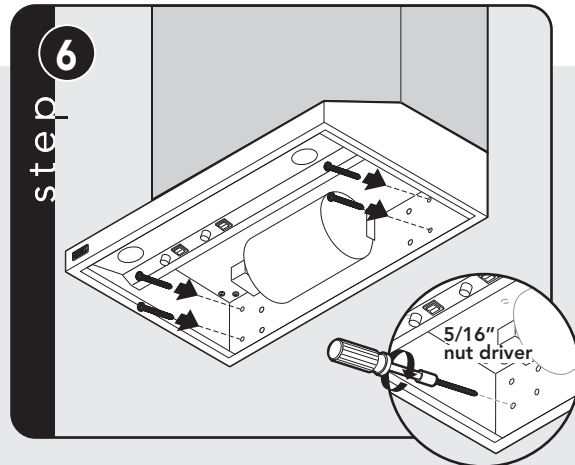
- Use this unit only in the manner intended by the manufacturer. If you have any questions, contact the manufacturer.
- Before servicing or cleaning unit, switch power off at service panel and lock service panel to prevent power from being switched on accidentally. When the service disconnecting means cannot be locked, securely fasten a prominent warning device, such as a tag, to the service panel.



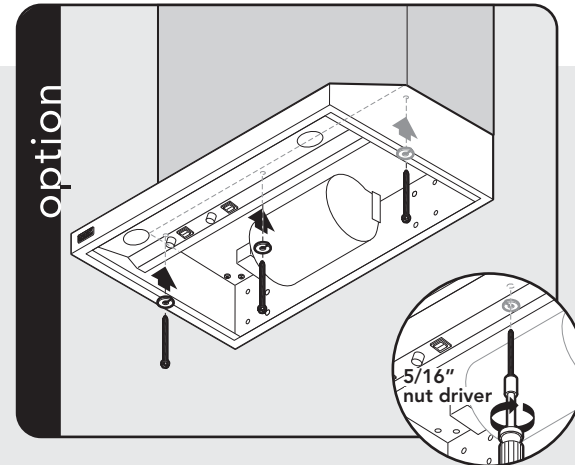
Insert 6" of electrical wiring through the top of vent hood and secure using wiring restraint. Refer to local codes.



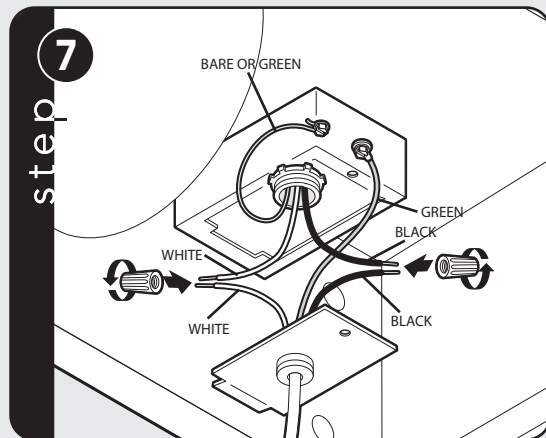
Slide duct over transition and tape around joint.



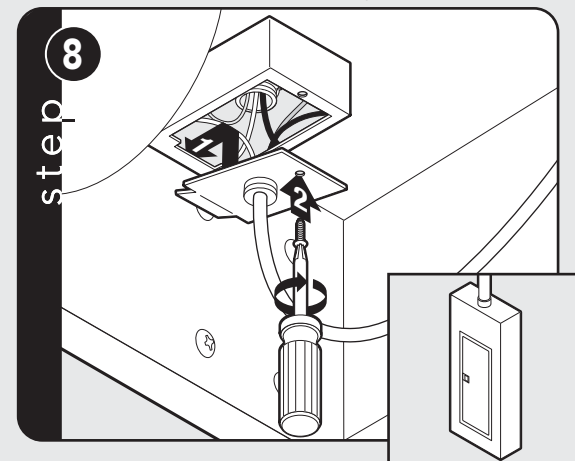
**CAUTION:** Secure vent hood to wall using screws provided. Use additional mounting screws and wall anchors, if necessary.



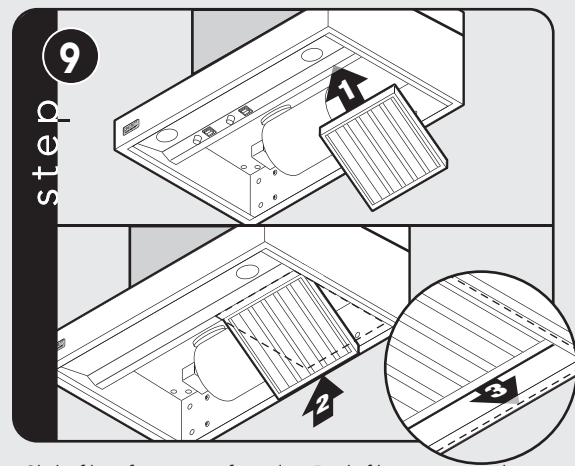
**CAUTION:** If not using a duct cover, using screws provided, make sure top mounting screws are secured into soffit or cabinet framing. Use additional mounting screws, if necessary.



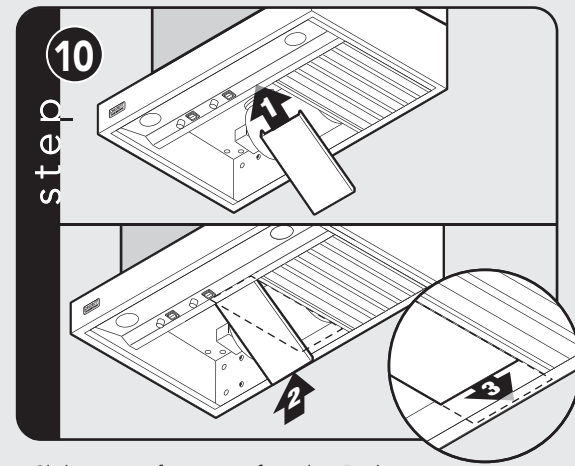
Connect black to black, white to white, and the green/bare wire under the green screw.  
**NOTE:** Housing wiring must be properly installed for wiring to be correct when wiring unit.



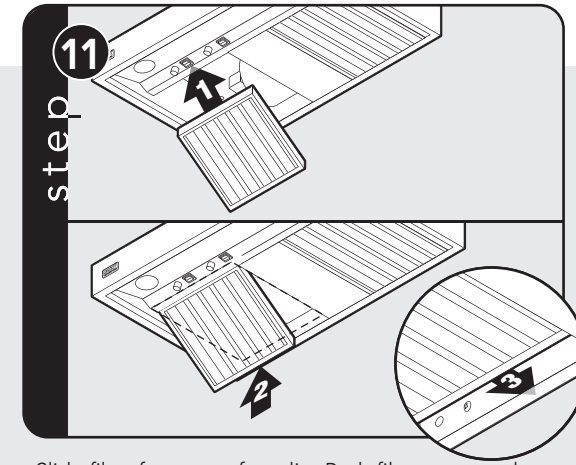
Replace electrical box cover. Make connection to breaker box.



Slide filter front over front lip. Push filter rear up, then slide back over rear lip.

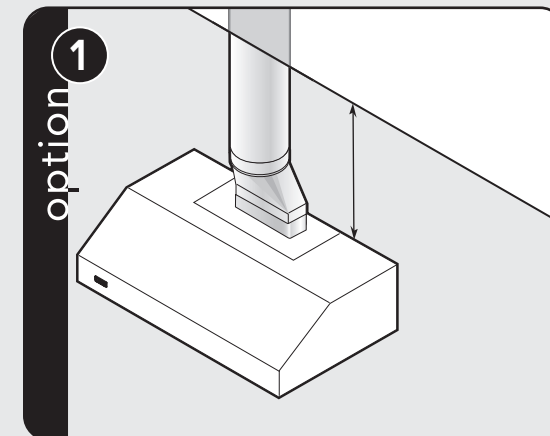


Slide spacer front over front lip. Push spacer rear up, then slide back over rear lip.

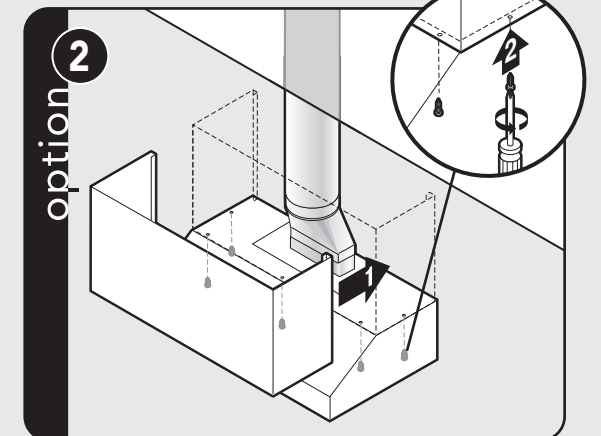


Slide filter front over front lip. Push filter rear up, then slide back over rear lip.

### Duct Cover Option (WH 10"H. Wall Hoods w/Standard Ventilator)

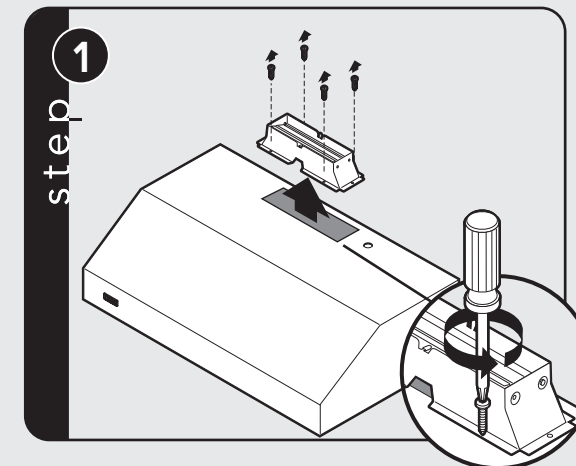


Measure distance from ceiling to canopy.

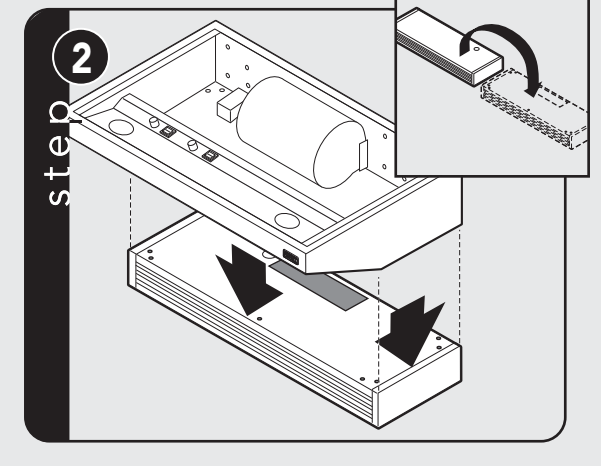


Slide the duct cover in place and fasten from inside canopy using the sheet metal screws provided.

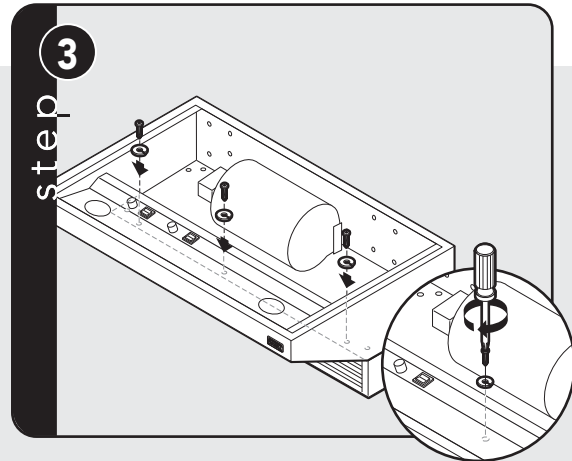
### Installation (WH 10"H. Wall Hoods w/Recirculating Kit)



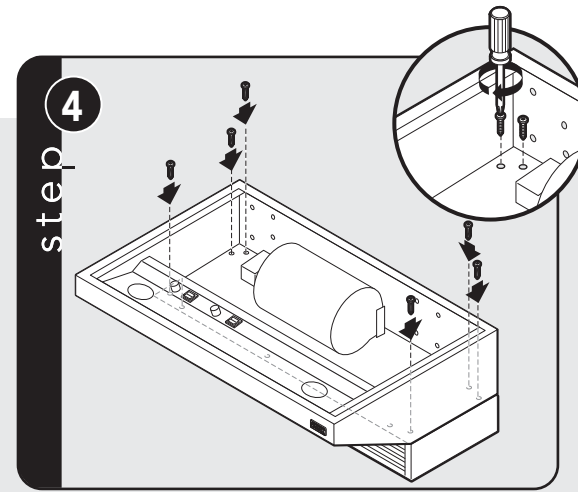
Remove damper and discard with transition.



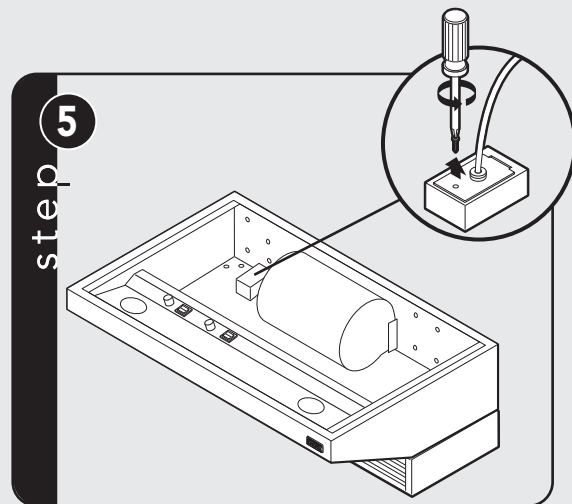
Turn recirculating unit upside down. Place vent hood upside down on recirculating unit.



Attach with screws and lock washers provided.



Attach with screws.

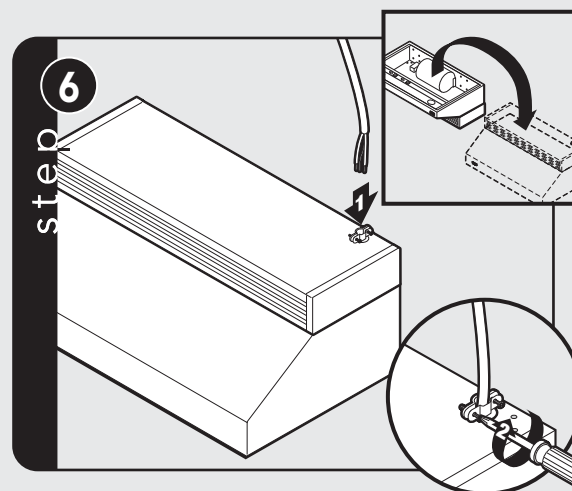


Remove electrical box cover.

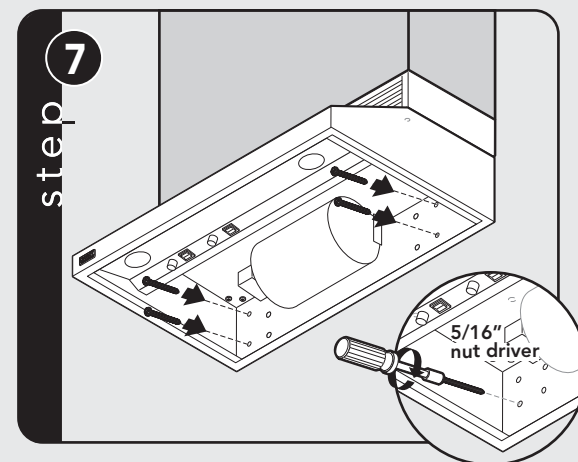
**⚠ WARNING**

To reduce the risk of fire, electric shock, or injury to persons, observe the following:

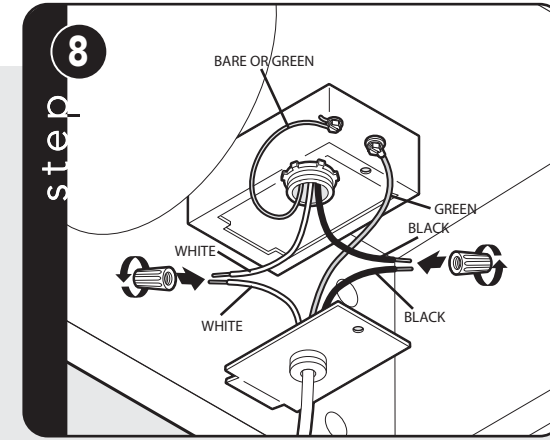
- Use this unit only in the manner intended by the manufacturer. If you have any questions, contact the manufacturer.
- Before servicing or cleaning unit, switch power off at service panel and lock service panel to prevent power from being switched on accidentally. When the service disconnecting means cannot be locked, securely fasten a prominent warning device, such as a tag, to the service panel.



Flip hood over. Insert 6" of electrical wiring through the top of vent hood and secure. Refer to local codes.

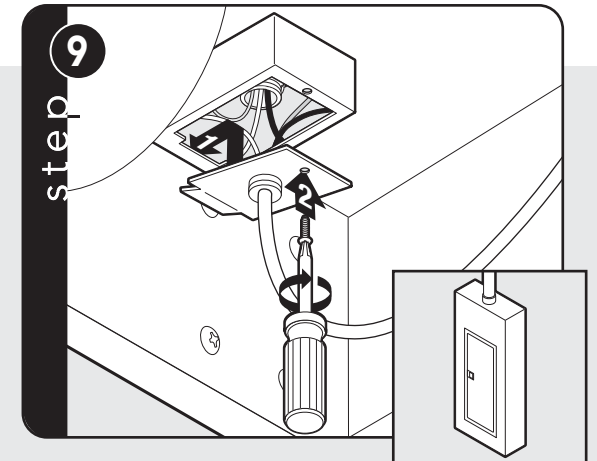


**CAUTION:** Secure vent hood. Make sure mounting screws are secured into framing. Use additional mounting screws and wall anchors, if necessary.

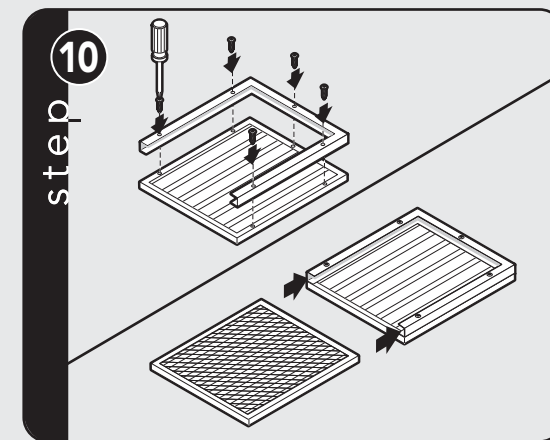


Connect black to black, white to white, and the green/bare wire under the green screw.

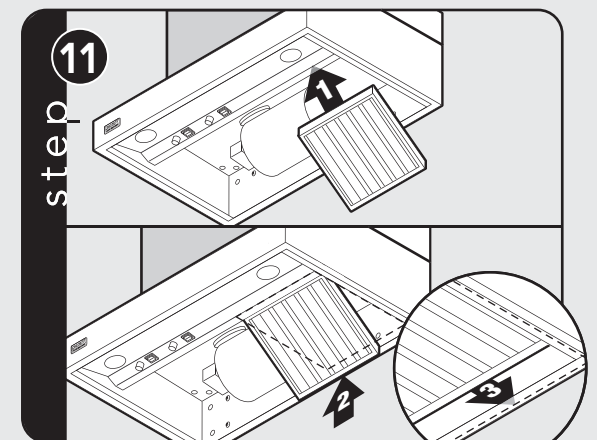
**NOTE:** Housing wiring must be properly installed for wiring to be correct when wiring unit.



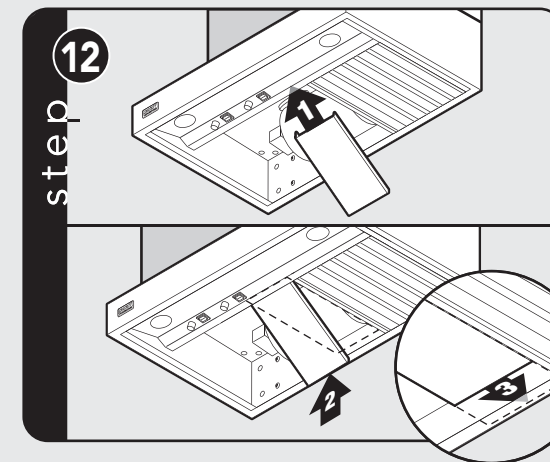
Replace electrical box cover. Make connection to breaker box.



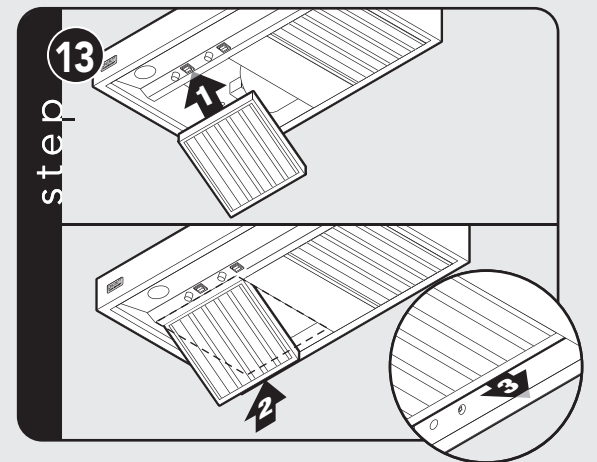
Assemble brackets to baffles and insert charcoal filters.



Slide filter front over front lip. Push filter rear up, then slide back over rear lip.

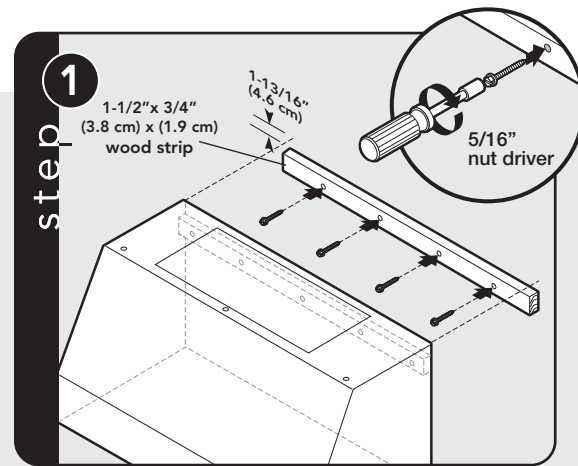


Slide spacer front over front lip. Push spacer rear up, then slide back over rear lip.

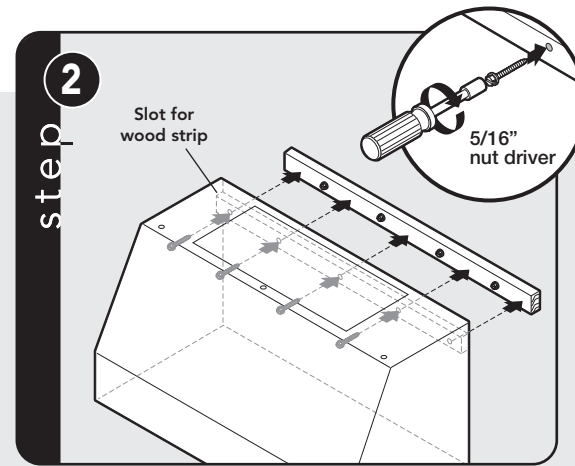


Slide filter front over front lip. Push filter rear up, then slide back over rear lip.

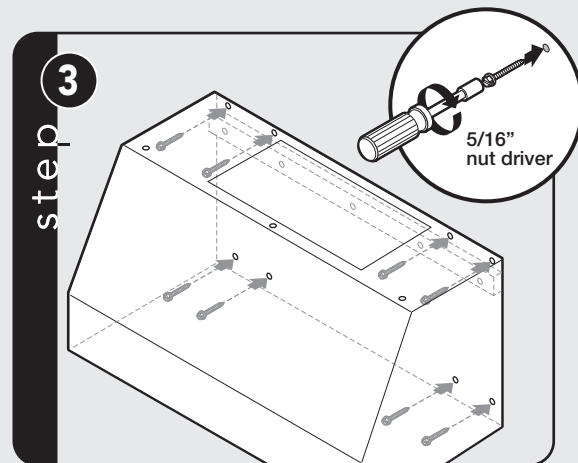
## Installation (VWH 18"H. Wall & VCWH Chimney Wall Hoods)



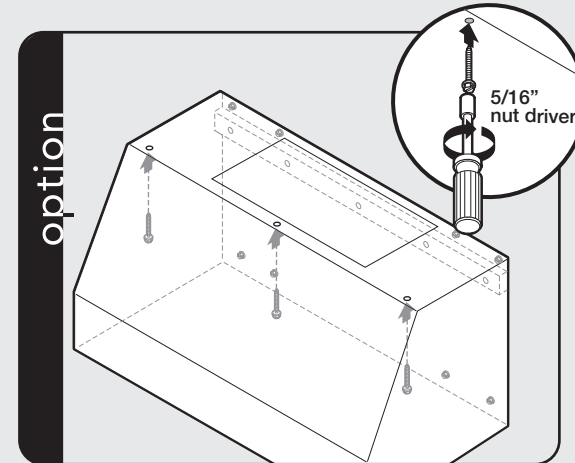
Measure down 1-13/16 (4.6 cm) from desired height of hood and secure 1-1/2" x 3/4" wood strip (provided locally) to wall using screws provided.



Use additional mounting screws to secure hood to wood strip.

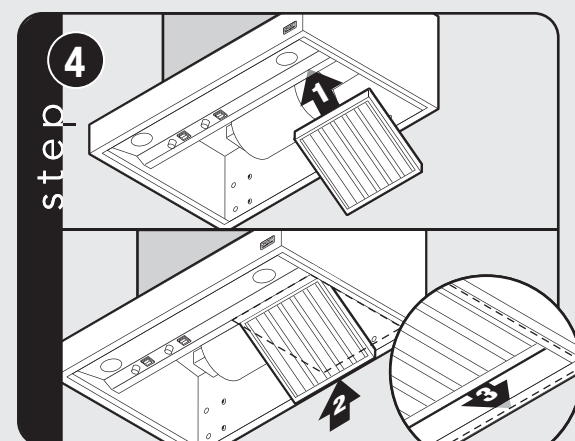


**CAUTION:** Secure vent hood to wall using screws provided. Use additional mounting screws and wall anchors, if necessary.

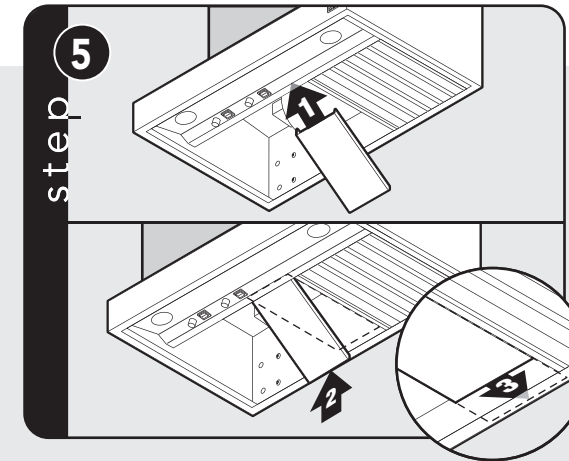


**CAUTION:** If not using a duct cover, using screws provided, make sure top mounting screws are secured into soffit or cabinet framing use additional mounting screws, if necessary.

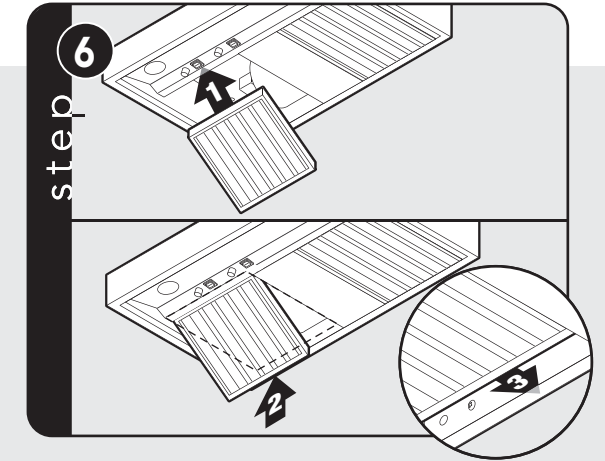
To install ventillation kit refer to ventillation kit installation instructions.



Slide filter front over front lip. Push filter rear up, then slide back over rear lip.

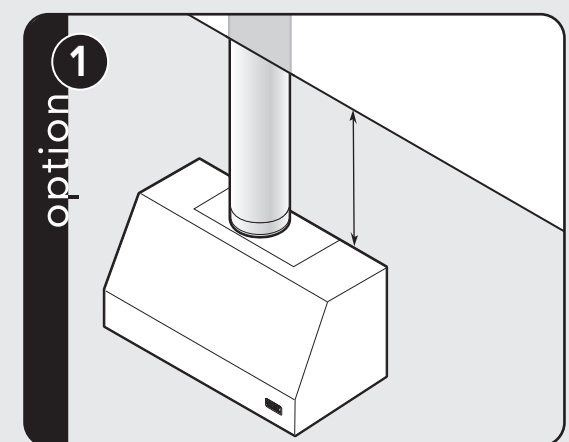


Slide spacer front over front lip. Push spacer rear up, then slide back over rear lip.

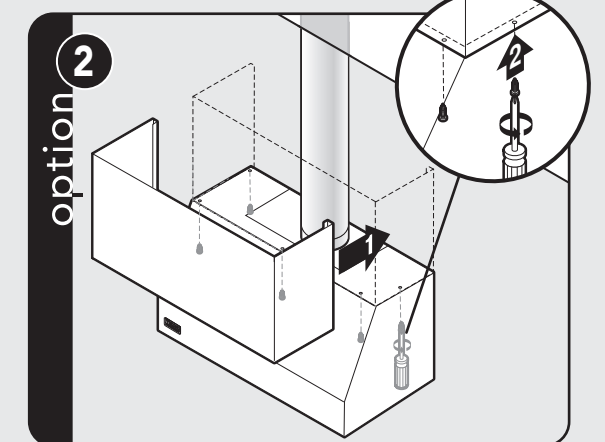


Slide filter front over front lip. Push filter rear up, then slide back over rear lip.

## Duct Cover Option (VWH 18"H. Wall Hoods)

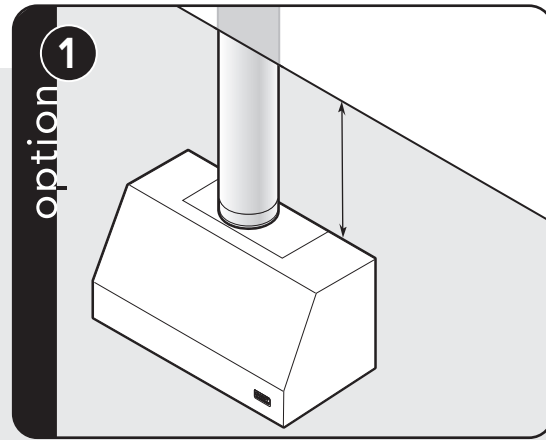


Measure distance from ceiling to canopy.

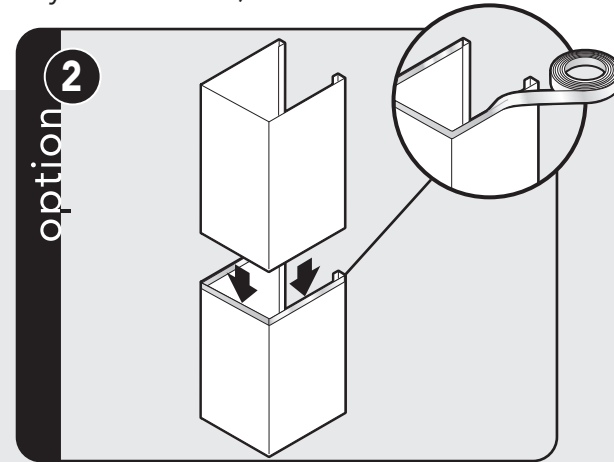


Slide the duct cover in place and fasten from inside canopy using the sheet metal screws provided.

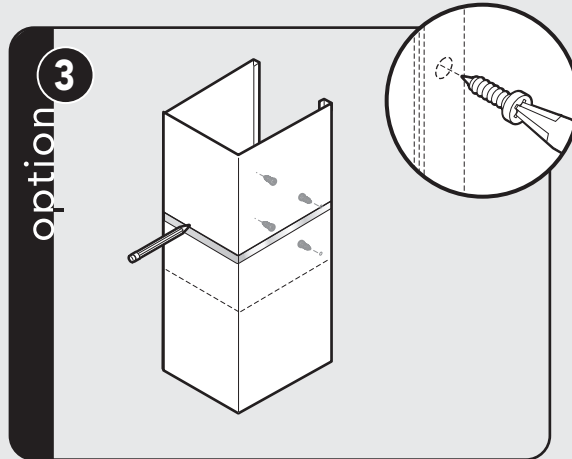
## Duct Cover Option (VCWH Chimney Wall Hoods)



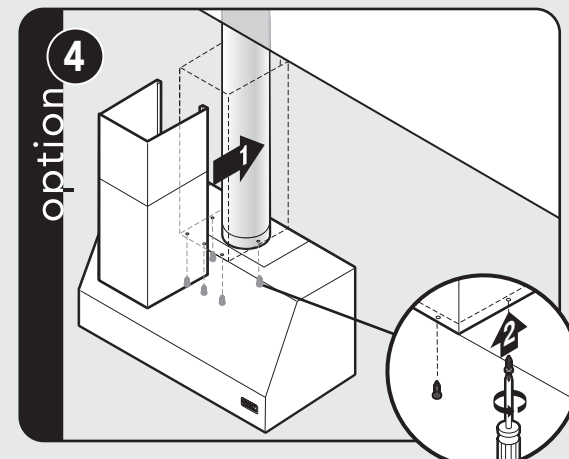
option 1  
Measure distance from ceiling to canopy.



option 2  
Tape to avoid scratching.

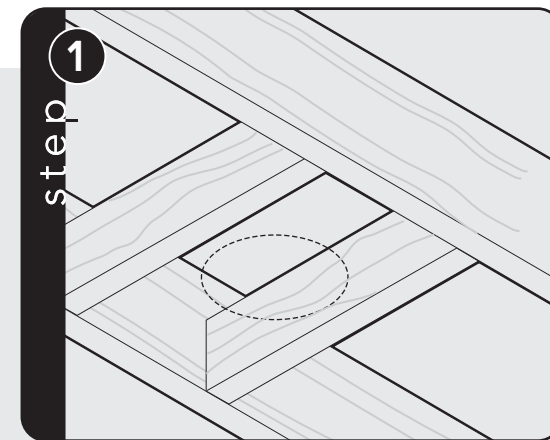


option 3  
Place duct cover top inside duct cover base and lower until desired height is found. Mark height. Use the retaining nuts and bolts to fasten in place and remove tape.

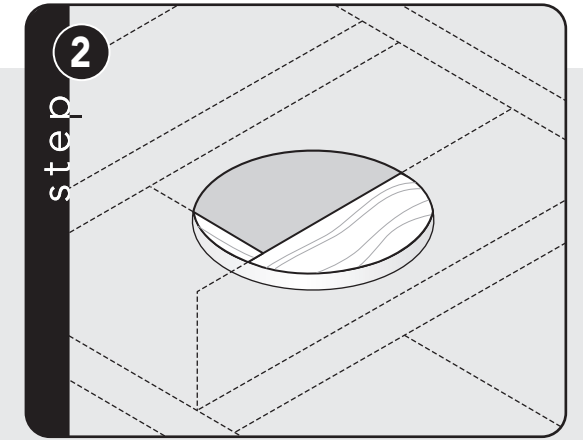


option 4  
Slide the duct cover in place and fasten from inside canopy using the sheet metal screws provided.

## Installation (VIH/VCIH Island Hoods)



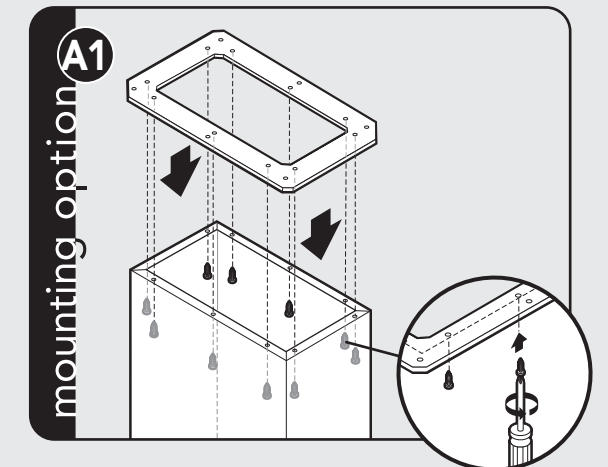
step 1  
Check framing where cutout will be.  
**NOTE: 200 lb. limit.**



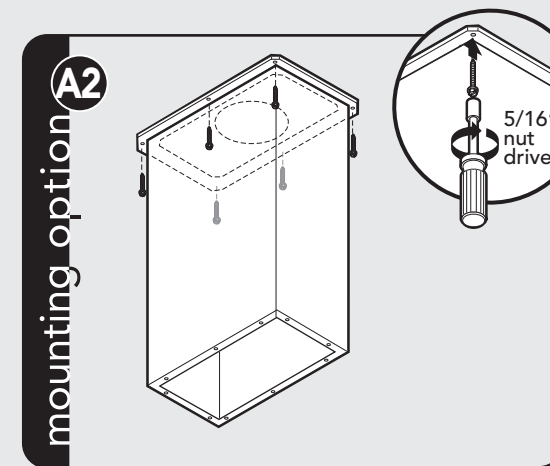
step 2  
Cut appropriate size hole in ceiling. Either 7" or 10" depending on your specific unit and ventilator kit.

**Mounting options:**

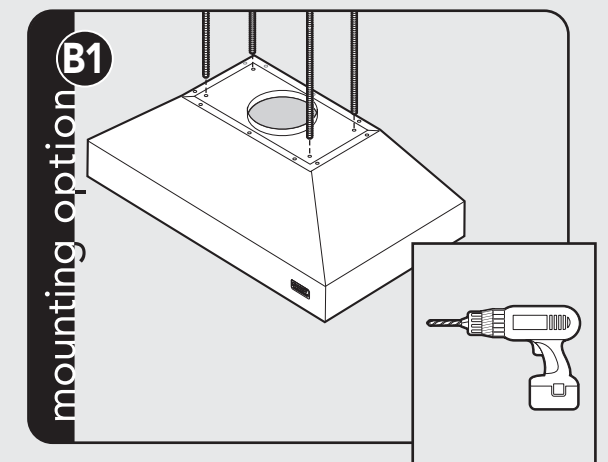
- Using duct cover with ceiling mounting bracket. (Option A - VCIH only)
- Using threaded rod for additional support. (Option B)
- Attaching hood directly to soffit or duct cover. (Skip to step 3)



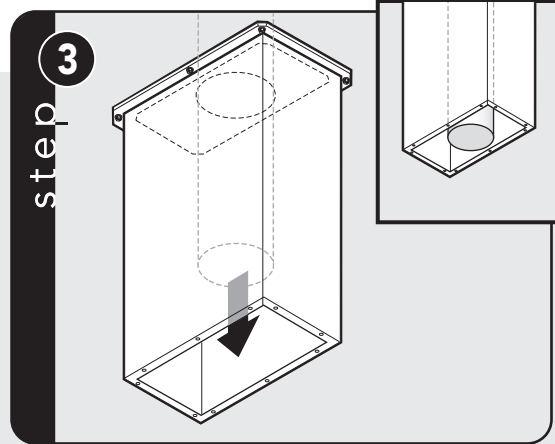
mounting option A1  
Attach duct cover to optional ceiling mounting bracket.



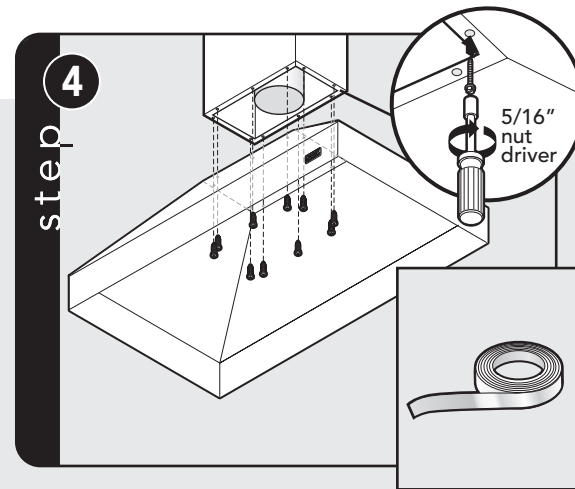
mounting option A2  
Attach duct cover to ceiling. The ceiling bracket can be hidden by using a locally supplied trim.



mounting option B1  
Additional support option. Drill holes in all four corners for threaded rod and run rods from hood to ceiling.

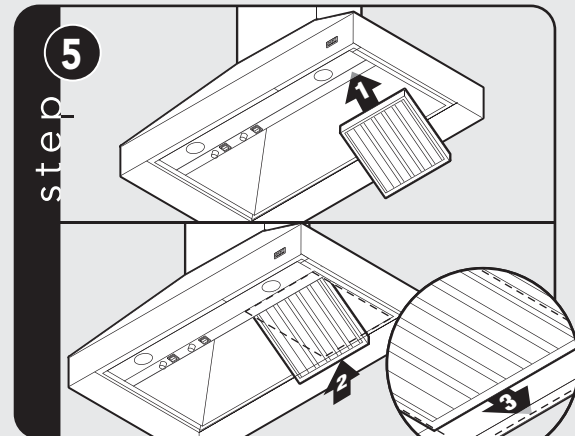


Run duct work down to bottom edge of duct cover/soffit and secure in place. Make sure the duct does not stick down past the cover.

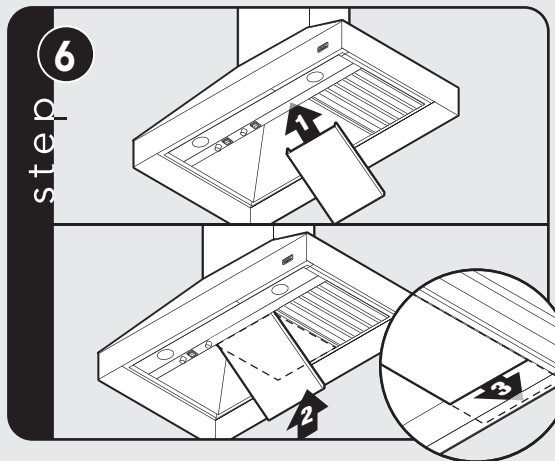


Attach canopy to duct cover/soffit. Seal top of hood to duct with aluminum tape.

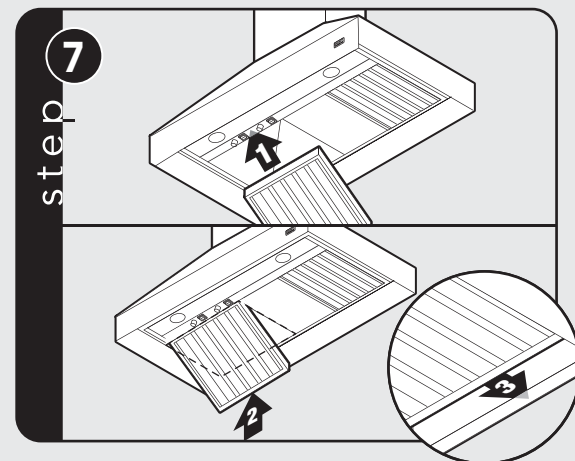
To install ventillation kit refer to ventillation kit installation instructions.



Slide filter front over front lip. Push filter rear up, then slide back over rear lip.



Slide spacer front over front lip. Push spacer rear up, then slide back over rear lip. **NOTE:** Number of spacers and baffles may vary by model.



Slide filter front over front lip. Push filter rear up, then slide back over rear lip.

## Service & Registration

### Service & Parts

Only authorized replacement parts may be used in performing service on the appliance. Do not repair or replace any part of the appliance unless specifically recommended in the manual. All other servicing should be referred to a qualified technician.

Record the following information indicated below. You will need it if service is ever required. The serial number and model number for your appliance are located on the identification plate mounted on the inside of the hood canopy.

Model number

\_\_\_\_\_

Serial number

\_\_\_\_\_

Date of purchase

\_\_\_\_\_

Date installed

\_\_\_\_\_

Dealer's name

\_\_\_\_\_

Address

\_\_\_\_\_



# Wiring Diagram

## PROFESSIONAL BUILT-IN HOODS

