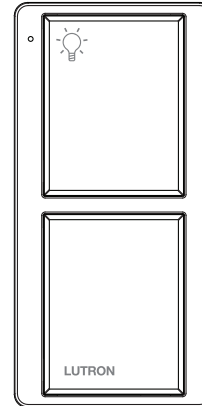


Pico® Wireless Control and Pedestal

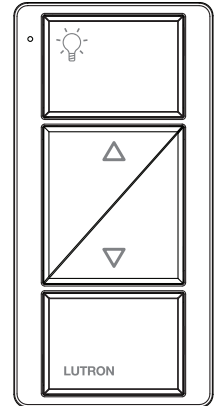
The Pico® wireless control is a flexible and easy to use device that allows the user to control Maestro Wireless® dimmers, lamp dimmers, and switches. The Pico® wireless control can function as a tabletop control on a pedestal, a lightweight handheld remote, a control clipped to a car visor, or it can be wall-mounted with or without a Lutron® Claro® faceplate, to mimic a traditional keypad. The battery operated control requires no external power or communication wiring.

Features

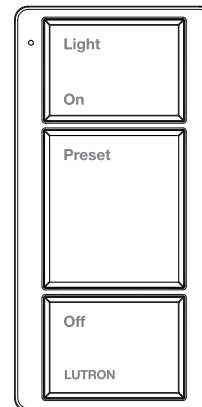
- Provides control for Maestro Wireless® dimmers and switches, allowing users to:
 - Raise and lower lighting levels (MRF2-3BRL-L, MRF2-2BRL-L)
 - Recall favorite lighting levels
- Control available in 8 colors to suit a variety of applications
- Easy configuration for use as a handheld control, car visor control, wall-mount control, or table top control with use of the optional pedestal
- Simply installed in a 1-gang, 2-gang or multi-gang installation with the included wall mount adapter and mounting template
- Tabletop pedestal available in black and white
- Battery powered control requires no wiring
- Control provided with the battery included
- Can provide control to up to ten (10) Maestro Wireless® dimmers, switches and lamp dimmers within a 100 ft (30 m) line of sight or 30 ft (9 m) through walls range



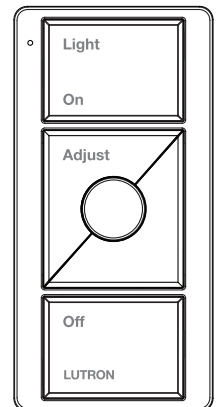
MRF2-2B-L-XX



MRF2-2BRL-L-XX



MRF2-3B-L-XX



MRF2-3BRL-L-XX

Model Numbers

Pico® wireless controls

- MRF2-3BRL-L-XX 3 buttons with Raise/Lower
- MRF2-3B-L-XX 3 buttons with Preset Button
- MRF2-2BRL-L-XX 2 buttons with Raise/Lower
- MRF2-2B-L-XX 2 buttons

Pedestals

- L-PED1-XX Single pedestal
- L-PED2-XX Double pedestal

“XX” in the model number represents color/finish code.

<p>Job Name:</p> <p>Job Number:</p>	<p>Model Numbers:</p>
--	------------------------------

Specifications

Standards

- FCC Approved. Complies with the limits for a Class B digital device, pursuant to Part 15 of the FCC Rules
- Industry Canada Certified

Power

- Operating Voltage 3 V_{DC}
- (1) CR2032 Battery (included)

Key Design Features

- Configurable for use as a handheld control, car visor control, wall-mount control, or table top control, with the use of the optional pedestal
- Fits inside a Lutron® Claro® wallplate or standard designer wallplate opening
- Can be wall mounted in a variety of configurations
 - Alone without a wallplate
 - Alone within a 1-gang wallplate
 - With another Pico® wireless control in a 2-gang or multi-gang wallplate
 - With other designer style devices in a 2-gang or multi-gang wallplate
- For easy mounting to a wall use PICO-FP-ADAPT
- Optional pedestal is available for converting the Pico® wireless control to a tabletop control
- 5-year battery life

System Communication and Capacity

- Pico® wireless controls communicate with Maestro Wireless® dimmers and switches with radio frequency (RF) at 434 MHz FM
- Unique serial number prevents interference between systems
- Pico® wireless controls can be assigned to control up to ten (10) Maestro Wireless® dimmers, switches and lamp dimmers that are within a 100 ft (30 m) line of sight or 30 ft (9 m) through walls range

Environment

- Ambient operating temperature: 32 °F to 140 °F (0 °C to 60 °C)

Warranty

- 1-year limited warranty

Color/Finish Codes

Pico® wireless control

Gloss Colors	Code
White/Gray*	WG
White	WH
Ivory	IV
Almond	AL
Light Almond	LA
Black	BL
Gray	GR
Brown	BR

* **Note:** On the MRF2-3BRL-L White/Gray Pico® wireless control, the preset button is silver, the top and raise button are white, and the bottom and lower buttons are gray. On the MRF2-2BRL-L White/Gray Pico® wireless control, the top and raise button are white, and the bottom and lower buttons are gray. On the MRF2-3B-L and MRF2-2B-L White/Gray Pico® wireless controls, the top button is white and the preset and/or bottom buttons are gray. All other models have uniform button colors.

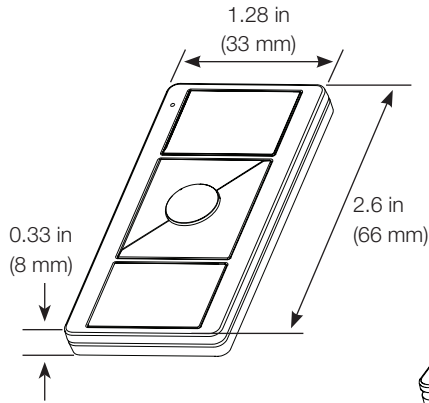
Pedestal

Gloss Colors	Code
White	WH
Black	BL

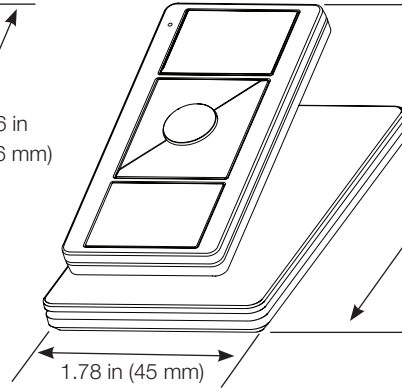
Job Name:	Model Numbers:
Job Number:	

Dimensions

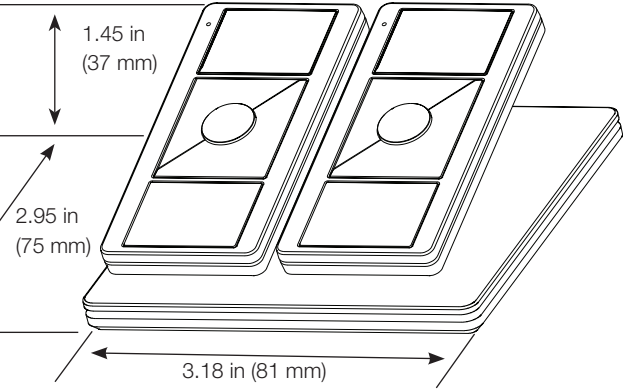
Pico® wireless control



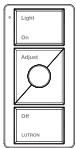
Single Pedestal



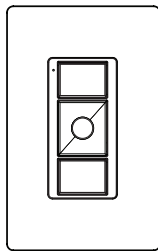
Double Pedestal



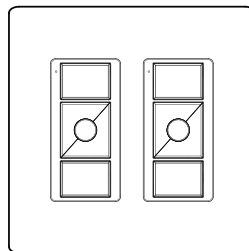
Wall Mounting Configurations:



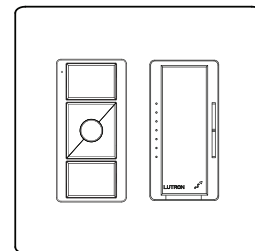
Pico® wireless control without a wallplate



Pico® wireless control with a 1-gang wallplate



Two Pico® wireless controls with a 2-gang wallplate



Pico® wireless control and existing device with a 2-gang wallplate

Claro® Wallplate Models

<u>Model</u>	<u>Configuration</u>
CW-1-XX	1-gang
CW-2-XX	2-gang
CW-3-XX	3-gang
CW-4-XX	4-gang

Claro® Wallplate Colors

<u>Color</u>	<u>Color Code</u>
White	WH
Ivory	IV
Almond	AL
Light Almond	LA
Black	BL
Gray	GR
Brown	BR

Job Name:	Model Numbers:
Job Number:	