

COMBINATION INSTALLATIONS



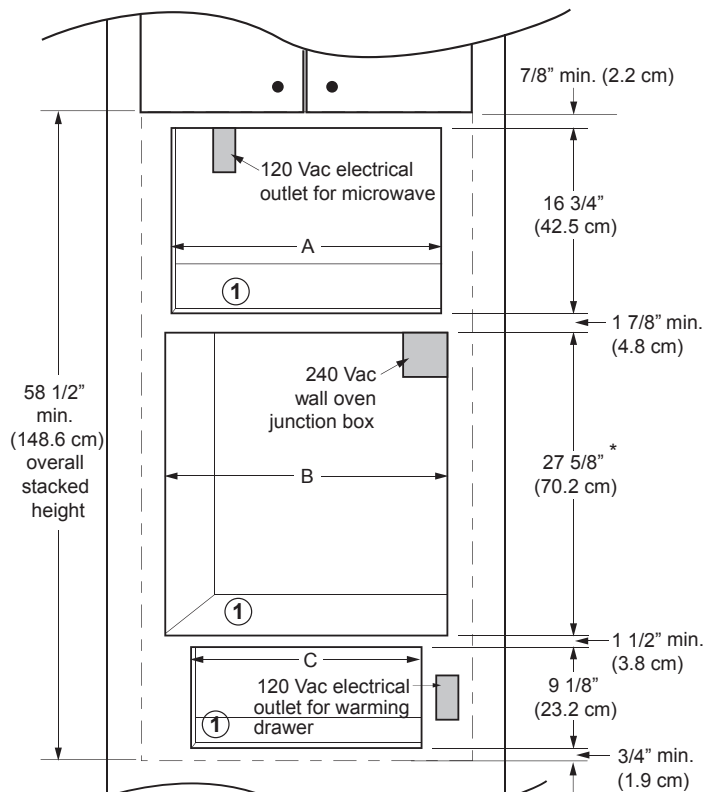
Microwave/DO, EORS, MORS, RO or ROV Wall Oven/Warming Drawer

PLANNING GUIDE

All tolerances: +1/16" (+1.6 mm), -0, unless otherwise stated

WARNING

- Observe all governing codes and ordinances during planning and installation. Contact your local building department for further information.
- All appliances must be installed in accordance with the accompanying installation instructions.



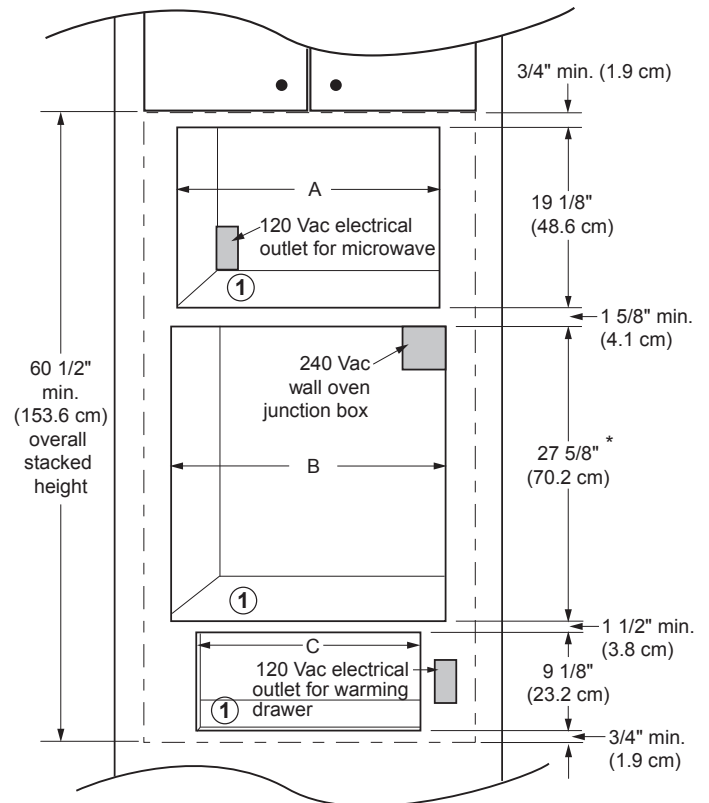
*26 7/8" (68.3 cm) for RO series wall ovens

**CUTOUT DIMENSIONS
DMT2420/DMW2420 SHOWN**

NOTE:

1. 3/4" (1.9 cm) support platform (flush with cutout).
2. See individual appliance Planning Guide pages to determine overlays.
3. Spacing between appliances and drawers/doors shown is minimum required to allow for ventilation and prevent scraping. Additional space may need to be added for appearance.
4. Warming drawer model OWD24 is not approved for installation above, below or adjacent to a wall oven or another warming drawer (any type).

Microwave Model No.	(A) Cutout Width
DMT2420 or DMW2420 w/AMTK series trim kit	24 3/8" (61.9 cm)
DCM24 w/ACTK27 trim kit	25 1/4" (64.1 cm)
DCM24 w/ACTK30 trim kit	28 1/4" (71.8 cm)
DCM24 w/ACTK36 trim kit	25" (63.5 cm)



*26 7/8" (68.3 cm) for RO series wall ovens

**CUTOUT DIMENSIONS
DCM24 SHOWN**

Wall Oven Models	(B) Cutout Width
Single 27"	25 1/2" (64.8 cm)
Single 30"	28 1/2" (72.4 cm)
Single 36"	34 1/2" (87.6 cm)

Warming Drawer Models	(C) Cutout Width
27"	25 1/2" (64.8 cm)
30"	28 1/2" (72.4 cm)